

ACCESSORY HANDLES AND DIALS

---

# PLANNING GUIDE

---

MINIMAL | Handles

CONTEMPORARY | Handles

PROFESSIONAL | Handles and Dials

# CONTENTS | ACCESSORY HANDLES AND DIALS

## INTRODUCTION

This comprehensive planning guide provides you with the framework and tools to achieve your desired design outcome with Fisher & Paykel appliances. In this guide, you will find a range of conceptual, detailed, and dimensional product information to bring your ideas to life and create spaces that truly reflect your vision.

## SUPPORT

For additional design planning and installation support please contact the Fisher & Paykel design support team.  
**designsupport@fisherpaykel.com**

## NOTES

The models shown in this Planning Guide may not be available in all markets and are subject to change at any time. Refer to our website [fisherpaykel.com](http://fisherpaykel.com) for the latest document version. Product specifications may vary from those shown.  
 This Planning Guide should not be used as installation guidance for any product. Specific installation guidance will be available with the product on delivery and on our website.

## CONCEPT DESIGN

PAGE

### DESIGN CHOICE

- Accessory Compatibility
- Accessory Availability

**4**  
**5**

## DEVELOPED AND DETAILED DESIGN

PAGE

### DISHWASHING

- Model Codes - Dishwashing
- Data Sheet

**7**  
**8**

### COOLING

- Model Codes - Single Door and Double Door **10**
- Model Codes - Triple Door, Undercounter and Cooldrawer™ **11**
- Data Sheet - Single Door Handles **12**
- Data Sheet - Double Door Handle Kits 2134mm **13**
- Data Sheet - Double Door Handle Kits 2134mm **14**
- Data Sheet - Double Door Handle Kits 2134mm **15**
- Data Sheet - Double Door Handle Kits 2030mm **16**
- Data Sheet - Double Door Handle Kits 1772mm **17**
- Data Sheet - Triple Door Handle Kits 2134mm **18**
- Data Sheet - Triple Door Handle Kits 1798mm **19**
- Data Sheet - Triple Door Handle Kits 1798mm **20**
- Data Sheet - Undercounter **21**
- Data Sheet - Cooldrawer™ **22**

## DEVELOPED AND DETAILED DESIGN

PAGE

## DESIGN CHOICE

**ACCESSORY COMPATIBILITY**

This overview outlines compatible product combinations based on available handle and dial accessories. Products without handles or dials can also be added to the combinations. See individual product pages on fisherpaykel.com for full product details.

✓ = Handle/dial accessories available to match with Cooking, Dishwashing and Cooling products.

○ = Supplied with the product as standard.

		COOKING			DISHWASHING		COOLING	
		76cm Ovens & Companions	60cm Ovens & Companions	Freestanding Cookers	Integrated	Built Under	Integrated	Freestanding
<b>MINIMAL HANDLES</b>	● Black	○	○	-	✓	-	✓	-
	● Grey	○	○	-	✓	-	-	-
<b>CONTEMPORARY HANDLES</b>	● Black	○	○	-	✓	-	-	-
	● Silver	○	○	-	✓	○	✓	○
<b>PROFESSIONAL HANDLES, DIALS AND BEZELS</b>	○ Stainless Steel	○	-	○	✓	-	✓	-
	● Gun Metal*	-	-	○	-	-	-	-

\*Bezels are fixed to the product and are supplied in gunmetal.

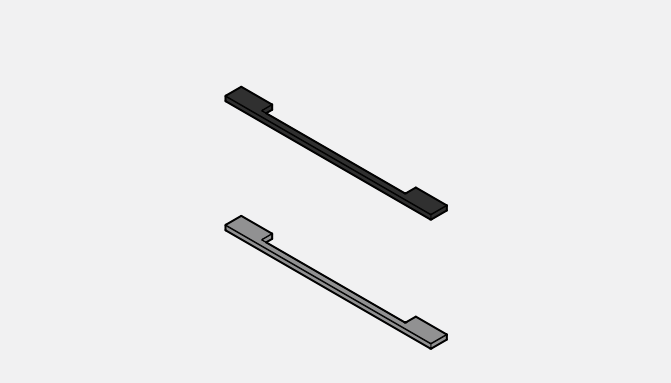
Note: Not all models are available in all markets.

The models shown in this Planning Guide may not be available in all markets and are subject to change at any time. Product specifications may vary from those shown. This Planning Guide should not be used as installation guidance for any product. Further information is required to safely and correctly install the products featured here. Specific installation guidance will be available with the product on delivery and on our website fisherpaykel.com

ACCESSORY AVAILABILITY

**MINIMAL**

Square handle



**INTEGRATED DISHWASHING**

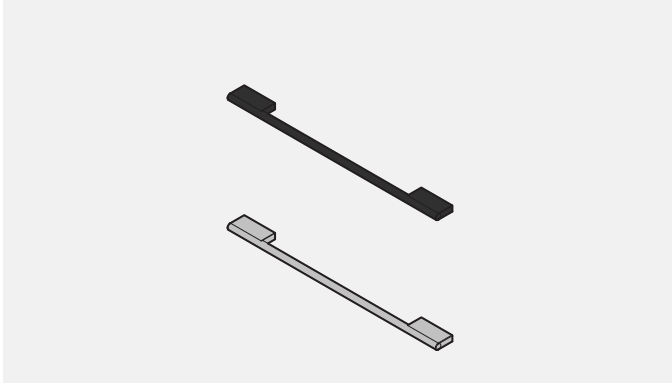
- Black
- Grey

**INTEGRATED REFRIGERATION**

- Black

**CONTEMPORARY**

Round handle



**INTEGRATED DISHWASHING**

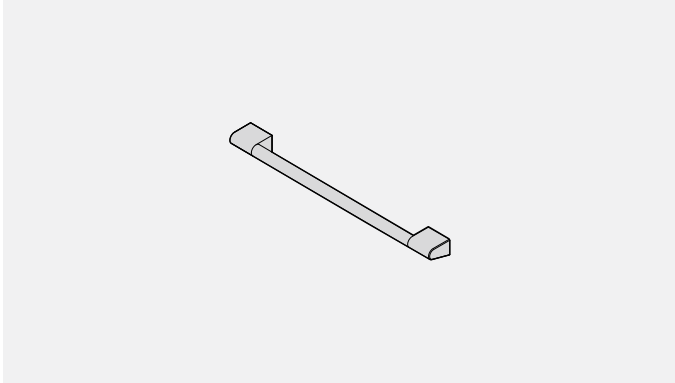
- Black
- Silver

**INTEGRATED REFRIGERATION**

- Silver

**PROFESSIONAL**

Handle



**INTEGRATED DISHWASHING**

- Stainless Steel

**INTEGRATED REFRIGERATION**

- Stainless Steel

Note: Purchase accessory online for integrated products, replacing supplied handles/dials or for cabinetry panels.

The models shown in this Planning Guide may not be available in all markets and are subject to change at any time. Product specifications may vary from those shown. This Planning Guide should not be used as installation guidance for any product. Further information is required to safely and correctly install the products featured here. Specific installation guidance will be available with the product on delivery and on our website [fisherpaykel.com](http://fisherpaykel.com)

## DISHWASHING

**SINGLE DISHDRAWER DISHWASHER**



**DOUBLE DISHDRAWER DISHWASHER**



**DROP DOOR DISHWASHERS**



PRODUCT	MINIMAL	CONTEMPORARY	PROFESSIONAL
---------	---------	--------------	--------------

**SINGLE DISHDRAWER DISHWASHER**

**Integrated Single DishDrawer - Tall**  
 Series 11 - DD60STX6HI1, DD60STX6I1  
 Series 9 - DD60SHTI9, DD60STI9

AHM1DDDW60B ●	AHD7DDDW60B ●	AHP3-DWDD-SX ●
AHM1DDDW60G ●	AHD7DDDW60S ●	

**Integrated Single DishDrawer - Standard**  
 Series 9 - DD60SHI9, DD60SI9

**DOUBLE DISHDRAWER DISHWASHER\***

**Integrated Double DishDrawer - Tall**  
 Series 11 - DD60DTX6HI1, DD60DTX6I1

AHM1DDDW60B ●	AHD7DDDW60B ●	AHP3-DWDD-SX ●
AHM1DDDW60G ●	AHD7DDDW60S ●	

**Integrated Double DishDrawer - Standard**  
 Series 9 - DD60DHI9, DD60DI9

\*Double door requires 2x handles to be purchased.

**DROP DOOR DISHWASHERS**

**Integrated Dishwasher - Tall**  
 Series 9 - DW60UT4HI2, DW60UT4I2

AHM1DDDW60B ●	AHD7DDDW60B ●	AHP3-DWDD-SX ●
AHM1DDDW60G ●	AHD7DDDW60S ●	

**Integrated Dishwasher - Standard**  
 Series 7 - DW60U4HI2, DW60U4I2

Note: Not all models are available in all markets.

MINIMAL: ● = Black ● = Grey  
 CONTEMPORARY: ● = Black ● = Silver  
 PROFESSIONAL: ● = Stainless Steel

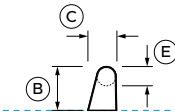
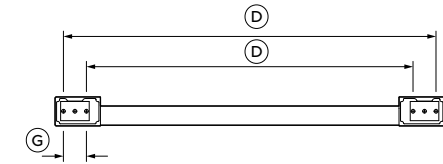
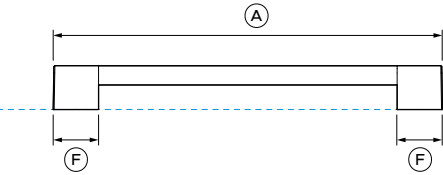
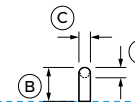
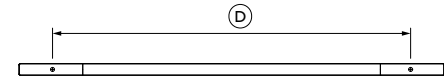
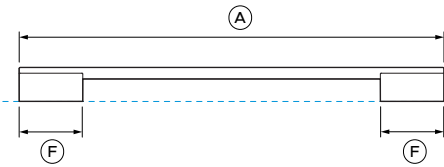
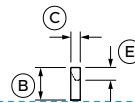
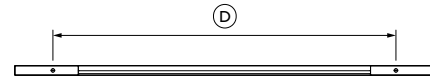
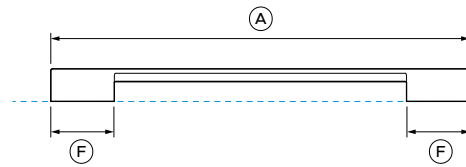
The models shown in this Planning Guide may not be available in all markets and are subject to change at any time. Product specifications may vary from those shown. This Planning Guide should not be used as installation guidance for any product. Further information is required to safely and correctly install the products featured here. Specific installation guidance will be available with the product on delivery and on our website [fisherpaykel.com](http://fisherpaykel.com)

**DISHWASHING - ALL STYLES**

Model codes comes with 1 handle.

**SCREWS**

Handles comes with M5 X 25mm Pan Head Socket Screw (2 or 4 per handle) suits standard 19mm panel. Thicker panels may require counterboring or longer screws.



**PRODUCT DIMENSIONS**

<b>A</b>	Overall length
<b>B</b>	Overall Height
<b>C</b>	Overall width
<b>D</b>	Distance between attachment holes
<b>E</b>	Thickness/diameter of handle rail
<b>F</b>	Off-stand width
<b>G</b>	Distance between holes

----- INDICATES PRODUCT DATUM

MINIMAL HANDLE	
AHM1DDDW60B, AHM1DDDW60G	
	mm
A	528
B	41
C	12
D	432
E	16
F	80
G	-

CONTEMPORARY HANDLE	
AHD7DDDW60B, AHD7DDDW60S	
	mm
A	535
B	43
C	14.5
D	432
E	14.5
F	80
G	-

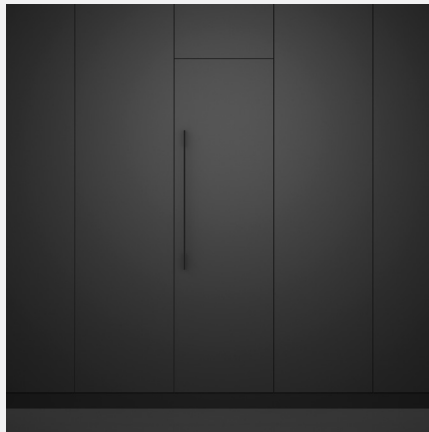
PROFESSIONAL HANDLE	
AHP3-DWDD-SX	
	mm
A	515
B	58
C	38.5
D	outer 493 inner 432
E	25.5
F	60
G	30.5

IMPORTANT NOTE: Throughout this guide, dimensions may vary by ±2mm (1/16"). Please read the installation manual for detailed information on installing the product. For full installation instructions & specifications visit [fisherpaykel.com](http://fisherpaykel.com)

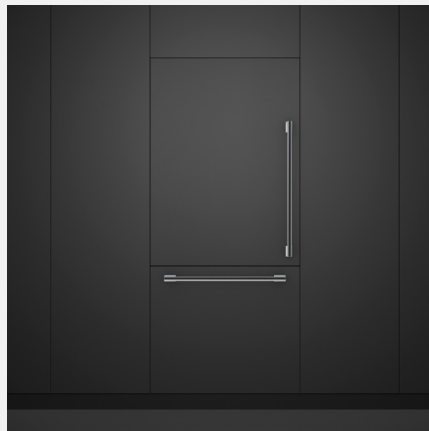
The models shown in this Planning Guide may not be available in all markets and are subject to change at any time. Product specifications may vary from those shown. This Planning Guide should not be used as installation guidance for any product. Further information is required to safely and correctly install the products featured here. Specific installation guidance will be available with the product on delivery and on our website [fisherpaykel.com](http://fisherpaykel.com)

## COOLING

**SINGLE DOOR**



**DOUBLE DOORS**



**SINGLE DOOR**

PRODUCT	MINIMAL	CONTEMPORARY	PROFESSIONAL
<b>HEIGHT 2134MM</b>			
RS6121SLHE1, RS6121SRHE1, RS7621SLHE1, RS7621SRHE1, RS4621FLJE1, RS4621FRJE1, RS6121FLJE1, RS6121FRJE1, RS7621FLJE1, RS7621FRJE1, RS6121VL2K1, RS6121VR2K1	AHM1RDSFB ●	AHD7RDSFX ●	AHP3RDSF ●
<b>HEIGHT 1870MM</b>			
RS6019S3RH1, RS6019S2R1, RS6019F2L1, RS6019F3LJ1			

**DOUBLE DOOR\***

PRODUCT	MINIMAL	CONTEMPORARY	PROFESSIONAL
<b>HEIGHT 2134MM</b>			
RS9121WRUVE1, RS9121WLUVE1	AHM1RD9121WB ●	AHD7RD9121WX ●	AHP3RD9121W ●
RS7621WLUE1, RS7621WRUE1	AHM1RM7621WB ●	AHD7RD7621WX ●	AHP3RD7621W ●
RS6121WLUE1, RS6121WRUE1	AHM1RD6121WB ●	AHD7RD6121WX ●	AHP3RD6121W ●
<b>HEIGHT 2030MM</b>			
RS9120WRU1, RS9120WRJ1, RS9120WLJ1	AHM1RD9120WB ●	AHD7RD9120WX ●	AHP3RD9120W ●
<b>HEIGHT 1772MM</b>			
RS6019BRU1	AHM1RDB19LB ** ● AHM1RDB19RB *** ●	AHD7RDB19X ●	AHP3RDB19 ●

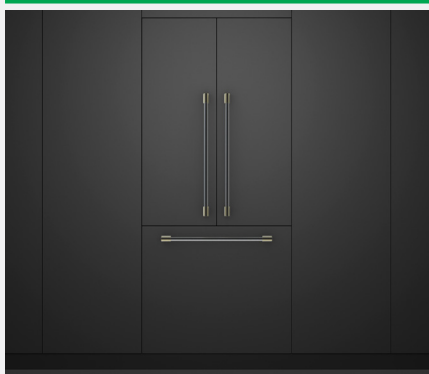
\*Handle kit comes with 2 handles. \*\*For left hinge. \*\*\*For right hinge.

Note: Not all models are available in all markets.

MINIMAL: ● = Black  
CONTEMPORARY: ● = Silver  
PROFESSIONAL: ● = Stainless Steel

The models shown in this Planning Guide may not be available in all markets and are subject to change at any time. Product specifications may vary from those shown. This Planning Guide should not be used as installation guidance for any product. Further information is required to safely and correctly install the products featured here. Specific installation guidance will be available with the product on delivery and on our website fisherpaykel.com

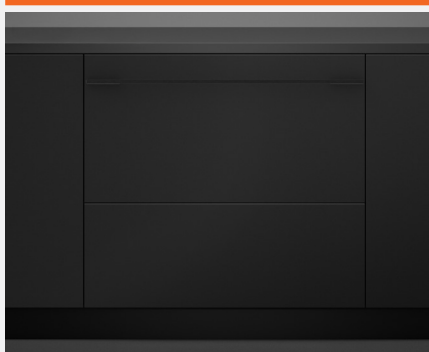
**TRIPLE DOOR**



**UNDERCOUNTER**



**COOLDRAWER™**



**TRIPLE DOOR\***

PRODUCT	MINIMAL	CONTEMPORARY	PROFESSIONAL
<b>HEIGHT 2134MM</b>			
RS9121AUVE1	AHM1RD9121AB ●	AHD7RD9121AX ●	AHP3RD9121A ●
<b>HEIGHT 1798MM</b>			
RS90AU1, RS90A1	AHM1RD90AB ●	AHD7RD90AX ●	AHP3RD90A ●
RS80AU1, RS80A1	AHM1RD80AB ●	AHD7RD80AX ●	AHP3RD80A ●

\*Handle kit comes with 3 handles.

**UNDERCOUNTER & COOLDRAWER™**

PRODUCT	MINIMAL	CONTEMPORARY	PROFESSIONAL
<b>UNDERCOUNTER</b>			
RS6009V2RT1, RS6009V2R1, RS6009SBLT1, RS6009SBL1	AHM1RD09B ●	AHD7RD09X ●	AHP3RD09 ●
<b>COOLDRAWER™</b>			
RB90S64MKIW1, RB9064S1	AHM1RD90SB ●	AHD7RD90SX ●	AHP3RD90S ●

Note: Not all models are available in all markets.

MINIMAL: ● = Black  
 CONTEMPORARY: ● = Silver  
 PROFESSIONAL: ● = Stainless Steel

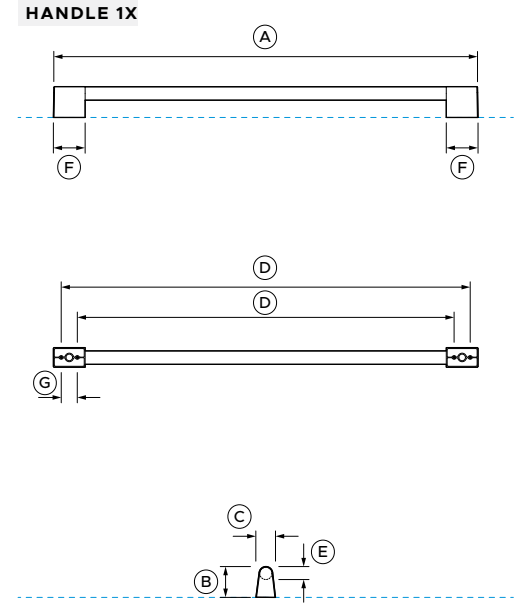
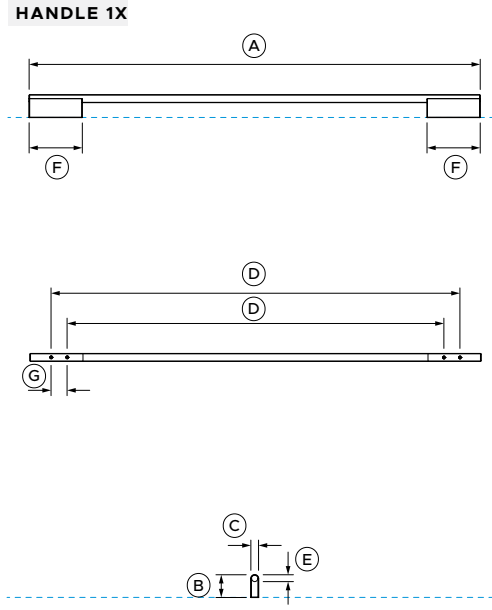
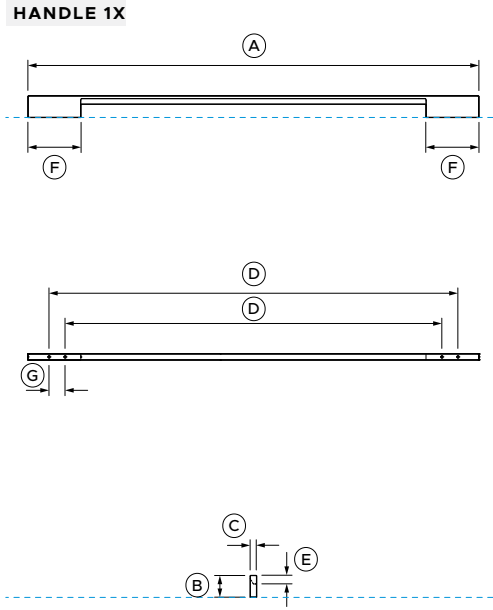
The models shown in this Planning Guide may not be available in all markets and are subject to change at any time. Product specifications may vary from those shown. This Planning Guide should not be used as installation guidance for any product. Further information is required to safely and correctly install the products featured here. Specific installation guidance will be available with the product on delivery and on our website [fisherpaykel.com](http://fisherpaykel.com)

**COOLING - SINGLE DOOR HANDLES**

Model code comes with 1 handle.

**SCREWS**

Handles comes with M5 X 25mm Pan Head Socket Screw (2 or 4 per handle) suits standard 19mm panel. Thicker panels may require counterboring or longer screws.



PRODUCT DIMENSIONS	MINIMAL	CONTEMPORARY	PROFESSIONAL
	AHMIRDSFB	AHD7RDSFX	AHP3RDSF
	mm	mm	mm
<b>A</b> Overall length	852	852	802
<b>B</b> Overall Height	41	43	58
<b>C</b> Overall width	12	14.5	37
<b>D</b> Distance between attachment holes			
- outer	772.5	772.5	772.5
- inner	712	712	712
<b>E</b> Thickness/diameter of handle rail	16	14.5	25.5
<b>F</b> Off-stand width	100	100	60
<b>G</b> Distance between holes	30	30	30

----- INDICATES PRODUCT DATUM

IMPORTANT NOTE: Throughout this guide, dimensions may vary by ±2mm (1/16"). Please read the installation manual for detailed information on installing the product. For full installation instructions & specifications visit [fisherpaykel.com](http://fisherpaykel.com)

The models shown in this Planning Guide may not be available in all markets and are subject to change at any time. Product specifications may vary from those shown. This Planning Guide should not be used as installation guidance for any product. Further information is required to safely and correctly install the products featured here. Specific installation guidance will be available with the product on delivery and on our website [fisherpaykel.com](http://fisherpaykel.com)

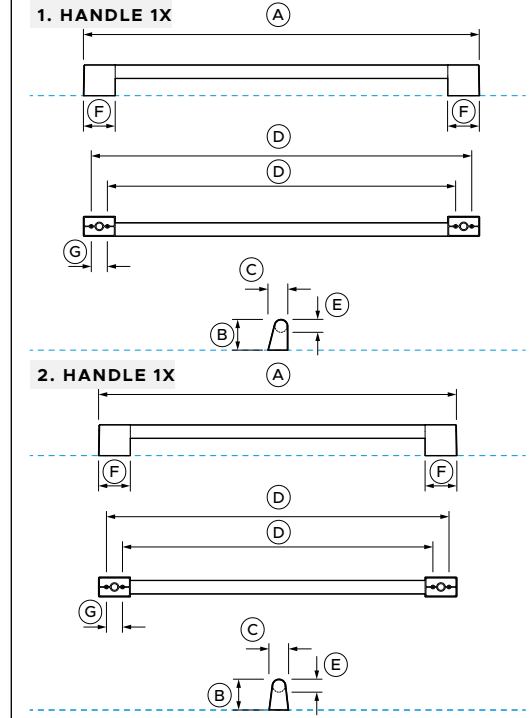
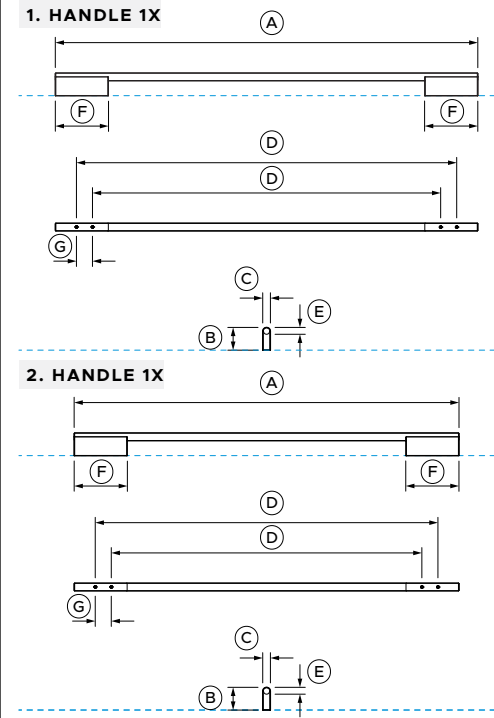
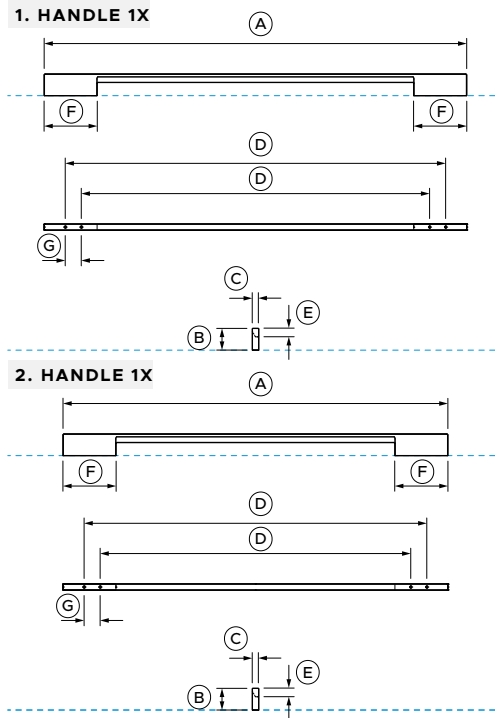
**COOLING - DOUBLE DOOR HANDLE KIT**

Handle kit comes with 2 handles.

Handle 1. = Bottom panel  
Handle 2. = Top panel

**SCREWS**

Handles comes with M5 X 25mm Pan Head Socket Screw (2 or 4 per handle) suits standard 19mm panel. Thicker panels may require counterboring or longer screws.



PRODUCT DIMENSIONS	
<b>A</b>	Overall length
<b>B</b>	Overall Height
<b>C</b>	Overall width
<b>D</b>	Distance between attachment holes - outer - inner
<b>E</b>	Thickness/diameter of handle rail
<b>F</b>	Off-stand width
<b>G</b>	Distance between holes

MINIMAL AHM1RD9121WB		
	1. HANDLE	2. HANDLE
	mm	mm
<b>A</b>	798	727
<b>B</b>	41	41
<b>C</b>	12	12
<b>D</b>	718.5 658	647.5 587
<b>E</b>	16	16
<b>F</b>	100	100
<b>G</b>	30	30

CONTEMPORARY AHD7RD9121WX		
	1. HANDLE	2. HANDLE
	mm	mm
<b>A</b>	798	727
<b>B</b>	43	43
<b>C</b>	14.5	14.5
<b>D</b>	718.5 658	647.5 587
<b>E</b>	14.5	14.5
<b>F</b>	100	100
<b>G</b>	30	30

PROFESSIONAL AHP3RD9121W		
	1. HANDLE	2. HANDLE
	mm	mm
<b>A</b>	747	677
<b>B</b>	58	58
<b>C</b>	37.5	37
<b>D</b>	718.5 658	647.5 587
<b>E</b>	25.5	25.5
<b>F</b>	60	60
<b>G</b>	30	30

----- INDICATES PRODUCT DATUM

IMPORTANT NOTE: Throughout this guide, dimensions may vary by ±2mm (1/16"). Please read the installation manual for detailed information on installing the product. For full installation instructions & specifications visit [fisherpaykel.com](http://fisherpaykel.com)

The models shown in this Planning Guide may not be available in all markets and are subject to change at any time. Product specifications may vary from those shown. This Planning Guide should not be used as installation guidance for any product. Further information is required to safely and correctly install the products featured here. Specific installation guidance will be available with the product on delivery and on our website [fisherpaykel.com](http://fisherpaykel.com)

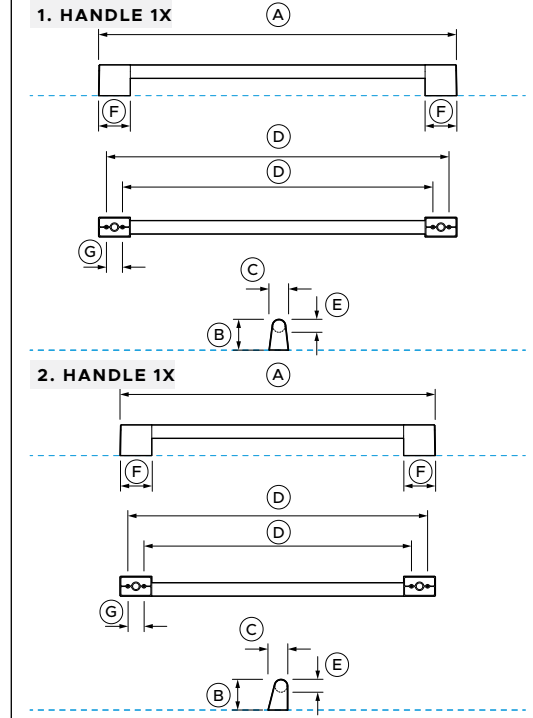
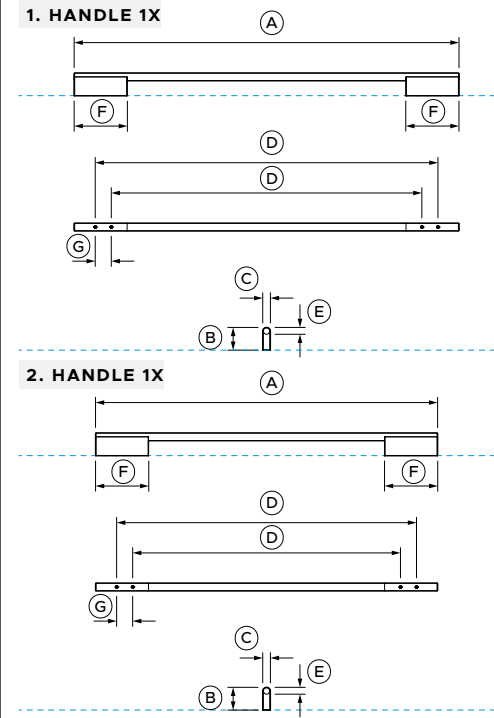
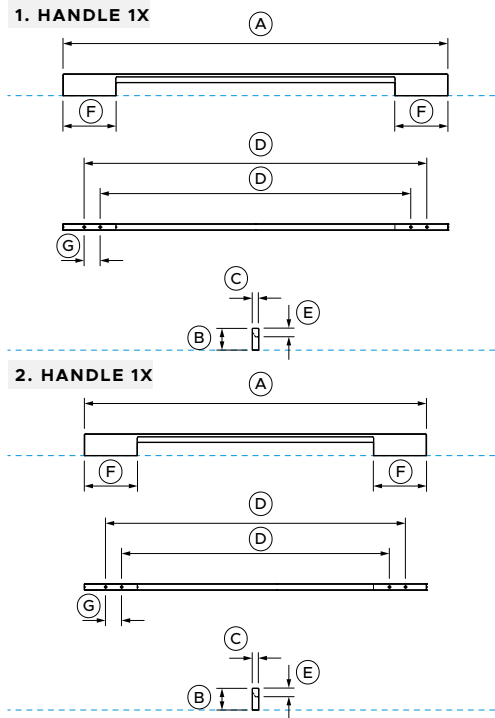
**COOLING - DOUBLE DOOR HANDLE KIT**

Handle kit comes with 2 handles.

Handle 1. = Top panel  
Handle 2. = Bottom panel

**SCREWS**

Handles comes with M5 X 25mm Pan Head Socket Screw (2 or 4 per handle) suits standard 19mm panel. Thicker panels may require counterboring or longer screws.



PRODUCT DIMENSIONS	
<b>A</b>	Overall length
<b>B</b>	Overall Height
<b>C</b>	Overall width
<b>D</b>	Distance between attachment holes - outer - inner
<b>E</b>	Thickness/diameter of handle rail
<b>F</b>	Off-stand width
<b>G</b>	Distance between holes

----- INDICATES PRODUCT DATUM

MINIMAL AHM1RM1621WB		
	1. HANDLE	2. HANDLE
	mm	mm
<b>A</b>	727	646
<b>B</b>	41	41
<b>C</b>	12	12
<b>D</b>	647.5 587	566.5 506
<b>E</b>	16	16
<b>F</b>	100	100
<b>G</b>	30	30

CONTEMPORARY AHD7RD7621WX		
	1. HANDLE	2. HANDLE
	mm	mm
<b>A</b>	727	646
<b>B</b>	43	43
<b>C</b>	14.5	14.5
<b>D</b>	647.5 587	566.5 506
<b>E</b>	14.5	14.5
<b>F</b>	100	100
<b>G</b>	30	30

PROFESSIONAL AHP3RD7621W		
	1. HANDLE	2. HANDLE
	mm	mm
<b>A</b>	677	596
<b>B</b>	58	58
<b>C</b>	37	37.5
<b>D</b>	647.5 587	566.5 506
<b>E</b>	25.5	25.5
<b>F</b>	60	60
<b>G</b>	30	30

IMPORTANT NOTE: Throughout this guide, dimensions may vary by ±2mm (1/16"). Please read the installation manual for detailed information on installing the product. For full installation instructions & specifications visit [fisherpaykel.com](http://fisherpaykel.com)

The models shown in this Planning Guide may not be available in all markets and are subject to change at any time. Product specifications may vary from those shown. This Planning Guide should not be used as installation guidance for any product. Further information is required to safely and correctly install the products featured here. Specific installation guidance will be available with the product on delivery and on our website [fisherpaykel.com](http://fisherpaykel.com)

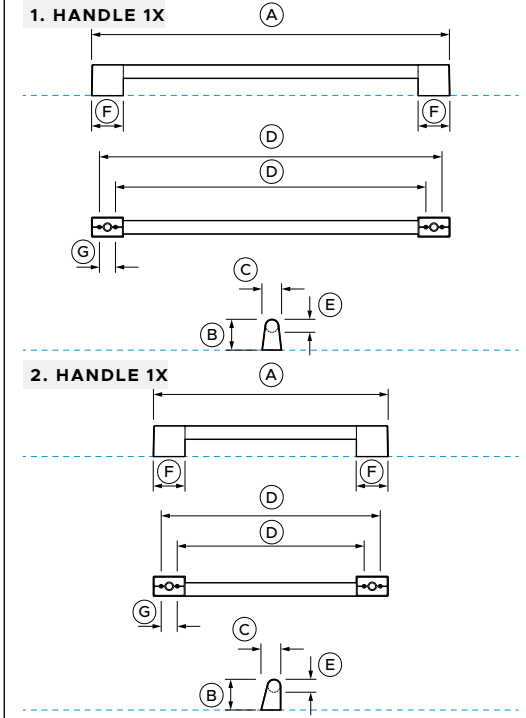
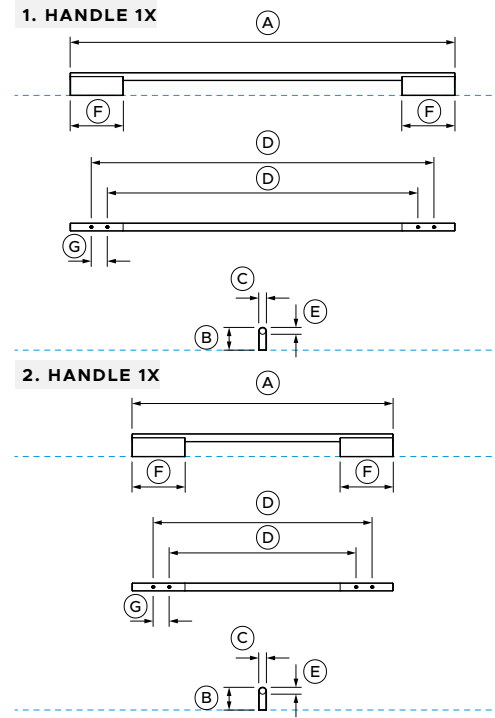
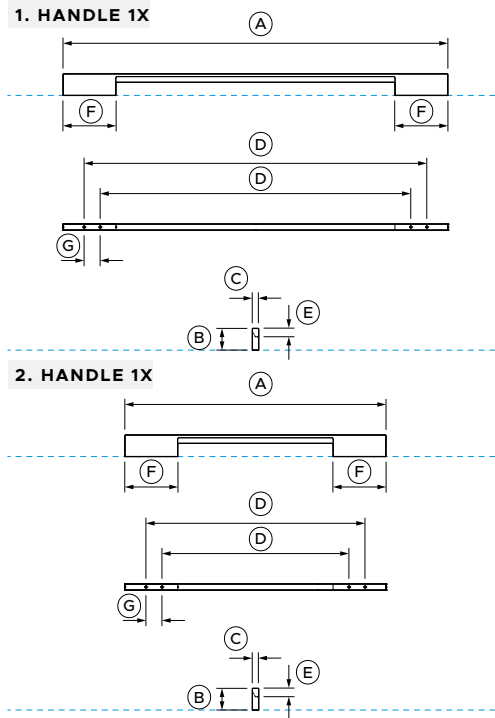
**COOLING - DOUBLE DOOR HANDLE KIT**

Handle kit comes with 2 handles.

Handle 1. = Top panel  
Handle 2. = Bottom panel

**SCREWS**

Handles comes with M5 X 25mm Pan Head Socket Screw (2 or 4 per handle) suits standard 19mm panel. Thicker panels may require counterboring or longer screws.



MINIMAL AHM1RD6121WB		
	1. HANDLE	2. HANDLE
	mm	mm
<b>A</b> Overall length	727	493
<b>B</b> Overall Height	41	41
<b>C</b> Overall width	12	12
<b>D</b> Distance between attachment holes - outer	647.5	414
- inner	587	353
<b>E</b> Thickness/diameter of handle rail	16	16
<b>F</b> Off-stand width	100	100
<b>G</b> Distance between holes	30	30

CONTEMPORARY AHD7RD6121WX		
	1. HANDLE	2. HANDLE
	mm	mm
<b>A</b> Overall length	727	493
<b>B</b> Overall Height	43	43
<b>C</b> Overall width	14.5	14.5
<b>D</b> Distance between attachment holes - outer	647.5	414
- inner	587	353
<b>E</b> Thickness/diameter of handle rail	14.5	14.5
<b>F</b> Off-stand width	100	100
<b>G</b> Distance between holes	30	30

PROFESSIONAL AHP3RD6121W		
	1. HANDLE	2. HANDLE
	mm	mm
<b>A</b> Overall length	677	443.5
<b>B</b> Overall Height	58	58
<b>C</b> Overall width	37	37.5
<b>D</b> Distance between attachment holes - outer	647.5	414
- inner	587	353
<b>E</b> Thickness/diameter of handle rail	25.5	25.5
<b>F</b> Off-stand width	60	60
<b>G</b> Distance between holes	30	30

----- INDICATES PRODUCT DATUM

IMPORTANT NOTE: Throughout this guide, dimensions may vary by ±2mm (1/16"). Please read the installation manual for detailed information on installing the product. For full installation instructions & specifications visit fisherpaykel.com

The models shown in this Planning Guide may not be available in all markets and are subject to change at any time. Product specifications may vary from those shown. This Planning Guide should not be used as installation guidance for any product. Further information is required to safely and correctly install the products featured here. Specific installation guidance will be available with the product on delivery and on our website fisherpaykel.com

**COOLING - DOUBLE DOOR HANDLE KIT**

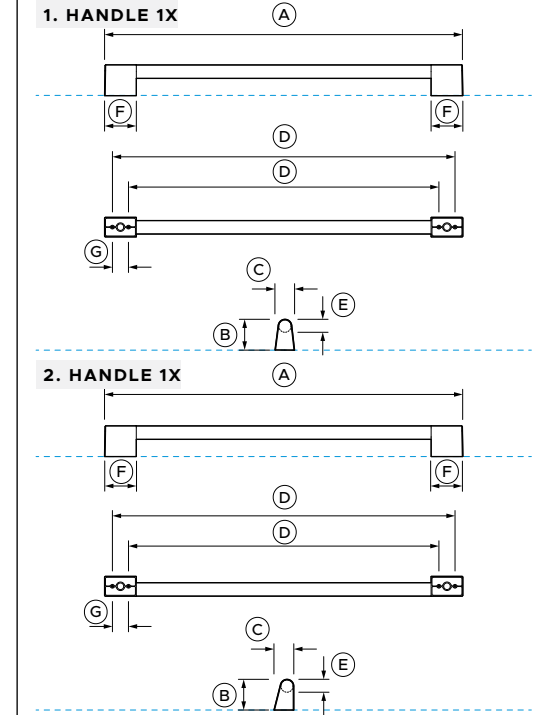
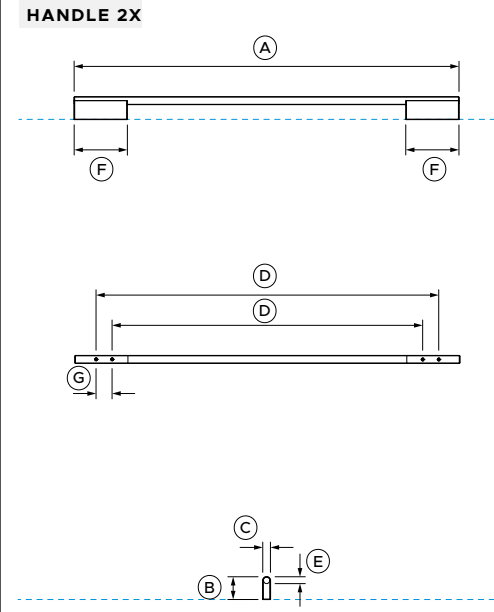
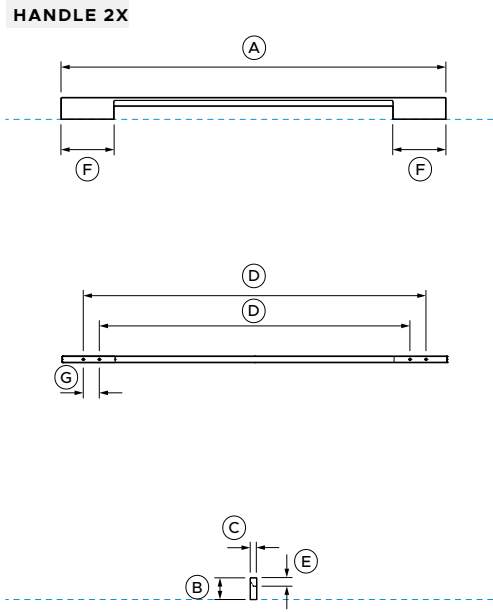
Handle kit comes with 2 handles.

**PROFESSIONAL HANDLES**

Handle 1. = Top panel  
Handle 2. = Bottom panel

**SCREWS**

Handles comes with M5 X 25mm Pan Head Socket Screw (2 or 4 per handle) suits standard 19mm panel. Thicker panels may require counterboring or longer screws.



**MINIMAL**

AHM1RD9120WB

**CONTEMPORARY**

AHD7RD9120WX

**PROFESSIONAL**

AHP3RD9120W

PRODUCT DIMENSIONS	
<b>A</b>	Overall length
<b>B</b>	Overall Height
<b>C</b>	Overall width
<b>D</b>	Distance between attachment holes
	- outer
	- inner
<b>E</b>	Thickness/diameter of handle rail
<b>F</b>	Off-stand width
<b>G</b>	Distance between holes

	mm
<b>A</b>	727
<b>B</b>	41
<b>C</b>	12
<b>D</b>	647.5
	587
<b>E</b>	16
<b>F</b>	100
<b>G</b>	30

	mm
<b>A</b>	727
<b>B</b>	43
<b>C</b>	14.5
<b>D</b>	647.5
	587
<b>E</b>	14.5
<b>F</b>	100
<b>G</b>	30

1. HANDLE		2. HANDLE	
	mm		mm
<b>A</b>	677	<b>A</b>	677
<b>B</b>	58	<b>B</b>	58
<b>C</b>	37	<b>C</b>	37.5
<b>D</b>	647.5	<b>D</b>	647.5
	587		587
<b>E</b>	25.5	<b>E</b>	25.5
<b>F</b>	60	<b>F</b>	60
<b>G</b>	30	<b>G</b>	30

----- INDICATES PRODUCT DATUM

IMPORTANT NOTE: Throughout this guide, dimensions may vary by ±2mm (1/16"). Please read the installation manual for detailed information on installing the product. For full installation instructions & specifications visit fisherpaykel.com

The models shown in this Planning Guide may not be available in all markets and are subject to change at any time. Product specifications may vary from those shown. This Planning Guide should not be used as installation guidance for any product. Further information is required to safely and correctly install the products featured here. Specific installation guidance will be available with the product on delivery and on our website fisherpaykel.com

**COOLING - DOUBLE DOOR HANDLE KIT**

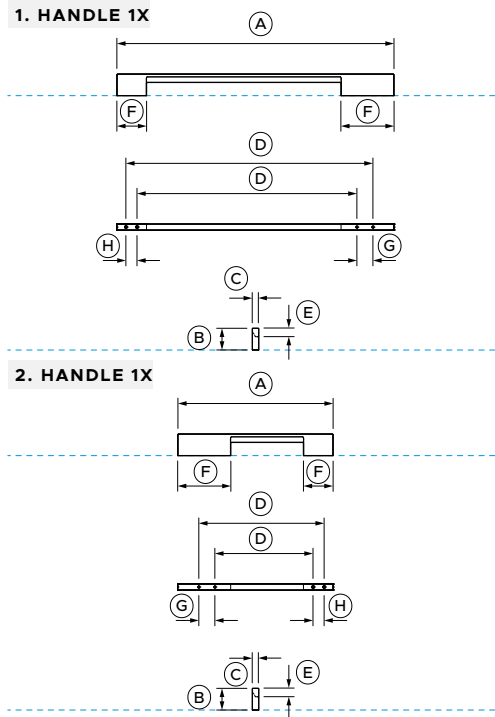
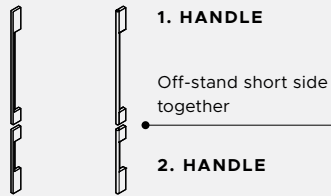
Handle kit comes with 2 handles

Handle 1. = Top panel  
Handle 2. = Bottom panel

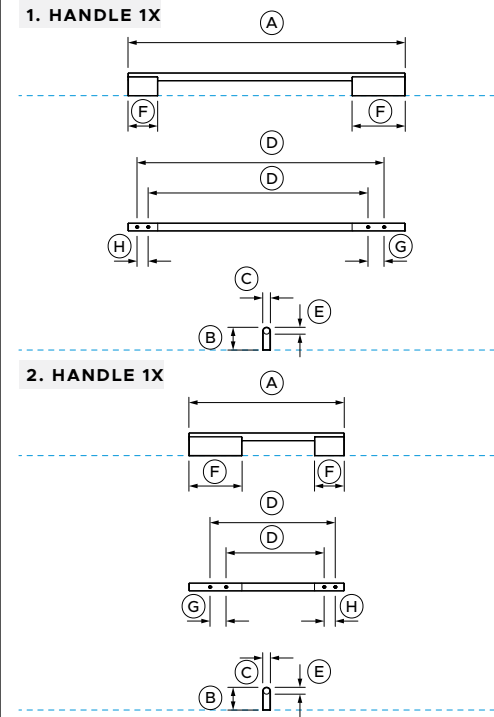
**SCREWS**

Handles comes with M5 X 25mm Pan Head Socket Screw (2 or 4 per handle) suits standard 19mm panel. Thicker panels may require counterboring or longer screws.

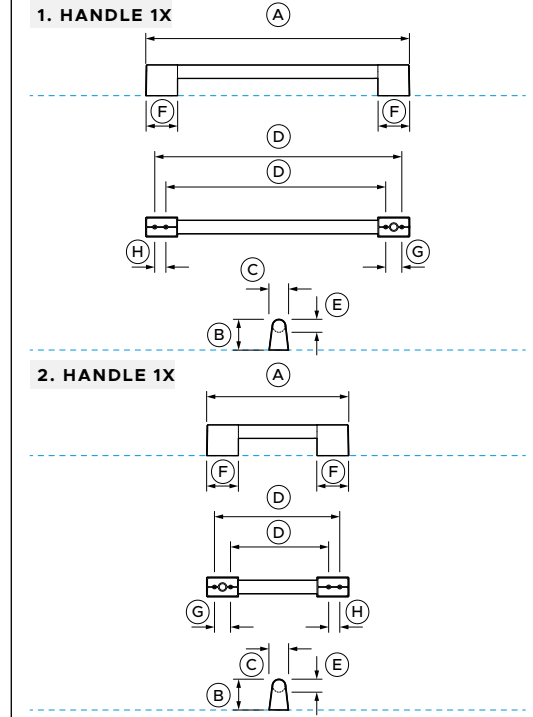
**PLACEMENT ON PRODUCT**



MINIMAL		
AHM1RDB19LB, AHM1RDB19RB		
	1. HANDLE	2. HANDLE
	mm	mm
<b>A</b> Overall length	523	293
<b>B</b> Overall Height	41	41
<b>C</b> Overall width	12	12
<b>D</b> Distance between attachment holes		
- outer	467	237
- inner	415.5	185.5
<b>E</b> Thickness/diameter of handle rail	16	16
<b>F</b> Off-stand width		
- long side	100	100
- short side	56	56
<b>G</b> Distance between holes (long side)	30	30
<b>H</b> Distance between holes (short side)	21	21



CONTEMPORARY		
AHD7RDB19X		
	1. HANDLE	2. HANDLE
	mm	mm
<b>A</b> Overall length	523	293
<b>B</b> Overall Height	43	43
<b>C</b> Overall width	14.5	14.5
<b>D</b> Distance between attachment holes		
- outer	467	237
- inner	415.5	185.5
<b>E</b> Thickness/diameter of handle rail	14.5	14.5
<b>F</b> Off-stand width		
- long side	100	100
- short side	56	56
<b>G</b> Distance between holes (long side)	30	30
<b>H</b> Distance between holes (short side)	21	21



PROFESSIONAL		
AHP3RDB19		
	1. HANDLE	2. HANDLE
	mm	mm
<b>A</b> Overall length	498.5	268.5
<b>B</b> Overall Height	58	58
<b>C</b> Overall width	37	37
<b>D</b> Distance between attachment holes		
- outer	467	237
- inner	415.5	185.5
<b>E</b> Thickness/diameter of handle rail	25.5	25.5
<b>F</b> Off-stand width		
- long side	60	60
- short side	-	-
<b>G</b> Distance between holes (long side)	30	30
<b>H</b> Distance between holes (short side)	21	21

----- INDICATES PRODUCT DATUM

IMPORTANT NOTE: Throughout this guide, dimensions may vary by ±2mm (1/16"). Please read the installation manual for detailed information on installing the product. For full installation instructions & specifications visit [fisherpaykel.com](http://fisherpaykel.com)

The models shown in this Planning Guide may not be available in all markets and are subject to change at any time. Product specifications may vary from those shown. This Planning Guide should not be used as installation guidance for any product. Further information is required to safely and correctly install the products featured here. Specific installation guidance will be available with the product on delivery and on our website [fisherpaykel.com](http://fisherpaykel.com)

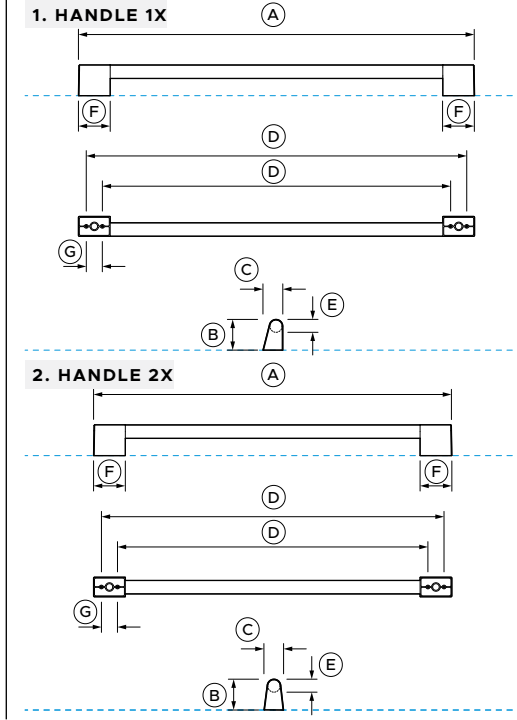
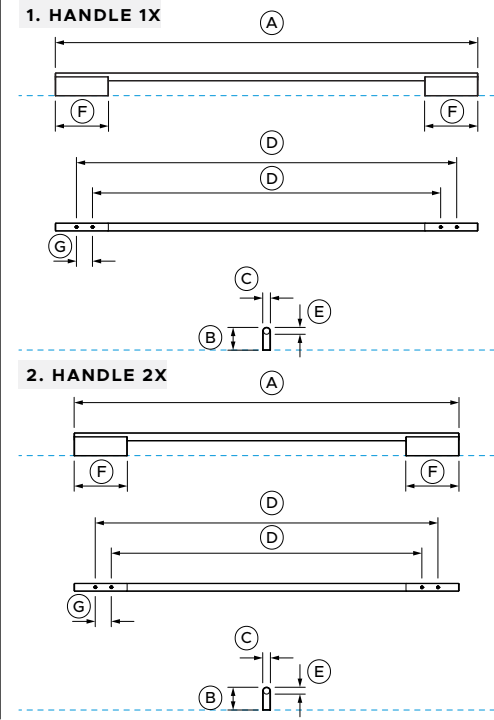
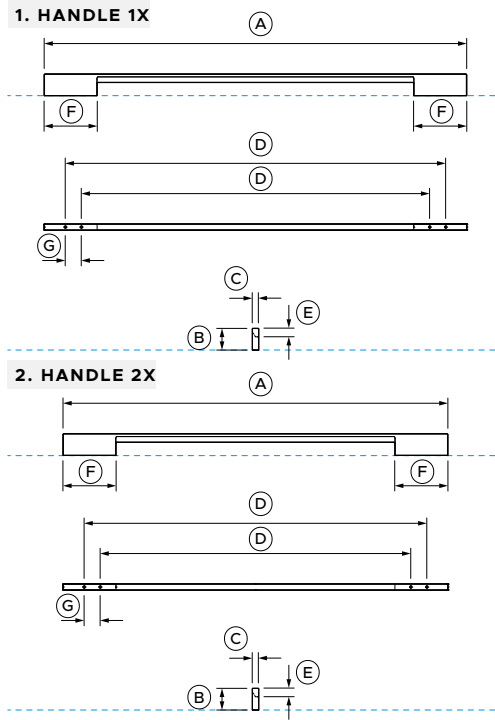
**COOLING - TRIPLE DOOR HANDLE KIT**

Handle kit comes with 3 handles.

Handle 1. = Bottom panel  
Handle 2. = Top panels

**SCREWS**

Handles comes with M5 X 25mm Pan Head Socket Screw (2 or 4 per handle) suits standard 19mm panel. Thicker panels may require counterboring or longer screws.



PRODUCT DIMENSIONS	
<b>A</b>	Overall length
<b>B</b>	Overall Height
<b>C</b>	Overall width
<b>D</b>	Distance between attachment holes - outer - inner
<b>E</b>	Thickness/diameter of handle rail
<b>F</b>	Off-stand width
<b>G</b>	Distance between holes

MINIMAL		
AHM1RD9121AB		
	1. HANDLE	2. HANDLE
	mm	mm
<b>A</b>	798	727
<b>B</b>	41	41
<b>C</b>	12	12
<b>D</b>	719	647.5
<b>E</b>	16	16
<b>F</b>	100	100
<b>G</b>	30	30

CONTEMPORARY		
AHD7RD9121AX		
	1. HANDLE	2. HANDLE
	mm	mm
<b>A</b>	798	727
<b>B</b>	43	43
<b>C</b>	14.5	14.5
<b>D</b>	719	647.5
<b>E</b>	14.5	14.5
<b>F</b>	100	100
<b>G</b>	30	30

PROFESSIONAL		
AHP3RD9121A		
	1. HANDLE	2. HANDLE
	mm	mm
<b>A</b>	748.5	677
<b>B</b>	58	58
<b>C</b>	37.5	37
<b>D</b>	719	647.5
<b>E</b>	25.5	25.5
<b>F</b>	60	60
<b>G</b>	30	30

----- INDICATES PRODUCT DATUM

IMPORTANT NOTE: Throughout this guide, dimensions may vary by ±2mm (1/16"). Please read the installation manual for detailed information on installing the product. For full installation instructions & specifications visit fisherpaykel.com

The models shown in this Planning Guide may not be available in all markets and are subject to change at any time. Product specifications may vary from those shown. This Planning Guide should not be used as installation guidance for any product. Further information is required to safely and correctly install the products featured here. Specific installation guidance will be available with the product on delivery and on our website fisherpaykel.com

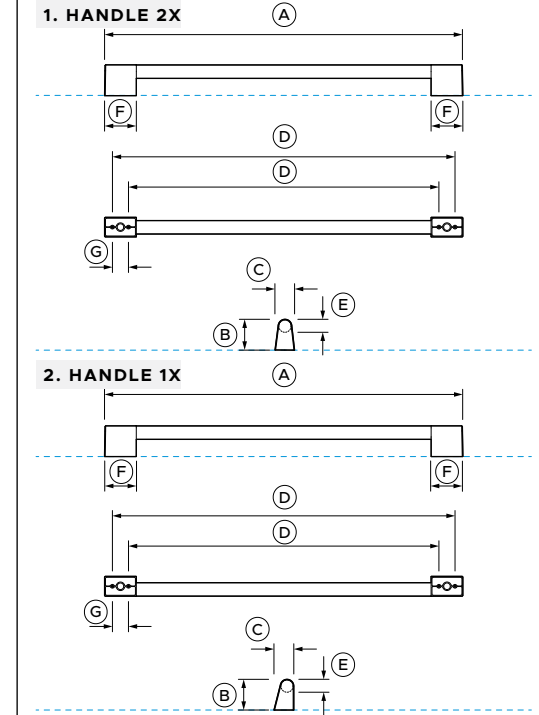
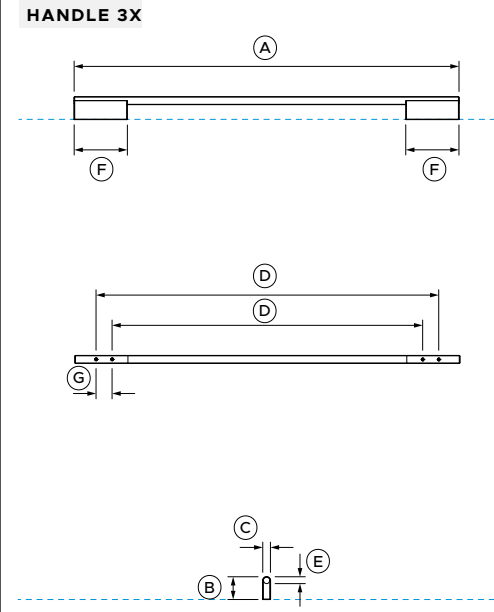
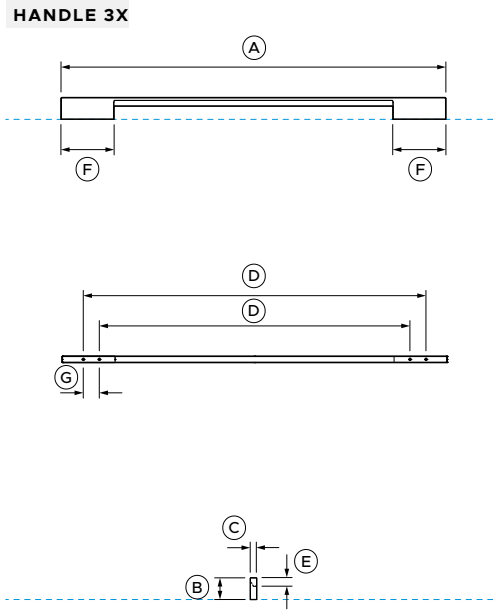
**COOLING - TRIPLE DOOR HANDLE KIT**

Handle kit comes with 3 handles.

Handle 1. = Top panels  
Handle 2. = Bottom panel

**SCREWS**

Handles comes with M5 X 25mm Pan Head Socket Screw (2 or 4 per handle) suits standard 19mm panel. Thicker panels may require counterboring or longer screws.



PRODUCT DIMENSIONS	
<b>A</b>	Overall length
<b>B</b>	Overall Height
<b>C</b>	Overall width
<b>D</b>	Distance between attachment holes
	- outer
	- inner
<b>E</b>	Thickness/diameter of handle rail
<b>F</b>	Off-stand width
<b>G</b>	Distance between holes

MINIMAL	
AHM1RD90AB	
	mm
A	727
B	41
C	12
D	647.5
	587
E	16
F	100
G	30

CONTEMPORARY	
AHD7RD90AX	
	mm
A	727
B	43
C	14.5
D	647.5
	587
E	14.5
F	100
G	30

PROFESSIONAL	
AHP3RD90A	
1. HANDLE	2. HANDLE
mm	mm
A	677
B	58
C	37.5
D	647.5
	587
E	25.5
F	60
G	30

----- INDICATES PRODUCT DATUM

IMPORTANT NOTE: Throughout this guide, dimensions may vary by ±2mm (1/16"). Please read the installation manual for detailed information on installing the product. For full installation instructions & specifications visit [fisherpaykel.com](http://fisherpaykel.com)

The models shown in this Planning Guide may not be available in all markets and are subject to change at any time. Product specifications may vary from those shown. This Planning Guide should not be used as installation guidance for any product. Further information is required to safely and correctly install the products featured here. Specific installation guidance will be available with the product on delivery and on our website [fisherpaykel.com](http://fisherpaykel.com)

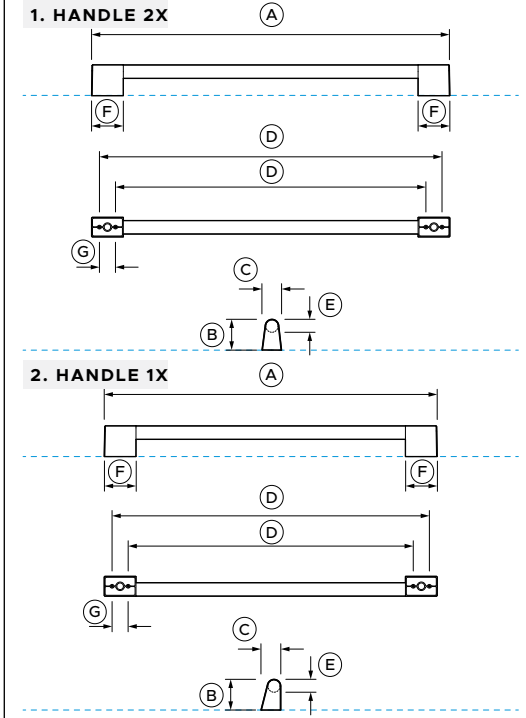
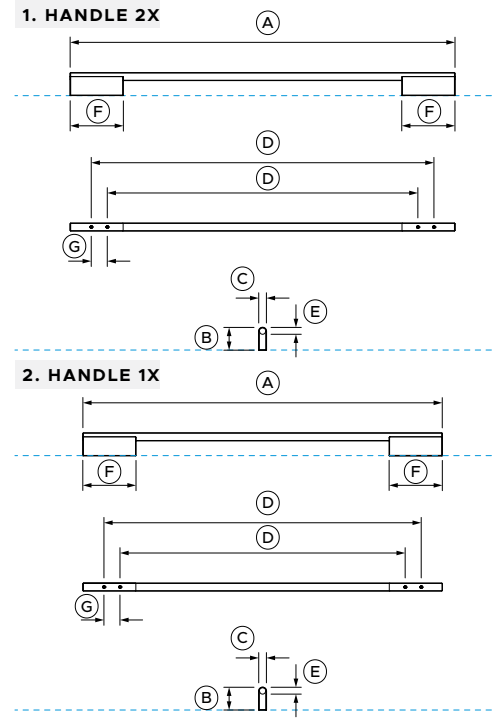
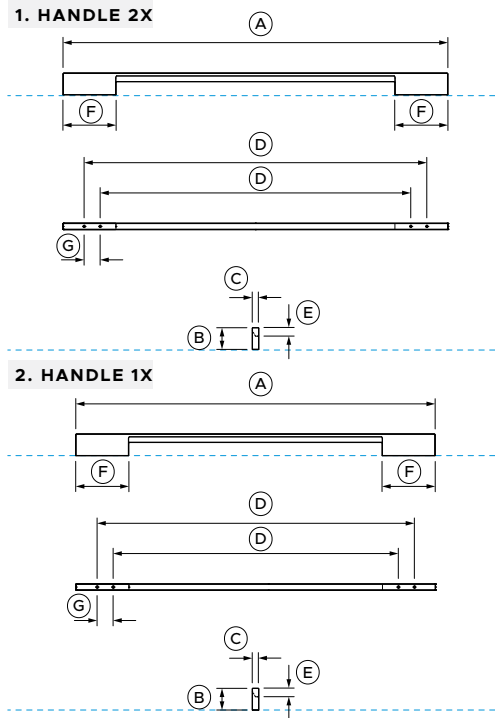
**COOLING - TRIPLE DOOR HANDLE KIT**

Handle kit comes with 3 handles.

Handle 1. = Top panels  
Handle 2. = Bottom panel

**SCREWS**

Handles comes with M5 X 25mm Pan Head Socket Screw (2 or 4 per handle) suits standard 19mm panel. Thicker panels may require counterboring or longer screws.



PRODUCT DIMENSIONS	
<b>A</b>	Overall length
<b>B</b>	Overall Height
<b>C</b>	Overall width
<b>D</b>	Distance between attachment holes - outer - inner
<b>E</b>	Thickness/diameter of handle rail
<b>F</b>	Off-stand width
<b>G</b>	Distance between holes

MINIMAL		
AHM1RD80AB		
	1. HANDLE	2. HANDLE
	mm	mm
<b>A</b>	727	679
<b>B</b>	41	41
<b>C</b>	12	12
<b>D</b>	647.5 587	599.5 539
<b>E</b>	16	16
<b>F</b>	100	100
<b>G</b>	30	30

CONTEMPORARY		
AHD7RD80AX		
	1. HANDLE	2. HANDLE
	mm	mm
<b>A</b>	727	679
<b>B</b>	43	43
<b>C</b>	14.5	14.5
<b>D</b>	647.5 587	599.5 539
<b>E</b>	14.5	14.5
<b>F</b>	100	100
<b>G</b>	30	30

PROFESSIONAL		
AHP3RD80A		
	1. HANDLE	2. HANDLE
	mm	mm
<b>A</b>	677	629
<b>B</b>	58	58
<b>C</b>	37	37.5
<b>D</b>	647.5 587	599.5 539
<b>E</b>	25.5	25.5
<b>F</b>	60	60
<b>G</b>	30	30

----- INDICATES PRODUCT DATUM

IMPORTANT NOTE: Throughout this guide, dimensions may vary by ±2mm (1/16"). Please read the installation manual for detailed information on installing the product. For full installation instructions & specifications visit [fisherpaykel.com](http://fisherpaykel.com)

The models shown in this Planning Guide may not be available in all markets and are subject to change at any time. Product specifications may vary from those shown. This Planning Guide should not be used as installation guidance for any product. Further information is required to safely and correctly install the products featured here. Specific installation guidance will be available with the product on delivery and on our website [fisherpaykel.com](http://fisherpaykel.com)

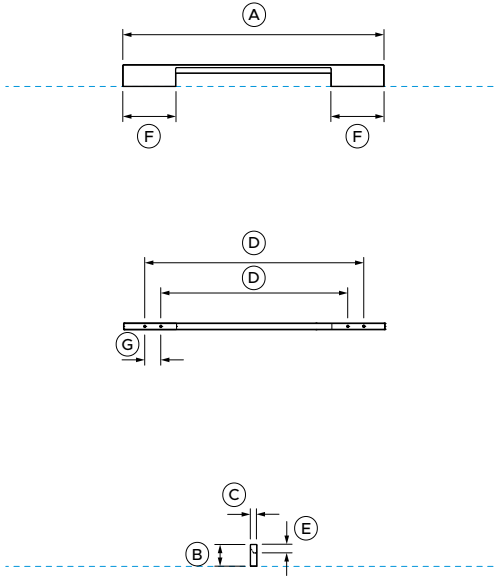
**COOLING - UNDERCOUNTER**

Model code comes with 1 handle.

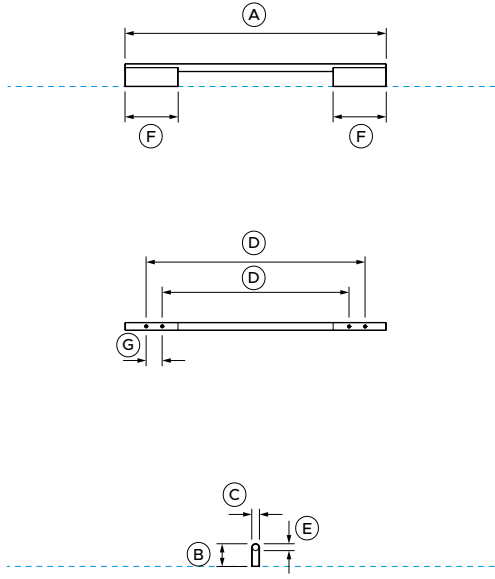
**SCREWS**

Handles comes with M5 X 25mm Pan Head Socket Screw (2 or 4 per handle) suits standard 19mm panel. Thicker panels may require counterboring or longer screws.

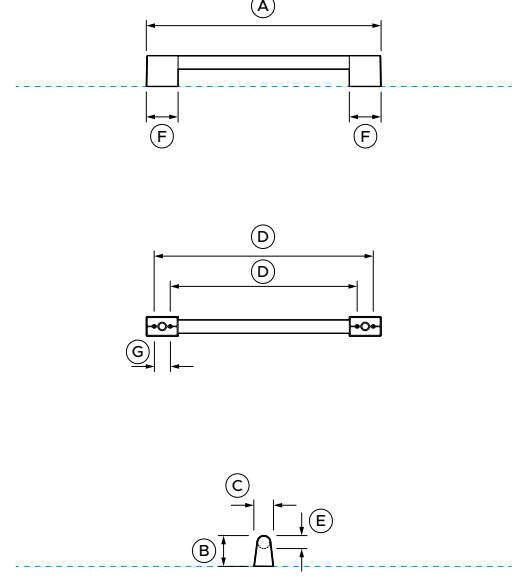
HANDLE 1X



HANDLE 1X



HANDLE 1X



PRODUCT DIMENSIONS	MINIMAL	CONTEMPORARY	PROFESSIONAL
	AHM1RD09B	AHD7RD09X	AHP3RD09
	mm	mm	mm
<b>A</b> Overall length	493.5	493.5	443.5
<b>B</b> Overall Height	41	43	58
<b>C</b> Overall width	12	14.5	37
<b>D</b> Distance between attachment holes			
- outer	414	414	414
- inner	353	353	353
<b>E</b> Thickness/diameter of handle rail	16	14.5	25.5
<b>F</b> Off-stand width	100	100	60
<b>G</b> Distance between holes	30	30	30

----- INDICATES PRODUCT DATUM

IMPORTANT NOTE: Throughout this guide, dimensions may vary by ±2mm (1/16"). Please read the installation manual for detailed information on installing the product. For full installation instructions & specifications visit [fisherpaykel.com](http://fisherpaykel.com)

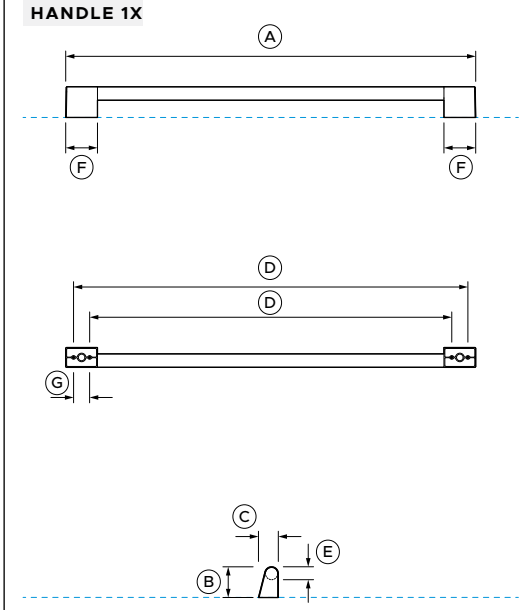
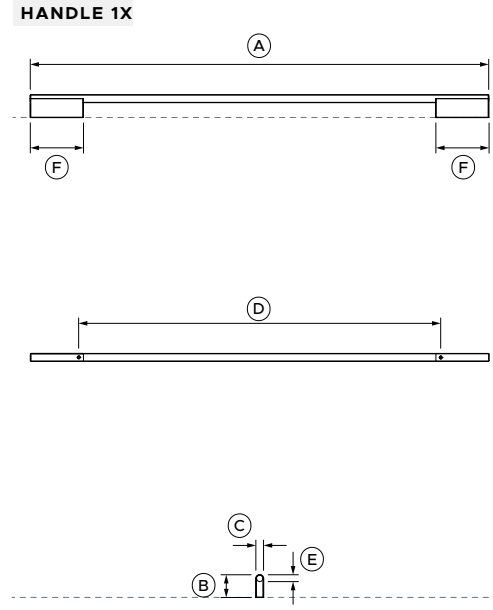
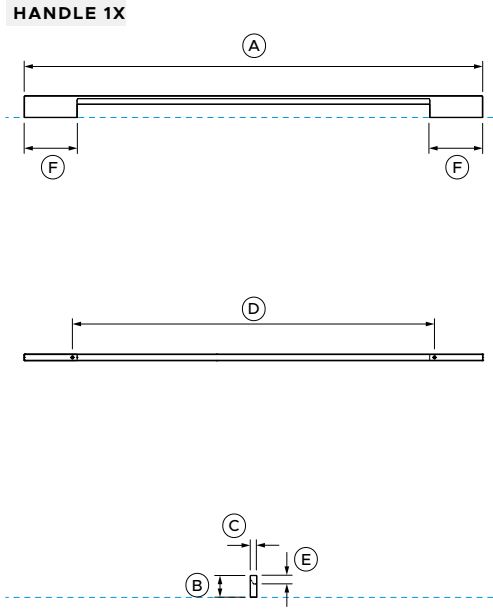
The models shown in this Planning Guide may not be available in all markets and are subject to change at any time. Product specifications may vary from those shown. This Planning Guide should not be used as installation guidance for any product. Further information is required to safely and correctly install the products featured here. Specific installation guidance will be available with the product on delivery and on our website [fisherpaykel.com](http://fisherpaykel.com)

**COOLING - COOLDRAWER™**

Model code comes with 1 handle.

**SCREWS**

Handles comes with M5 X 25mm Pan Head Socket Screw (2 or 4 per handle) suits standard 19mm panel. Thicker panels may require counterboring or longer screws.



		<b>MINIMAL</b>
		AHM1RD90SB
		<b>mm</b>
<b>A</b>	Overall length	866
<b>B</b>	Overall Height	41
<b>C</b>	Overall width	12
<b>D</b>	Distance between attachment holes	684
<b>E</b>	Thickness/diameter of handle rail	16
<b>F</b>	Off-stand width	100
<b>G</b>	Distance between holes	-

		<b>CONTEMPORARY</b>
		AHD7RD90SX
		<b>mm</b>
<b>A</b>	Overall length	866
<b>B</b>	Overall Height	43
<b>C</b>	Overall width	14.5
<b>D</b>	Distance between attachment holes	684
<b>E</b>	Thickness/diameter of handle rail	14.5
<b>F</b>	Off-stand width	100
<b>G</b>	Distance between holes	-

		<b>PROFESSIONAL</b>
		AHP3RD90S
		<b>mm</b>
<b>A</b>	Overall length	774.5
<b>B</b>	Overall Height	58
<b>C</b>	Overall width	37.5
<b>D</b>	Distance between attachment holes	outer 745 inner 684
<b>E</b>	Thickness/diameter of handle rail	25.5
<b>F</b>	Off-stand width	60
<b>G</b>	Distance between holes	30

----- INDICATES PRODUCT DATUM

IMPORTANT NOTE: Throughout this guide, dimensions may vary by ±2mm (1/16"). Please read the installation manual for detailed information on installing the product. For full installation instructions & specifications visit [fisherpaykel.com](http://fisherpaykel.com)

The models shown in this Planning Guide may not be available in all markets and are subject to change at any time. Product specifications may vary from those shown. This Planning Guide should not be used as installation guidance for any product. Further information is required to safely and correctly install the products featured here. Specific installation guidance will be available with the product on delivery and on our website [fisherpaykel.com](http://fisherpaykel.com)

