

FISHER & PAYKEL

INTEGRATED COOLDRAWER™ WITH ASSISTED OPENING ACCESSORY



MULTI-TEMPERATURE DRAWER

RB36S model

ASSISTED OPENING ACCESSORY

OPEX1

INSTALLATION GUIDE

CA

CONTENTS

Safety and warnings	4
Integrated CoolDrawer™	5
Supplied parts	5
Assisted opening accessory	6
Handle kit	6
Cooldrawer™ dimensions	7
Assisted Opening Accessory dimensions	8
Product and cabinetry overview	9
Cabinetry dimensions	10
Custom panel dimensions	13
Electrical connection	14
Cabinet preparation	15
Install Assisted Opening Accessory	16
Attach power cord & trim brackets	18
Position product into cabinetry	18
Panel preparation	19
Attach drawer panel	19
Attach bridge trim	21
Attach lens cover	21
Secure product to cabinetry	21
Attach side trims to cabinetry	21
Test Assisted Opening Accessory	22
Installer checklist	23

⚠ WARNING!



Electric Shock Hazard

Failure to follow this advice may result in electrical shock or death.

- Read and follow the safety and warnings outlined in this installation guide before operating this appliance.

⚠ WARNING!



Cut Hazard

Failure to use caution could result in injury.

- Take care: panel edges may be sharp.
- Do not put fingers in the drawers when closing.

⚠ WARNING!



Tip Hazard

- Do not operate this appliance until it has been securely anchored inside the cabinetry.

To ensure that the appliance is stable under all loading conditions:

- The appliance must be securely anchored to the floor by a professional installer according to the installation steps in this guide.

READ AND SAVE THIS GUIDE

WARNING!

To avoid hazard, follow these instructions carefully before installing or using this appliance.

- Please make this information available to the persons installing the appliance.
- Assume all electrical parts are live.
- Disconnect power supply before servicing and installation.

BEFORE INSTALLATION

- The appliance must be installed by a qualified installer, or Fisher and Paykel trained and supported service technician to avoid faulty electrical connection.
- All connections for electrical power and grounding must comply with local codes and ordinances and be made by licensed personnel when required.
- Avoid installation of the appliance/s under a ground fault circuit interrupter (GFCI).
- Ensure the appliance is installed properly. Improper installation that results in appliance failure is not covered under the appliance warranty.

UNPACKING

- Remove all packaging materials supplied with the appliance.
- Avoid scratching the surface of your appliance when moving or installing.
- If the appliance is damaged, contact your Fisher and Paykel dealer.
- Ensure all components and accessories are complete.

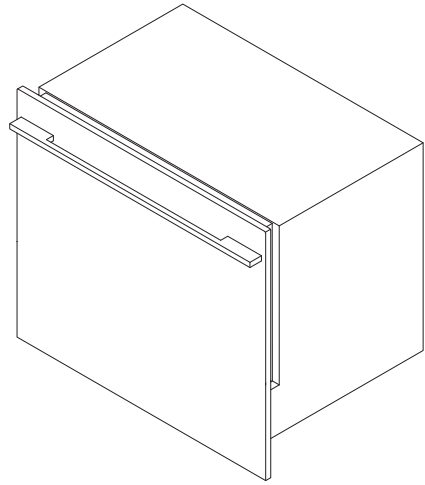
ELECTRICAL/PLUMBING

- We recommend to locate the electrical connection of the appliance in an adjacent area or unit (cabinet or cupboard) that are easily accessible in case of repair or disconnection.
- Ensure the power outlet is located outside the cavity, within 72 13/16" (1850mm) from the CoolDrawer™ cavity if situated on the left-hand side of the cavity, and within 49 3/16" (1250mm) if situated on the right-hand side of the cavity.
- The services hole in the cavity needs to be large enough for the power supply plug to fit through.

INSTALLATION

- The installation bracket and fittings supplied must be fitted to the wall of the finished enclosure to withstand a 100kg load.
- Ensure that the installation bracket is installed correctly to prevent the possibility of the appliance tipping forward when the drawer is open.
- Ensure the power cord is not run over or damaged when installing the product into the cabinetry.
- For flush installation, ensure the drawer panel is installed flush with cabinetry front surface. Ensure the appliance is properly centered.
- Complete the final checklist after installation is complete.
- Protect the finish of the Fisher and Paykel Stainless Steel door panel from any scratch or damage.
- If using Custom door panels, ensure they are prepared as per 'Custom door panel install dimensions' section.
- The thickness of the custom door panel can vary as long as the screws do not penetrate beyond the full depth of the door panel, and as long as the overall weight of door panel does not exceed the allowable weight. Refer to 'Door panel dimensions' for maximum door panel weight of your product.

INTEGRATED COOLDRAWER™



With Contemporary style handle

SUPPLIED PARTS



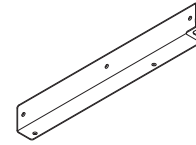
Installation guide



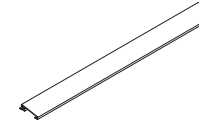
Service & Warranty



User guide



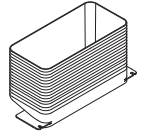
Installation brackets (2x)



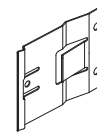
Installation trim (2x)



Power cord (1x)



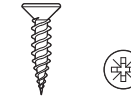
Vent duct (1x)



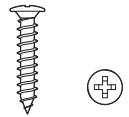
Trim brackets (4x)



Drawer panel attachment hooks (3x)

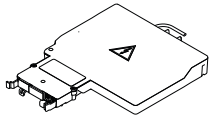


8Gx16 Countersunk screw (12x)



16mm Pan head screw (14x)

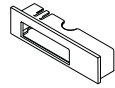
ASSISTED OPENING ACCESSORY



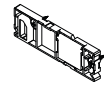
Assisted Opening Accessory



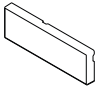
Power cord



Lens cover



Striker plate assembly

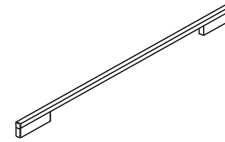


Striker plate cover

HANDLE KIT

The handle kit is not supplied and must be purchased separately through an authorised Fisher & Paykel dealer. Visit fisherpaykel.com for more information.

Contemporary

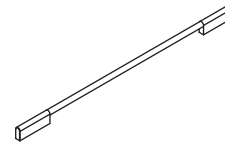


Square handle (1x)



M5x25 Hex screw (4x)

DESCRIPTION	MODEL CODE
Stainless steel silver square handle	AHD3-RB90S
Stainless steel silver square fine handle	AHD5-RD36S
Stainless steel black square fine handle	AHD5-RD36SB



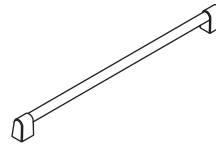
Round handle (1x)



M5x25 Hex screw (4x)

DESCRIPTION	MODEL CODE
Aluminium silver round handle	AHS-RB90S

Professional



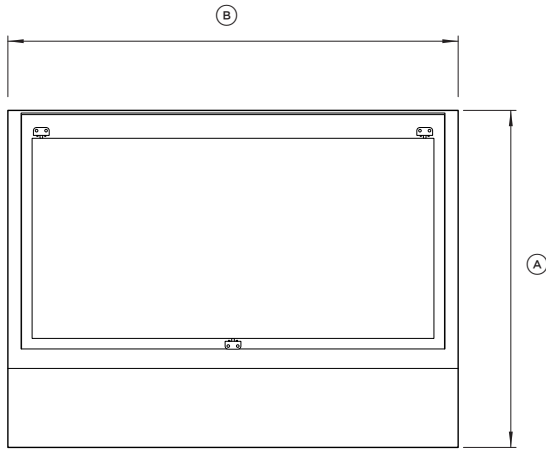
Round handle (1x)



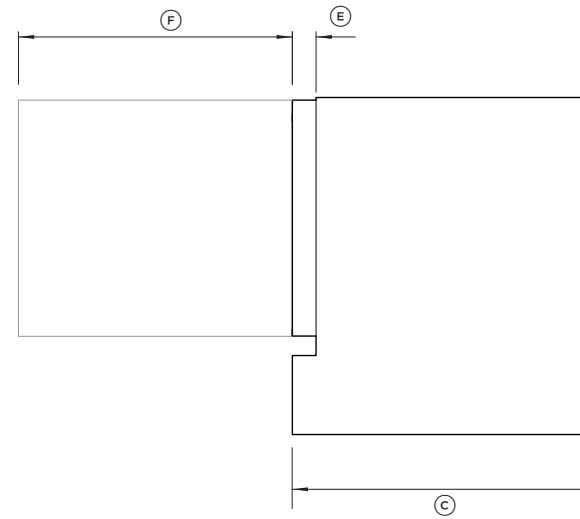
M5x25 Hex screw (2x)

DESCRIPTION	MODEL CODE
Stainless steel round handle	RD3625
Stainless steel round flush handle	AHP3-RD36S

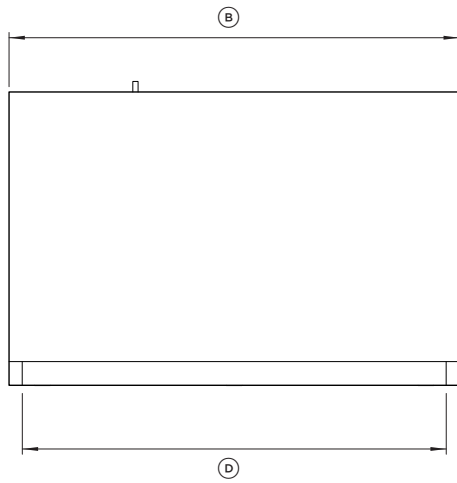
COOLDRAWER™ DIMENSIONS



FRONT VIEW



PROFILE VIEW



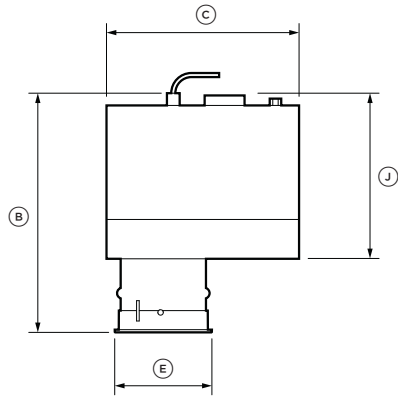
PLAN VIEW

PRODUCT DIMENSIONS	IN	MM
Ⓐ Overall height of product*	25 3/16	640
Ⓑ Overall width of product*	33 11/16	855
Ⓒ Depth of chassis**	21 15/16	557
Ⓓ Width of internal drawer front	31 11/16	805
Ⓔ Depth of internal drawer front	1 3/4	45
Ⓕ Depth of drawer (open) measured from front*	20 1/2	520

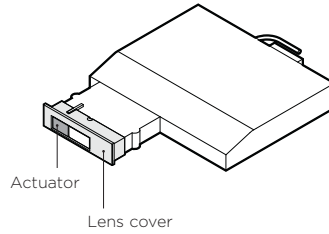
* Does not include Stainless steel or custom door panel, false panel and handle.

**Includes power terminal.

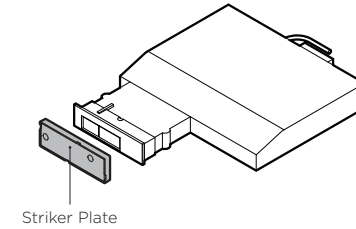
ASSISTED OPENING ACCESSORY DIMENSIONS



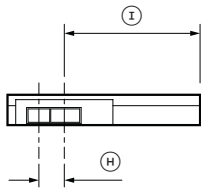
PLAN VIEW



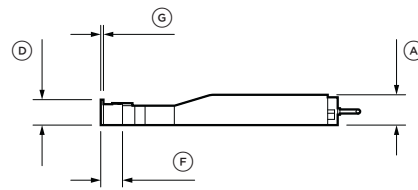
ISOMETRIC VIEW



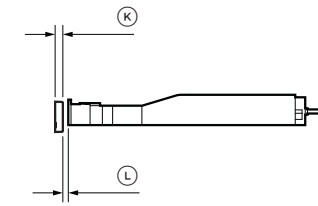
ISOMETRIC VIEW



FRONT VIEW



PROFILE VIEW



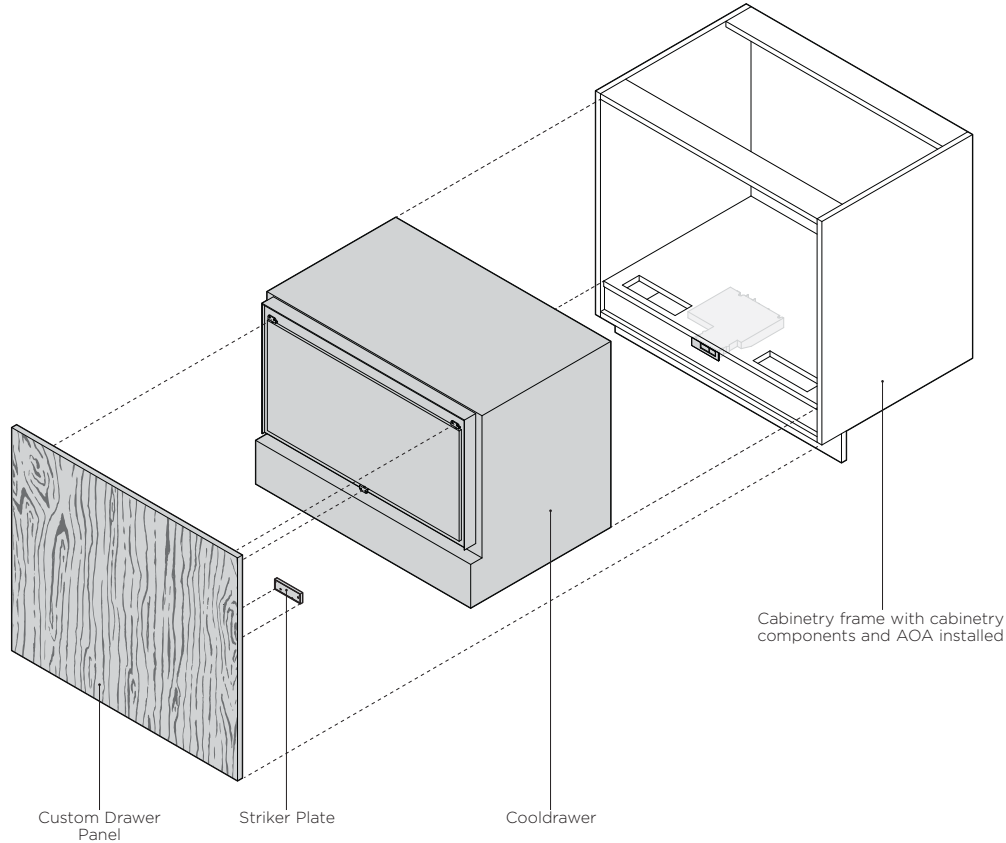
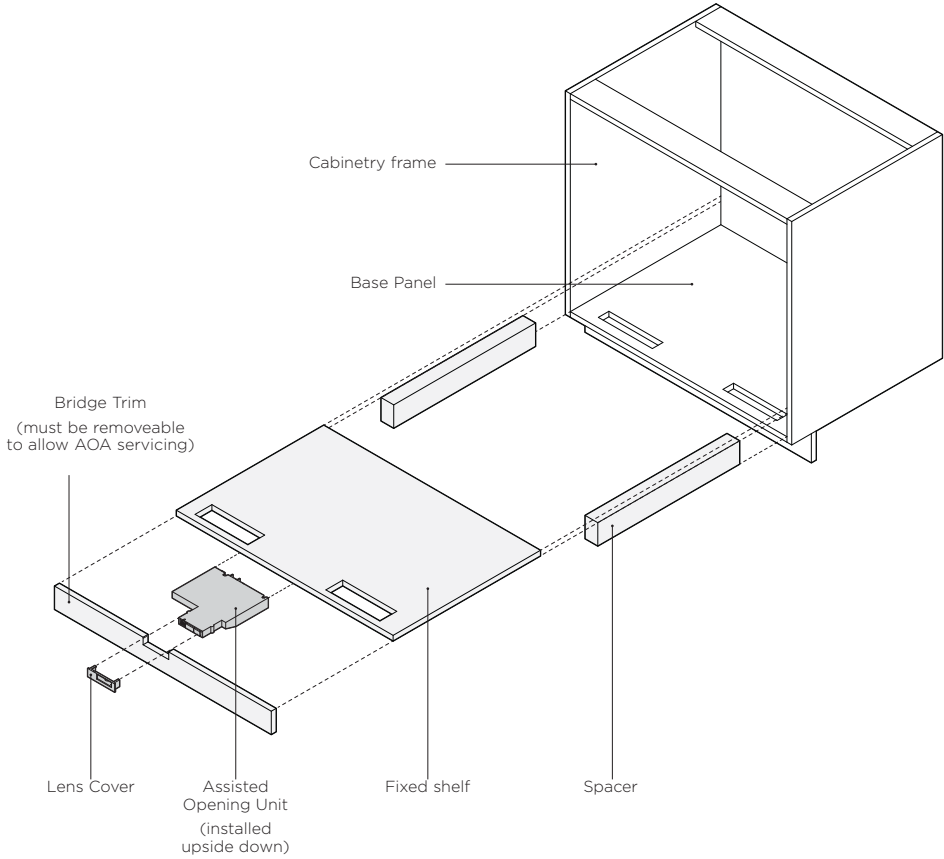
PROFILE VIEW

ASSISTED OPENING ACCESSORY DIMENSIONS	IN	MM
(A) Overall height of Assisted Opening Accessory	1 11/32	34
(B) Overall depth of Assisted Opening Accessory	10 3/8	264
(C) Overall width of Assisted Opening Accessory	8 3/8	213
(D) Height of lens cover	1 3/32	28
(E) Width of lens cover	4 7/32	107
(F) Depth of lens cover	15/16	24

	IN	MM
(G) Depth of lens cover flange	15/16	3
(H) Distance between centre of lens cover and centre of actuator*	1 1/8	28
(I) Distance between center of lens cover and outside of main body	5 7/8	150
(J) Depth of main body	7 3/16	182
(K) Depth of Striker Plate	3/8	9
(L) Distance between lens cover and striker plate - CRITICAL	1/4	6

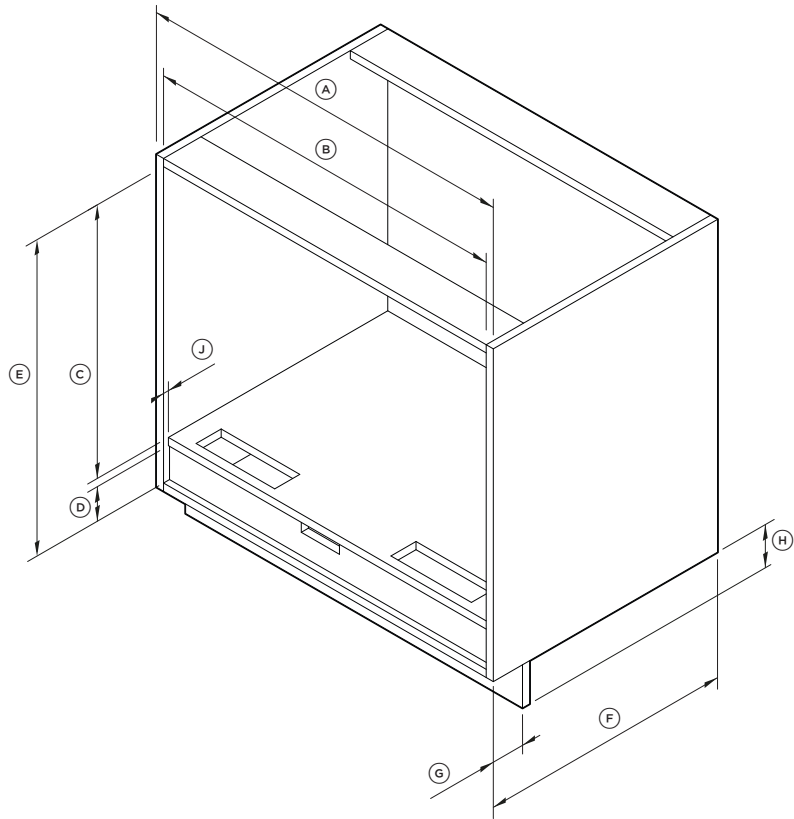
* Recommended for centre of actuator to be centred in appliance cavity

PRODUCT AND CABINETY OVERVIEW

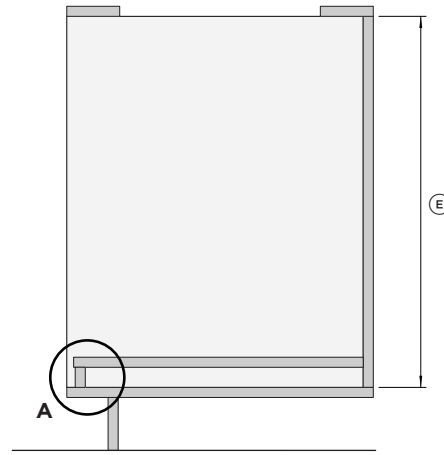


EXPLODED ISOMETRIC VIEW

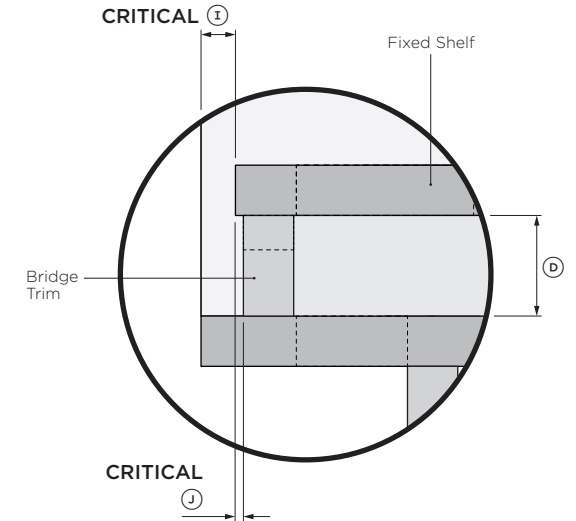
CABINETY DIMENSIONS



ISOMETRIC VIEW



PROFILE VIEW



DETAIL A

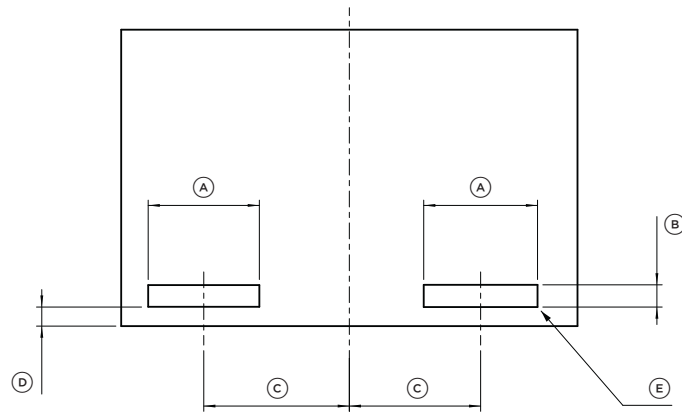
DIMENSIONS	IN	MM
Ⓐ Overall width of cabinetry frame	35 7/16	900
Ⓑ Inside width of cabinetry frame	33 15/16	862
Ⓒ Inside height from top inner face of cabinetry frame to top fixed shelf	25 3/8	644
Ⓓ Clearance height for AOA unit *	min 1 1/2	min 38
Ⓔ Inside height of cabinetry frame **	min 27 5/8	min 701
Ⓕ Inside depth of cabinetry carcass	min 22 1/16	min 560
Ⓖ Distance from front of cabinet carcass to front of kick panel	min 3 1/16	min 78
Ⓗ Kick height	min 1 15/16	min 50
Ⓘ Fixed shelf set back from front of cabinetry carcass - CRITICAL	7/16	11
⓵ Bridge trim set back from front of fixed shelf - CRITICAL	1/8	3

* Increase to suit taller cabinet height

** Includes 3/4" fixed shelf

CABINETY DIMENSIONS

BASE PANEL

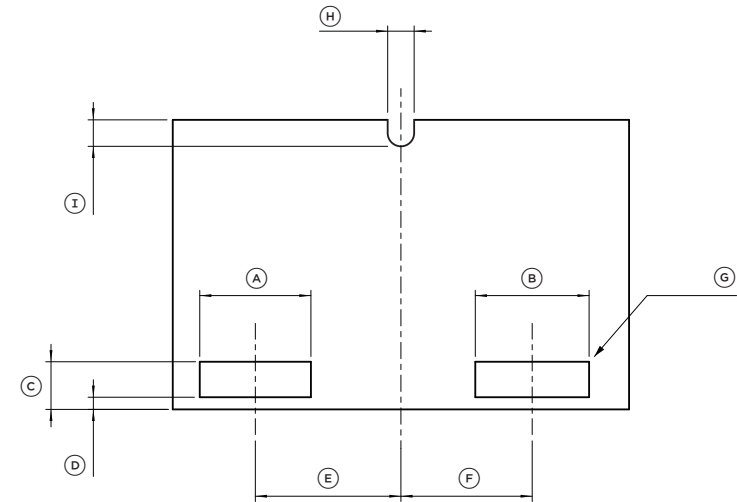


PLAN VIEW

CABINETY BASE PANEL DIMENSIONS	IN	MM
Ⓐ Width of cutouts	8 7/16	215
Ⓑ Depth of cutouts	1 5/8	42
Ⓒ Centre of cutout to centre of cabinetry base panel	9 3/4	248
Ⓓ Distance from front of base panel to front of cutouts*	1 5/16	33
Ⓔ Corner radii of cutouts	max 9/16	max 15

* Based on bridge trim panel thickness of 3/4"

FIXED SHELF



PLAN VIEW

FIXED SHELF DIMENSIONS	IN	MM
Ⓐ Width of left hand cutout	8 1/4	210
Ⓑ Width of right hand cutout	8 7/16	215
Ⓒ Depth of cutouts front of fixed shelf to rear of cutout	3 9/16	90
Ⓓ Distance from front of fixed shelf to front of cutouts*	7/8	22
Ⓔ Centre of left hand cutout to centre of shelf	10 13/16	275
Ⓕ Centre of right hand cutout to centre of shelf	9 3/4	248
Ⓖ Corner radii of cutouts	max 9/16	max 15
Ⓗ Width of cutout for power cord	min 1 15/16	min 50
Ⓖ Depth of cutout for power cord	min 1 15/16	min 50

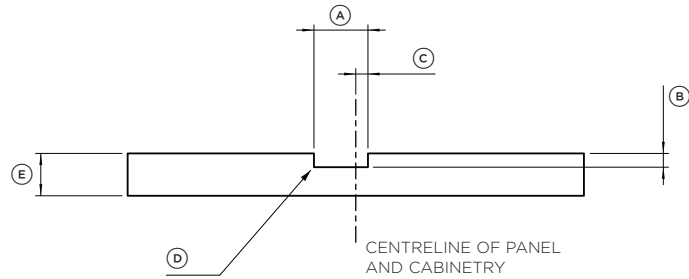
* Based on bridge trim panel thickness of 3/4"

CABINERY DIMENSIONS

BRIDGE TRIM

IMPORTANT:

- Cutout not central to panel and cabinetry.
- Bridge trim must be removable to allow servicing of AOA unit.

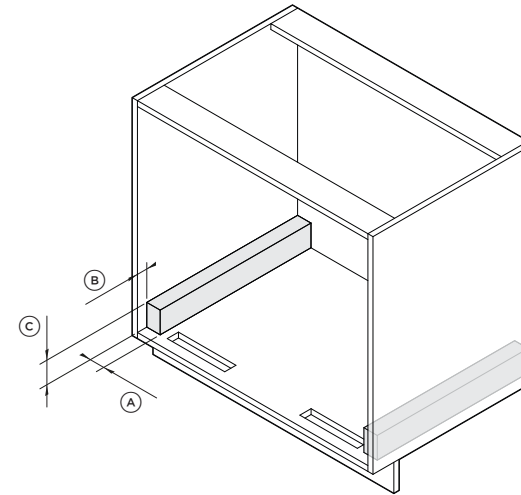


FRONT VIEW

BRIDGE TRIM PANEL DIMENSIONS	IN	MM
Ⓐ Width of cutout	4	102
Ⓑ Height of cutout	1	26
Ⓒ Centre of cutout to centre of bridge trim panel	1 1/8	28
Ⓓ Corner radii of cutouts	max 3/16	max 5
Ⓔ Minimum height of bridge trim *	1 7/16	37

* Based on minimum spacer height of 1 1/2". Allows for 1/16" clearance to cabinetry. Panel must be removable for servicing.

SPACERS



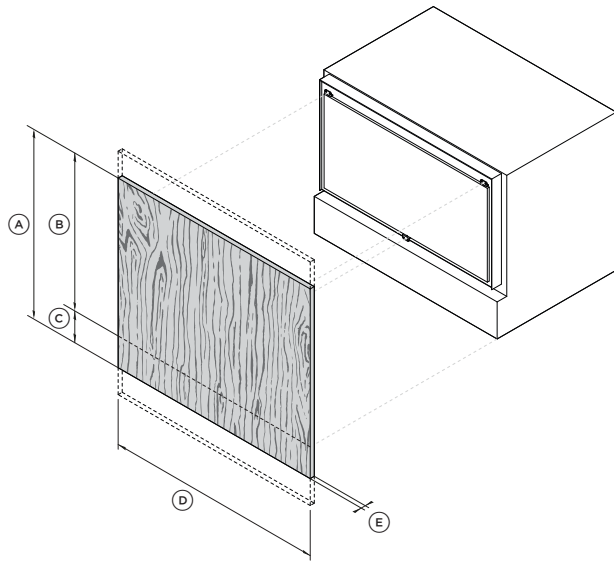
ISOMETRIC VIEW

SPACER DIMENSIONS	IN	MM
Ⓐ Width of spacers	1 7/16-1 15/16	36-50
Ⓑ Setback of spacer from front of cabinet frame*	1 3/8	35
Ⓒ Height of spacer**	min 1 1/2	min 38

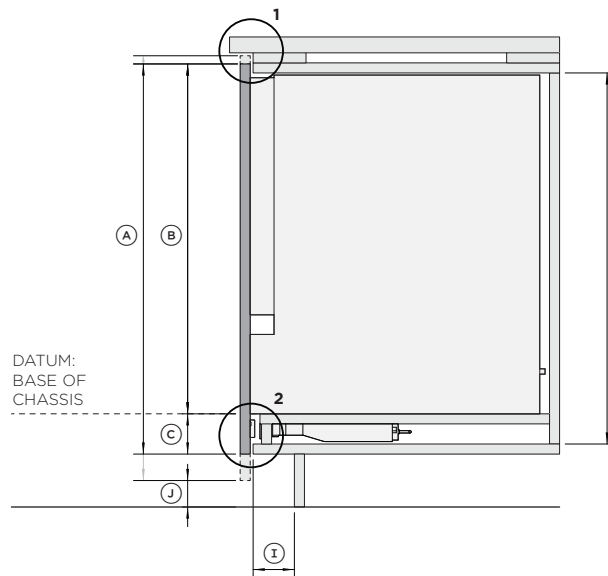
* Based on bridge trim panel thickness of 3/4"

** Minimum height to fit Assisted Opening Unit.

CUSTOM PANEL DIMENSIONS



ISOMETRIC VIEW



PROFILE VIEW

DRAWER PANEL DIMENSIONS

	IN	MM
(A) Height of custom drawer panel *	min 29	min 737
(B) Height from base of chassis to top of custom drawer panel *	min 26	min 661
(C) Height from base of chassis to base of custom drawer panel *	min 3	min 76
(D) Width of custom drawer panel	min 35 1/4	min 896
(E) Depth of custom drawer panel	5/8 - 13/16	16 - 20
Maximum weight of drawer (including handle)	15.5lb	7 kg

* Based on minimum internal cabinetry frame height of 27 5/8" where 3/4" panels have been used for construction. Refer to page 'Cabinetry Dimensions' for further details.

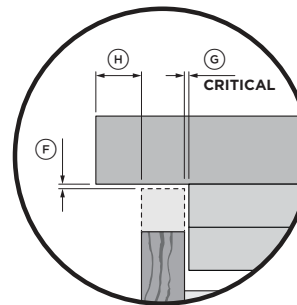
Custom drawer panel to be manufactured and fitted by cabinetmaker. These panels must be adequately sealed to withstand moisture (122°F @ 80% RH).

CLEARANCE DIMENSIONS

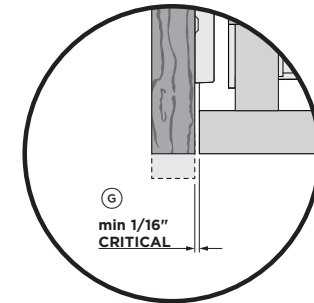
	IN	MM
(F) Clearance between top of custom drawer panel and underside of benchtop	min 1/16	min 2
(G) Clearance between back of custom drawer panel to front of cabinetry carcass	min 1/16	min 2
(H) Clearance between front end of benchtop to front surface of custom drawer panel	max 13/16	max 20
(I) Depth from front of cabinetry carcass to front of kick strip*	min 3 1/16	min 78
(J) Height for ventilation**	min 1 15/16	min 50

* Minimum depth to ensure unobstructed airflow from outlet duct

** Minimum height to ensure adequate airflow to prevent condensation build up on the floor.



DETAIL 1

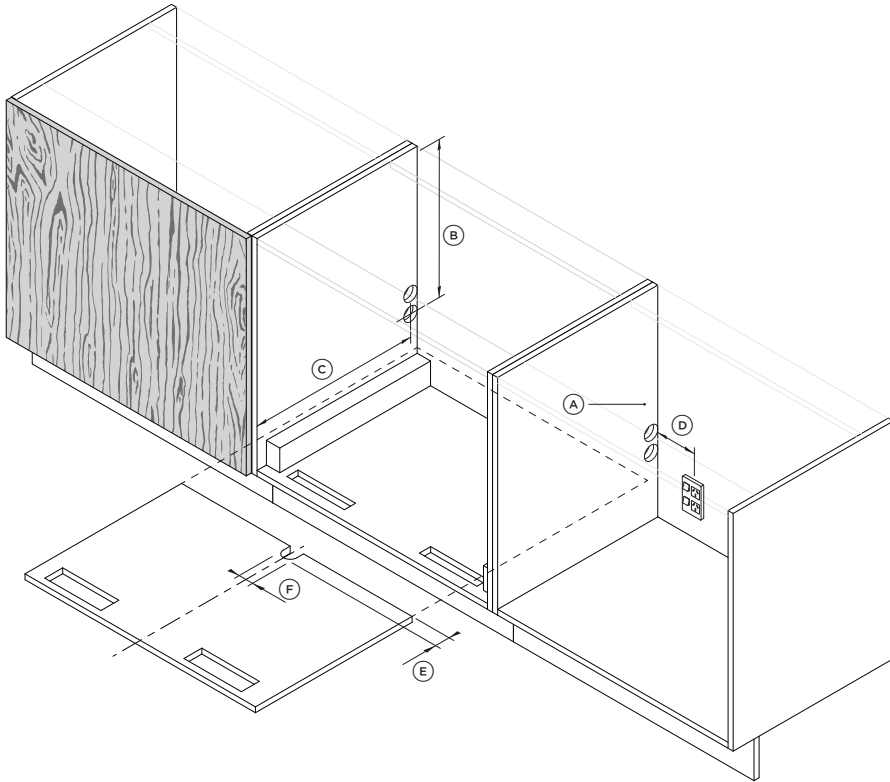


DETAIL 2

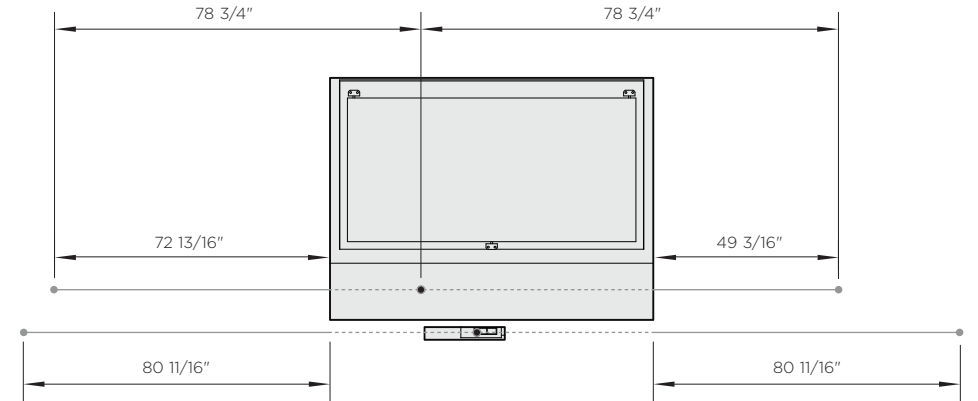
CRITICAL GAP FOR ASSISTED OPENING TO FUNCTION

ELECTRICAL CONNECTION

Services can be located on either side of the CoolDrawer™ and Assisted Opening Accessory. Disconnect power to surrounding appliances before preparing the cavity.



SUPPLY DIMENSIONS	IN	MM
Ⓐ Diameter of supply area cutout	Ø 1 15/16	Ø 50
Ⓑ Distance from top of cabinet cavity to centre of supply area cutout	max 20 1/4	max 515
Ⓒ Distance from front of cabinetry frame to centre of supply area cutout	min 21 1/16	min 535
Ⓓ Distance of supply area cutout to power outlet - left	max 57 1/16	max 1450
Ⓔ Distance of supply area cutout to power outlet - right (shown)	max 33 7/16	max 850
Ⓕ Depth of cutout in fixed shelf	1 15/16	50
Ⓖ Width of cutout in fixed shelf	1 15/16	50



COOLDRAWER ELECTRICAL SPECIFICATIONS

Supply	115 VAC, 60 Hz
Service	10 amp circuit
Socket	3-prong grounding-type
Total length of power cord	78 3/4" (2000mm)
Power cord length exiting from left side of product	72 13/16" (1850mm)
Power cord length exiting from right side of product	49 3/16" (1250mm)

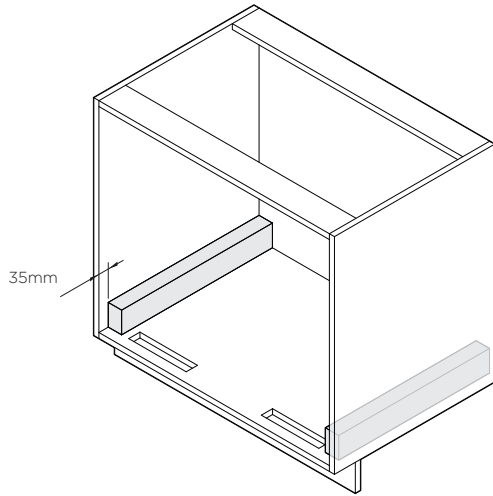
ASSISTED OPENING ELECTRICAL SPECIFICATIONS

Supply	120 V, 50 Hz
Service	10 amp circuit
Socket	3-prong grounding-type
Total length of power cord	118 1/8" (3000mm)
Power cord length exiting from left or right side of cabinet	80 11/16" (2050mm)

CABINET PREPARATION

INSTALL SPACERS

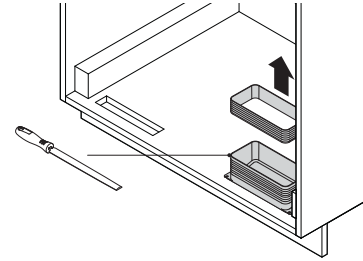
1



Secure spacers to either side of cabinet. Ensure there is 35mm* clearance to front of cabinetry frame.

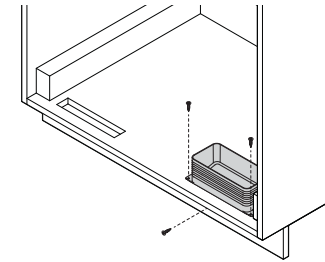
*based on 3/4" bridge trim panel.

3



Smooth the sharp edges eg. with a file.

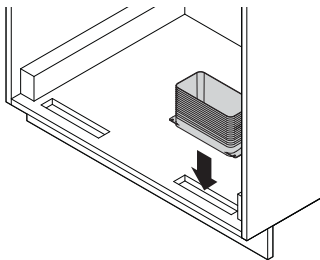
4



Secure the vent ducts by fixing with screws (3x).

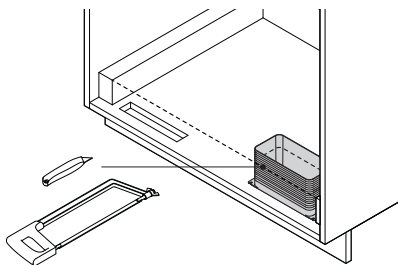
ATTACH VENT DUCT

1



Locate the vent duct in the right hand slots in the cabinetry frame.

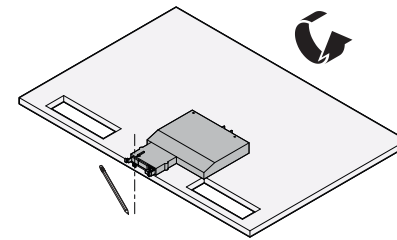
2



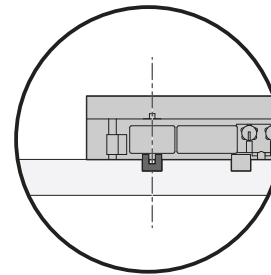
Cut the vent duct to be flush with the top of the spacers.

ATTACH ASSISTED OPENING UNIT

1



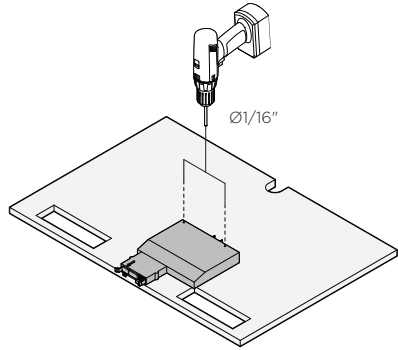
Rotate fixed shelf to be upside down. Measure and mark the centre of the shelf.



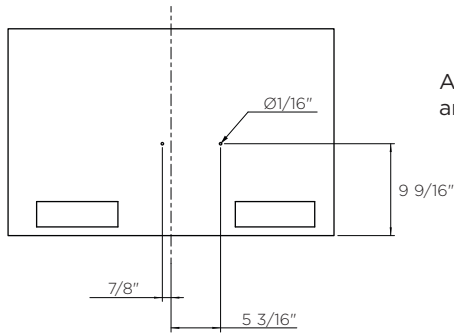
Align the accessory to the centre of the shelf.

INSTALL ASSISTED OPENING ACCESSORY

2

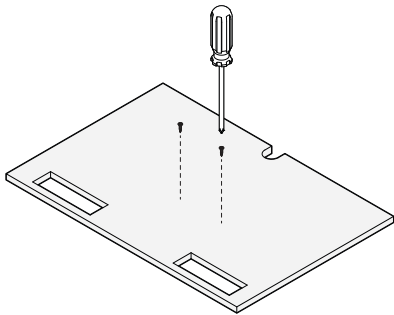


Locate holes at rear of AOA unit marked with drill symbol.
Spot drill 2x 1/16" pilot holes into the shelf using the marked holes as a guide.



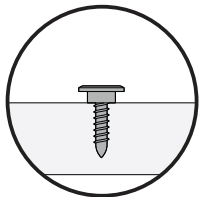
Alternately measure positions of holes and drill pilot holes.

3

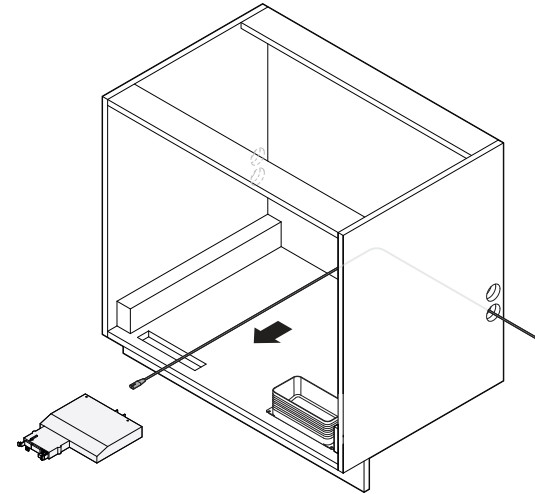


Remove accessory before securing 2 x shoulder screws through pilot holes.

Ensure shoulder is flush with shelf surface.

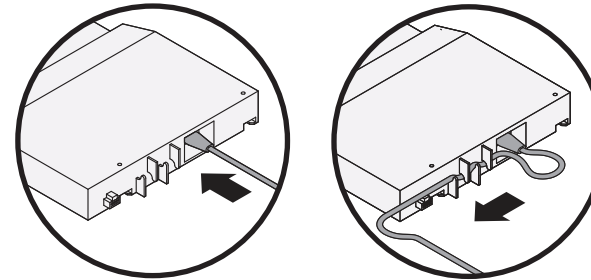


1



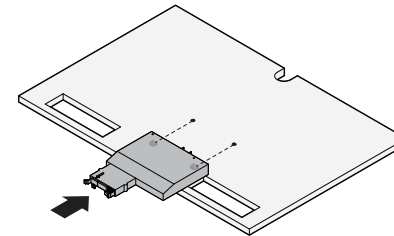
Route the accessory power cord from the rear of the cabinetry.

2



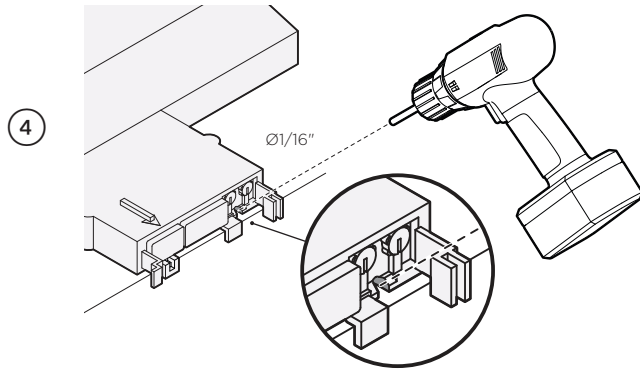
Connect power cord to accessory before routing the power cord through strain relief bracket.

3

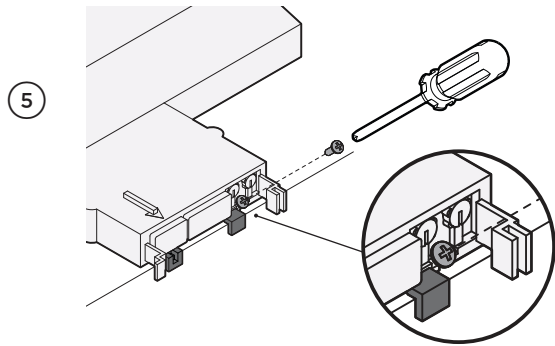


Slot the accessory onto the shoulder bolts and remove any excess slack in the power cord.

INSTALL ASSISTED OPENING ACCESSORY

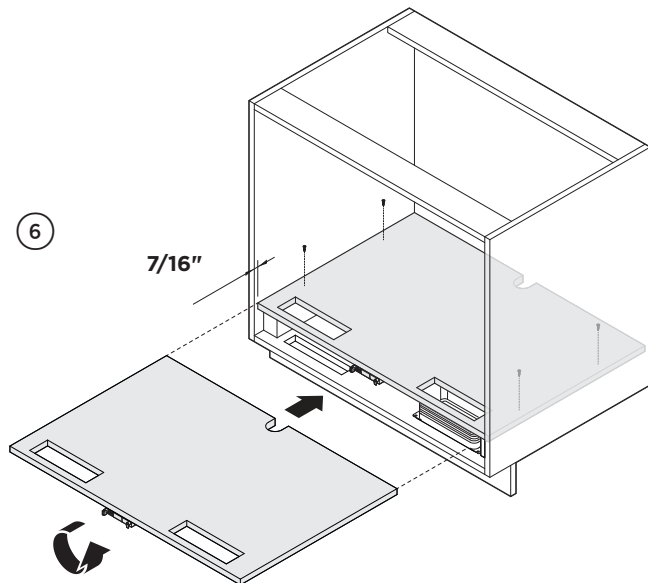


Pre-drill $\text{Ø}1/16''$ pilot hole at a 45° angle using the accessory as a guide.



Snap off the lower locating tabs. Do not snap off side tabs as they are still required for installation.

Fit the front screw through the pilot hole using a Phillips screwdriver.



Rotate shelf to be facing upward, with AOA fixed below.

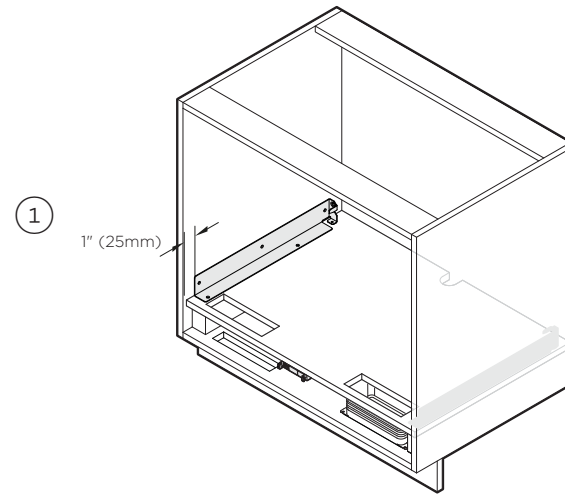
Position shelf on top of spacers and remove any excess slack in the power cord.

Ensure front edge is located $7/16''$ from front edge of cabinetry carcass.

CRITICAL - Secure shelf to spacers.

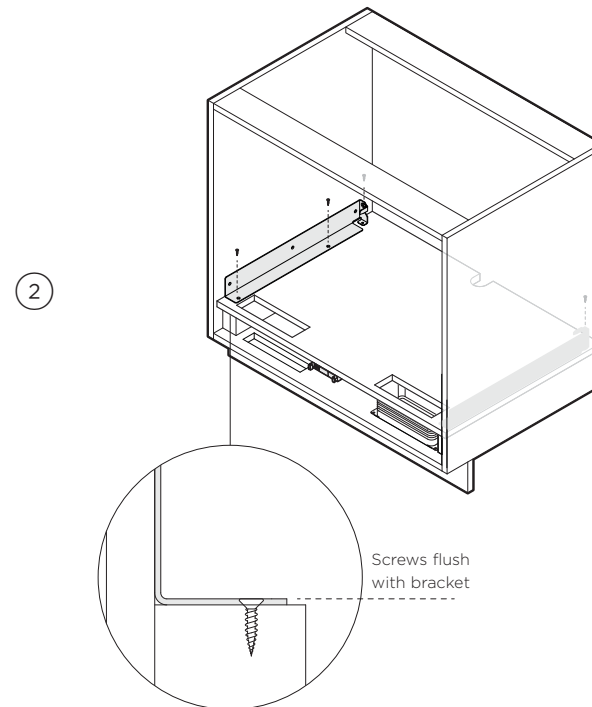
CABINERY PREPARATION

INSTALL BRACKETS



Locate the brackets to the top of each spacer.

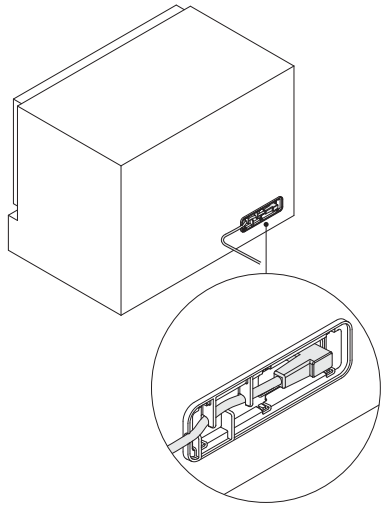
Ensure there is 1" (25mm) clearance between the front end of cabinetry frame and front of bracket.



Secure each bracket to the spacer with countersunk screws (3x).

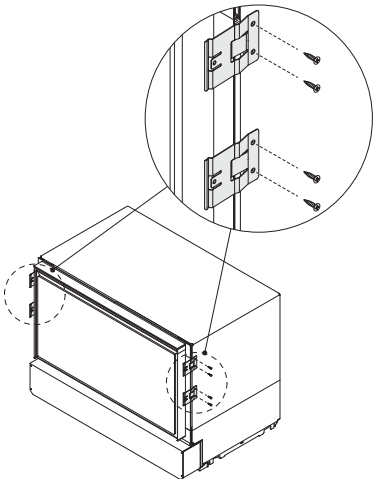
ATTACH POWER CORD & TRIM BRACKETS

1



Connect the power plug to the back of the Cooldrawer™ and clip the cord in place.

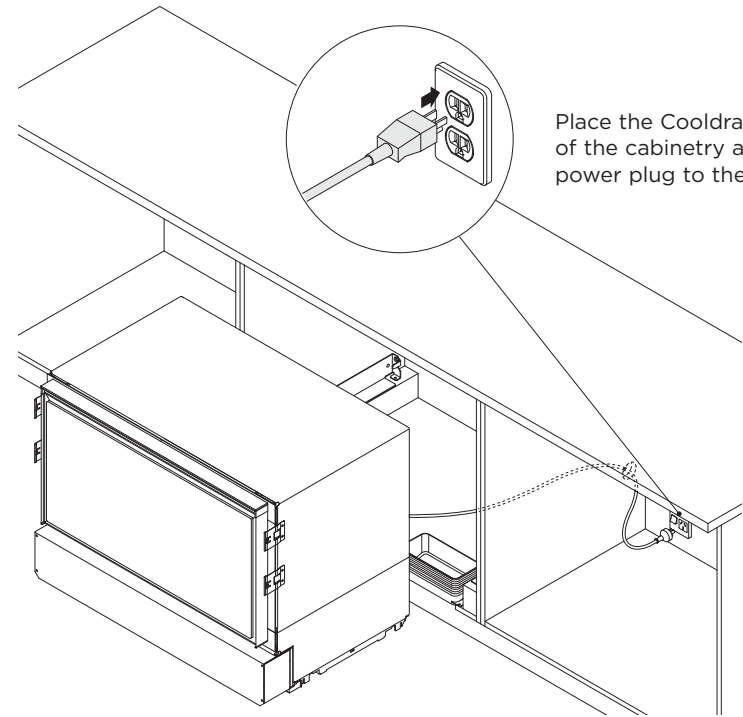
2



Secure the trim brackets with screws to the side of the Cooldrawer™ in the correct orientation.

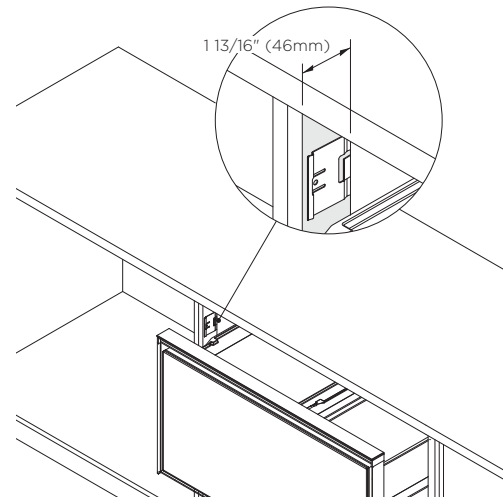
POSITION PRODUCT INTO CABINERY

1



Place the Cooldrawer™ in front of the cabinetry and connect the power plug to the power outlet.

2

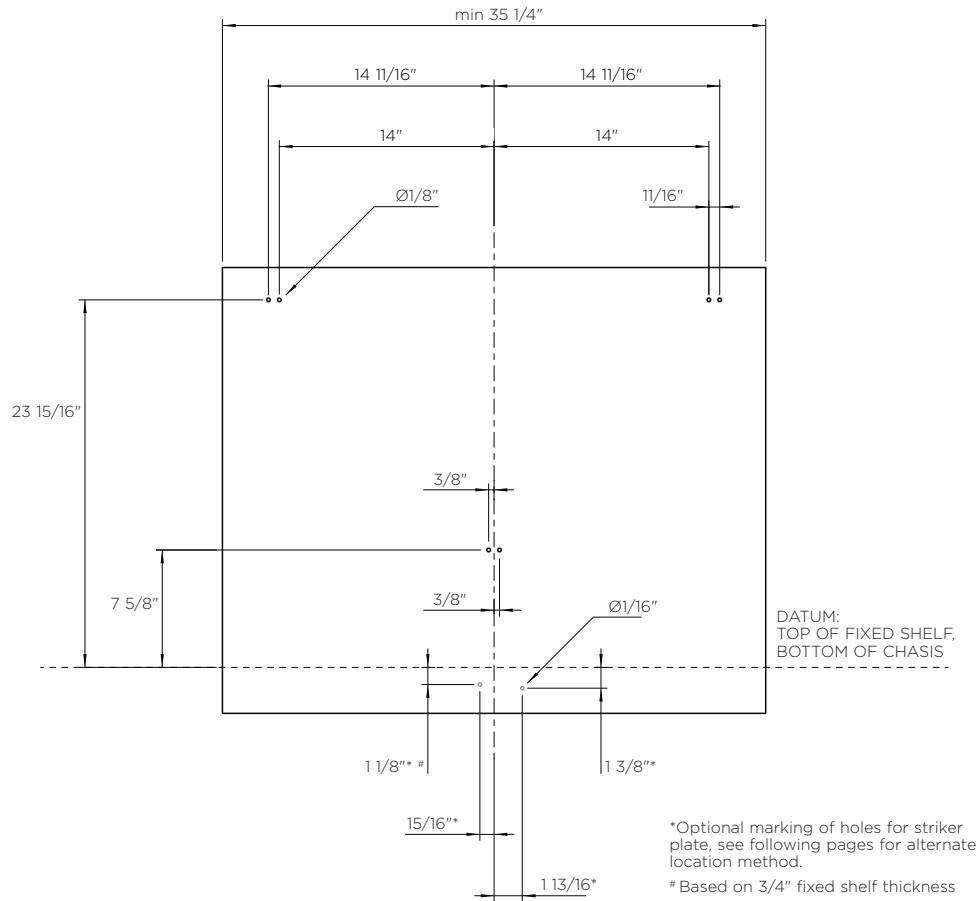


Slide the Cooldrawer™ into the cavity.
Do not screw in the trim brackets at this stage.

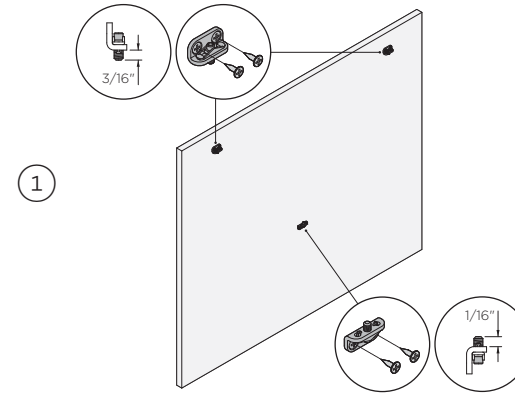
PANEL PREPARATION

CUSTOM PANEL

Refer to the dimensions below for the preparation of the Custom door panel when attaching the attachment hooks. On the rear of the panel predrill holes using a $\varnothing 1/8''$ drillbit, ensure you do not drill all the way through the custom panel.

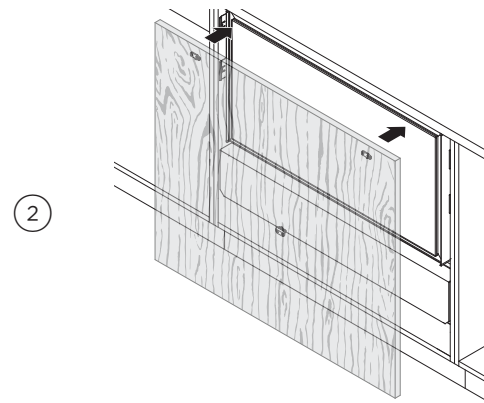


ATTACH DRAWER PANEL

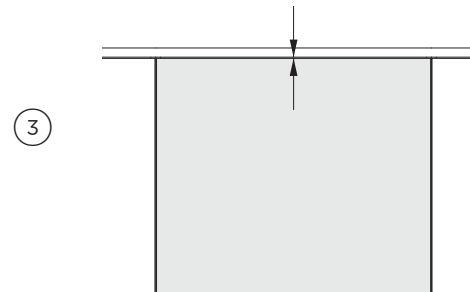


Locate the top attachment hooks (2x) in correct orientation to the predrilled holes at the back of drawer panel, and secure with screws. Tighten the locking screw of each hook to depth of $3/16''$.

Locate the bottom attachment hook (1x) in correct orientation to the predrilled holes at bottom middle of the back of drawer panel, and secure with screw. Tighten the locking screw of the bottom attachment hook to depth of $1/16''$.

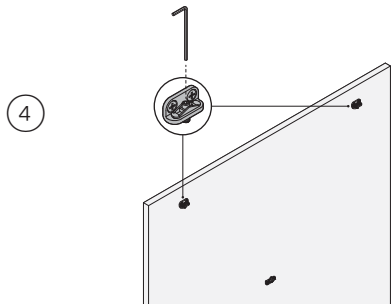


Hook the panel onto the drawer front channel.



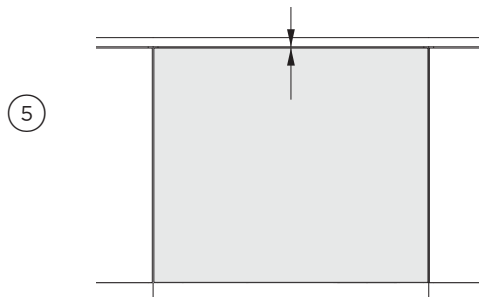
Close the drawer and check vertical clearances.

ATTACH DRAWER PANEL



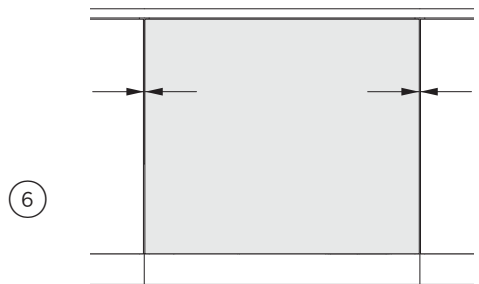
4

Remove the panel and adjust the top attachment hooks as necessary.



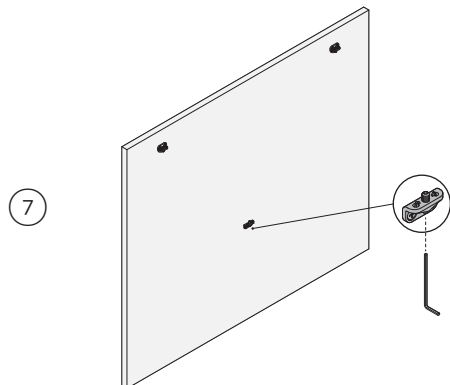
5

Replace the panel on the drawer and confirm vertical clearances.



6

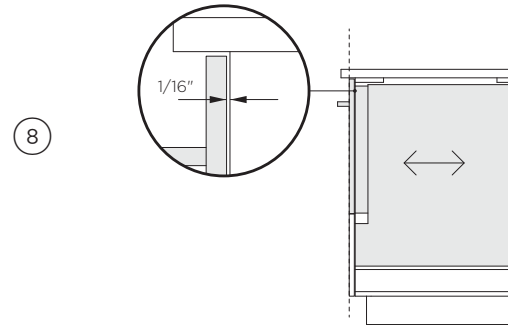
Slide the panel to achieve even horizontal clearances.



7

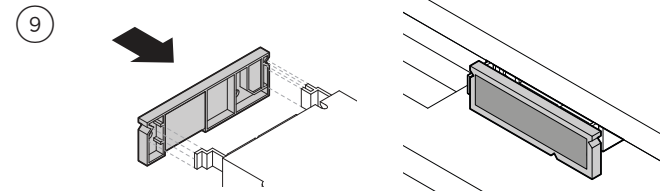
Open the drawer and clamp the panel onto the drawer by tightening the bottom attachment hook.

ATTACH DRAWER PANEL



8

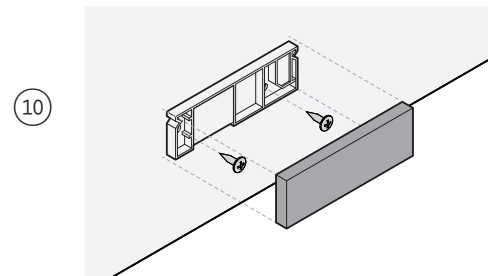
Close the drawer and ensure there is a 2mm clearance between the rear of the panel and cabinetry frame when the drawer is fully closed. If not, the product may have to be pulled back or forward.



9

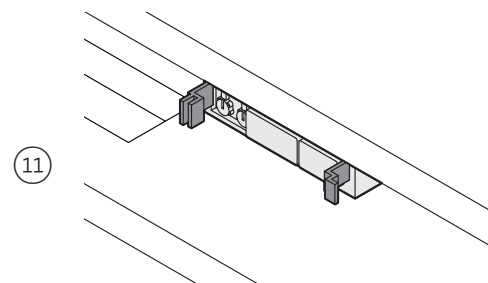
Remove the adhesive from the striker plate and clip onto the accessory. Ensure the V notch on striker plate aligns with arrow on the accessory

Close the door and apply pressure to secure striker plate to rear of door panel.



10

Open the door and fit 2 x screws to the striker plate. Clip striker plate cover into place.

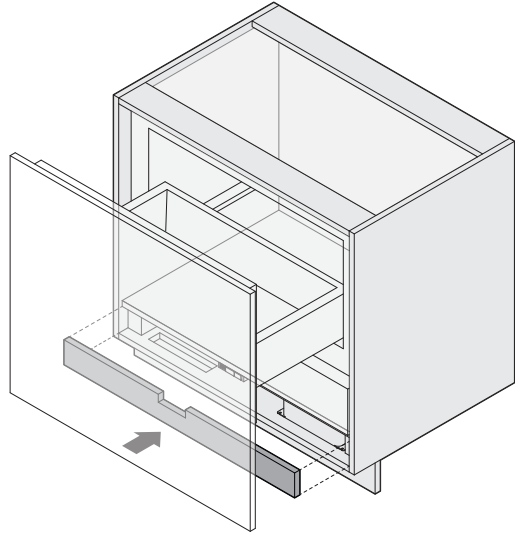


11

Snap off the remaining locating tabs. Adjust settings if required.

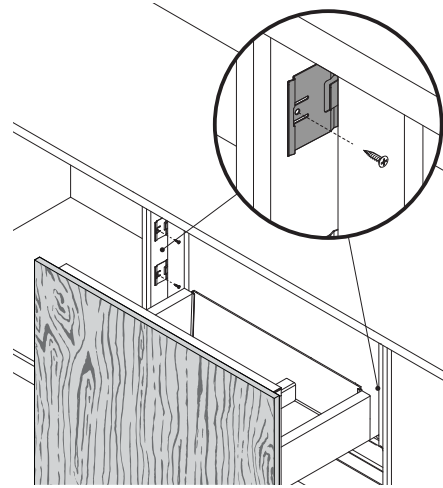
ATTACH BRIDGE TRIM

12



With the drawer open place bridge trim panel. Secure with the ability to remove for servicing

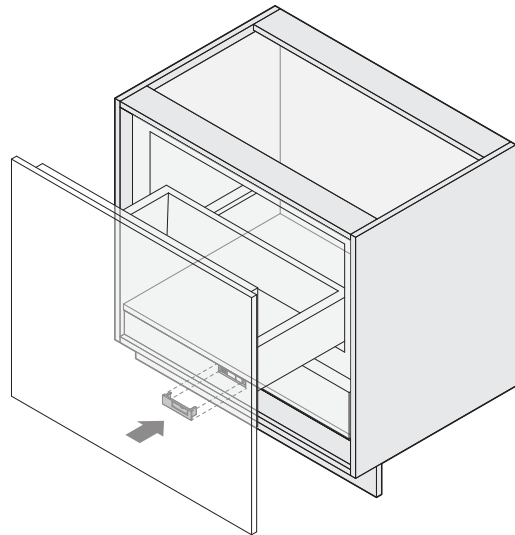
SECURE PRODUCT TO CABINETRY



Ensure there is a 1/16" clearance between the rear of the panel and cabinetry frame when the drawer is fully closed. Adjust if required.

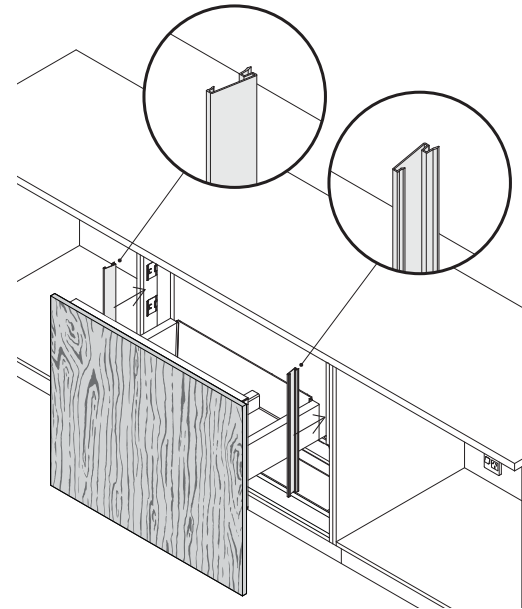
Open the drawer and secure the product to the cabinetry by securing the four trim brackets with screws.

ATTACH LENS COVER



With the drawer open clip lens cover onto accessory unit.

ATTACH SIDE TRIMS TO CABINETRY



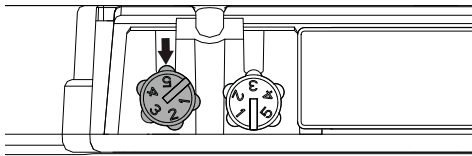
Install the side trims to the trim brackets in the correct orientation.

TEST ASSISTED OPENING ACCESSORY

ADJUST MODE

The **MODE** dial can be used to adjust the overall use settings of your Assisted Opening Accessory.

MODE	DESCRIPTION
1 - DEACTIVATED	Prevents the Assisted Opening Accessory from operating during installation. Your Accessory will not operate if left in this setting.
2 - SMALL OPENING	Sets the opening distance to its minimum.*
3 & 4 - LARGE OPENING	Sets the opening distance to its maximum.*
5 - DRAWER	Sets the opening distance to its maximum.* Recommended for all drawer installations.

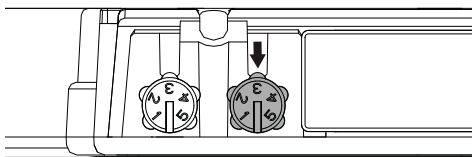


Rotate the dial using a flat-bladed screwdriver until the desired setting is selected.

ADJUST SENSITIVITY

Sensitivity

The **SENSITIVITY** dial can be used to adjust the push/pull sensitivity of your Assisted Opening Accessory. The sensitivity cannot be adjusted on DishDrawer™ installations.



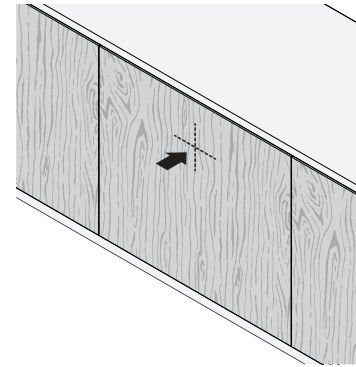
Rotate the dial using a flat-bladed screwdriver until the desired setting is selected.

Setting 1 is the least sensitive and 5 is the most sensitive.

*Opening distance will vary depending on custom panel thickness and the position of the Assisted Opening Accessory in the cavity.

TEST ASSISTED OPENING ACCESSORY

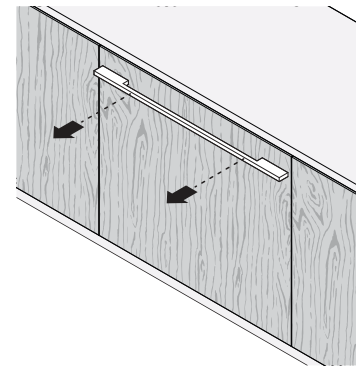
TEST



Push door

Push the door to open slightly. The door will remain ajar for four seconds.

Pull door to open fully. If left ajar, the door will automatically close again after four seconds.



Push handle

If handles are fitted, gently push the handle then pull to open slightly. The door will remain ajar for four seconds.

Pull door to open fully. If left ajar, the door will automatically close again after four seconds.

INSTALLER CHECKLIST

Read all installation guidance in this document to see if the unit has been correctly installed.
Ensure that installation has been completed correctly before use.

TO BE COMPLETED BY THE INSTALLER

Ensure that:

- | | |
|--|---|
| <input type="checkbox"/> Has all packaging been removed from the appliance? | <input type="checkbox"/> Is there clearance between drawer and cabinetry frame? |
| <input type="checkbox"/> Is the appliance securely fastened to the cabinetry? | <input type="checkbox"/> Has the power cord been plugged into a properly earthed 3-prong outlet, which has been installed in accordance with all applicable electrical codes? |
| <input type="checkbox"/> Does the drawer slide freely and close properly? | <input type="checkbox"/> Is the control panel lit? |
| <input type="checkbox"/> Has the outlet duct been installed correctly? | <input type="checkbox"/> Can you hear the compressor motor running? |
| <input type="checkbox"/> Is the appliance level? | <input type="checkbox"/> When a hand is placed near the toe kick, can airflow be felt under front right-hand side of appliance? |
| <input type="checkbox"/> Are the panels securely attached? | <input type="checkbox"/> Have you demonstrated the basic operation to the customer? |
| <input type="checkbox"/> Have the panels been properly aligned for correct operation and appearance?
Are all clearances even? | |

Complete and keep for safe reference:

Model _____
Serial No. _____
Purchase Date _____
Purchaser _____
Dealer Address _____
Installer's Name _____
Installer's Signature _____
Installation Company _____
Installation Date _____

FISHERPAYKEL.COM

© Fisher & Paykel Appliances 2021. All rights reserved.

The models shown in this guide may not be available in all markets
and are subject to change at any time.

The product specifications in this guide apply to the specific products and
models described at the date of issue. Under our policy of continuous product
improvement, these specifications may change at any time.

For current details about model and specification availability in your country,
please go to our website or contact your local Fisher & Paykel dealer.

433079A 07.25