

**SERIES 9 BUILT-UNDER TALL DISHWASHER**

---

# PLANNING GUIDE

---

**BUILT-UNDER TALL DISHWASHER** DW60UZT4B2 | DW60UNT4B2 | DW60UNT4X2 | DW60UDT4X4

**FISHER & PAYKEL**

**INTRODUCTION**

This comprehensive planning guide provides you with the framework and tools to achieve your desired design outcome with Fisher & Paykel appliances. In this guide, you will find a range of conceptual, detailed, and dimensional product information to bring your ideas to life and create spaces that truly reflect your vision.

**SUPPORT**

For additional design planning and installation support please contact the Fisher & Paykel design support team.  
**designsupport@fisherpaykel.com**

**NOTES**

The models shown in this Planning Guide may not be available in all markets and are subject to change at any time. Refer to our website fisherpaykel.com for the latest document version. Product specifications may vary from those shown. This Planning Guide should not be used as installation guidance for any product. Specific installation guidance will be available with the product on delivery and on our website.

**CONTENTS**

CONCEPT DESIGN	PAGE	DEVELOPED AND DETAILED DESIGN	PAGE	DEVELOPED AND DETAILED DESIGN	PAGE
<b>Design choice</b>	<b>3</b>	<b>Data Sheets</b>	<b>11</b>	<b>Services</b>	<b>14</b>
Dishwashing Styles	<b>4</b>	DW60UDT4X4	<b>12</b>	All Models	<b>15</b>
Model Overview	<b>5</b>	DW60UZT4B2, DW60UNT4B2, DW60UNT4X2	<b>13</b>		
<b>Specification guide</b>	<b>6</b>				
DW60UDT4X4	<b>7</b>				
DW60UZT4B2, DW60UNT4B2, DW60UNT4X2	<b>9</b>				

The models shown in this Planning Guide may not be available in all markets and are subject to change at any time. Product specifications may vary from those shown. This Planning Guide should not be used as installation guidance for any product. Further information is required to safely and correctly install the products featured here. Specific installation guidance will be available on our website fisherpaykel.com

## DESIGN CHOICE

**INTEGRATED**



**PANEL READY CUSTOM HANDLE**



With minimal installation gaps for a precise, flush fit, Integrated style Dishwashers blend effortlessly into surrounding cabinetry. Choose to fully conceal with custom panels or contrast with stainless steel finishes for a cohesive, considered kitchen design.

\* Handle and Door Panel accessories for integrated dishwashers are available on the website

**MINIMAL**



**MINIMAL PROUD HANDLE**



Minimal style Dishwashers are designed to recede within a kitchen space. For built-under or integrated installation, they feature a refined handle profile and top of door controls that preserve uninterrupted cabinetry lines. Quiet performance and flexible loading support everyday dishwashing without visual distraction.

**CONTEMPORARY**



**CONTEMPORARY PROUD HANDLE**



Defined by clean lines and timeless design cues, Contemporary style Dishwashers bring a sense of balance and refinement to the kitchen. The proud handle provides a confident visual statement, with a tactile element that complements the overall design aesthetic.



**CONTEMPORARY RECESSED HANDLE**



Defined by clean lines and timeless design cues, Contemporary style Dishwashers bring a sense of balance and refinement to the kitchen. The recessed handle creates a seamless, uninterrupted flow, a functional design detail that supports the clean aesthetic of recessed-handle kitchens and complements a range of interior styles.

The models shown in this Planning Guide may not be available in all markets and are subject to change at any time. Product specifications may vary from those shown. This Planning Guide should not be used as installation guidance for any product. Further information is required to safely and correctly install the products featured here. Specific installation guidance will be available with the product on delivery and on our website fisherpaykel.com

	HEIGHT	INTEGRATED	BUILT-UNDER				
			<p>Models covered in this Planning Guide</p>				
<b>STANDARD HEIGHT</b>	① DW60U4E13* Series 9 Integrated				⑧ DW60UD4X4 Series 7 Contemporary	⑩ DW60UN4X4 Series 7 Contemporary	⑫ DW60UN2X2 Series 5 Contemporary
	① DW60U4I2* Series 7 Integrated			⑦ DW60UM4G4 Series 7 Minimal			
	① DW60U2I2* Series 5 Integrated				⑨ DW60UD4B4 Series 7 Contemporary	⑪ DW60UN4B4 Series 7 Contemporary	⑬ DW60UN2B2 Series 5 Contemporary
<b>TALL HEIGHT</b>		② DW60UT4I2* Series 9 Integrated	③ DW60UDT4X4 Series 9 Contemporary	④ DW60UZT4B2 Series 9 Contemporary	Not available	Not available	Not available
				⑤ DW60UNT4B2 Series 9 Contemporary			
				⑥ DW60UNT4X2 Series 9 Contemporary			

\*Details for Handle and Door Panel accessories for integrated dishwashers are available on the website

The models shown in this Planning Guide may not be available in all markets and are subject to change at any time. Product specifications may vary from those shown. This Planning Guide should not be used as installation guidance for any product. Further information is required to safely and correctly install the products featured here. Specific installation guidance will be available with the product on delivery and on our website fisherpaykel.com

## SPECIFICATION GUIDE



### OVERVIEW

A tall built-under dishwasher with considered detailing and seamless integration, offering increased internal height for larger cookware and entertaining essentials. Telescopic slide racking supports flexible loading, complemented by interior illumination for improved visibility throughout. Auto sensing technology adjusts water and wash intensity automatically, and quiet performance suits open plan living.

### PRODUCTS

**Built-under Dishwasher, 60cm, Tall, Stainless Steel**  
DW60UDT4X4

Not all models are available in all markets

### SERIES & STYLE

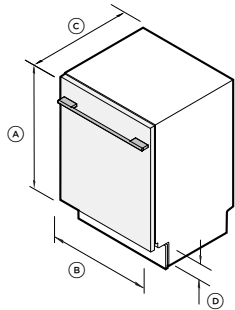
Series 9  
Contemporary Built-under Dishwasher

### FEATURES

- ① Tall built-under configuration for under benchtop installation
- ② Contemporary proud-handle styling with top-of-door controls and internal lighting
- ③ Eight wash cycles, and four modifiers for clean results
- ④ Pitch-adjustable tines adjust from 20mm to 40mm, plus stemware grippers for glassware
- ⑤ Cutlery tray and foldable tine section for platters and oven trays
- ⑥ Auto cycle through sensing supports appropriate wash selection
- ⑦ Auto Door Open Dry releases excess steam, while Air Curtain directs it away from surrounding cabinetry
- ⑧ 24 hour delay start for schedule flexibility
- ⑨ Quiet 42 dBA performance designed for everyday use in open plan kitchens
- ⑩ 4.5 star energy and 5.5 star water rating
- ⑪ Wi-Fi enabled and works with the SmartHQ™ app for remote control and notifications

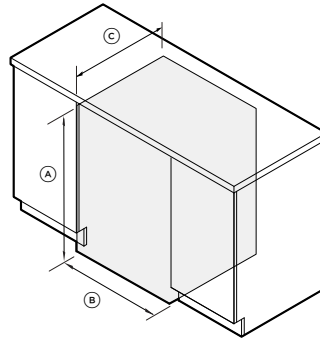
The models shown in this Planning Guide may not be available in all markets and are subject to change at any time. Product specifications may vary from those shown. This Planning Guide should not be used as installation guidance for any product. Further information is required to safely and correctly install the products featured here. Specific installation guidance will be available on our website [fisherpaykel.com](https://fisherpaykel.com)

**PRODUCT DIMENSIONS**



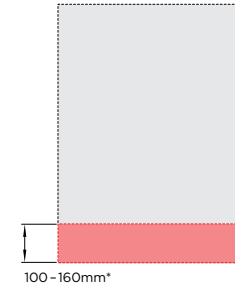
ISO VIEW

**CAVITY DIMENSIONS: STANDARD INSTALLATION**

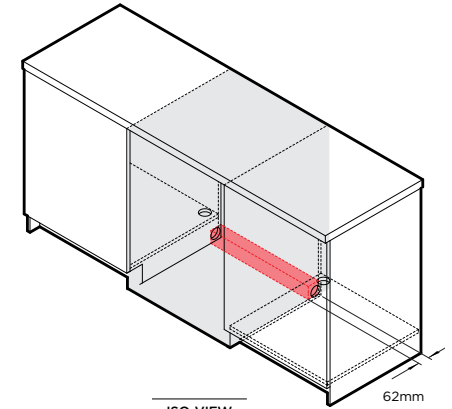


ISO VIEW

**PLUMBING AND ELECTRICAL**



REAR VIEW



ISO VIEW

	mm
Ⓐ Overall height*	857 - 917
Ⓑ Overall width**	598
Ⓒ Overall depth	580
Ⓓ Height from bottom of door to floor**	96 - 156

\* Depending on adjustment of levelling feet

\*\* Excluding side seals

\*\*\*Supplied with black toe kick but dishwasher supports installation with a custom toe kick

	mm
Ⓐ Overall height*	857 - 917
Ⓑ Overall width	Min 600
Ⓒ Overall depth of cavity**	Min 580

\*Depending on adjustment of levelling feet

\*\*Includes front panels

**PRODUCT SPECIFICATIONS**

<b>Model No.</b>	DW60UDT4X4
<b>Dimensions</b>	H 857 - 917mm W 598mm D 580mm
<b>Weight</b>	54 kg
<b>Packaged Weight</b>	62 kg
<b>Packaged dimensions</b>	H 890 x W 700 x D 660
<b>Electrical</b>	
Dedicated Service (A)	10
Rated Power (W)	2400
Supply (Hz)	50
Voltage (V)	220-240
Connection	Hard wired
<b>Plumbing</b>	
Supply	3/4" (20mm) BSP connector water inlet hose with
Pressure	Min 0.03 Mpa (4.35psi), Max 1 Mpa (145psi)

Service outlet at rear extends both sides, hoses and cords can be routed to either or both sides.

\*Depending on adjustment of levelling feet.

The models shown in this Planning Guide may not be available in all markets and are subject to change at any time. Product specifications may vary from those shown. This Planning Guide should not be used as installation guidance for any product. Further information is required to safely and correctly install the products featured here. Specific installation guidance will be available on our website [fisherpaykel.com](http://fisherpaykel.com)



DW60UN2B2



DW60UN2X2

### OVERVIEW

Designed to be integrated into your surrounding cabinetry for a seamless finish, these Tall models give generous internal space and installation flexibility for varying bench heights. Flexible storage allows for easy stacking, whilst the combination of clever technologies means a reliable wash performance.

### PRODUCTS

#### Integrated Dishwasher, 60cm, Tall

DW60UZT4B2 | DW60UNT4B2 | DW60UNT4X2

Not all models are available in all markets

### SERIES & STYLE

Series 9

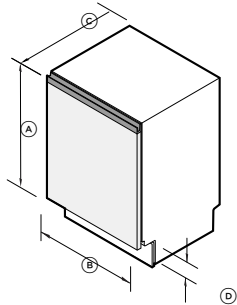
Built-under

### FEATURES

- ① Designed to be integrated into your cabinetry for a seamless finish, this model can be installed under bench with a minimum height of 857mm
- ② Tall height offers a generous 637mm of usable space and easily accommodates plate sizes up to 325mm
- ③ Eight wash programs including specialty Auto, Eco, 60 Min and Glassware cycles
- ④ Extra Dry, Sanitise, Half Load and Intensive wash modifiers provide extra wash options
- ⑤ Fan-assisted drying with end-of-cycle auto-door-open removes excess moisture, and leaves your dishes with a dry finish
- ⑥ An innovative air curtain channels the steam away from the adjacent benchtop, protecting your cabinetry
- ⑦ Fully flexible racking including height adjustable middle basket and cup racks, foldable wine racks, full-width utensil tray and cutlery basket
- ⑧ With touch controls, floor-light cycle status indicator and interior LED lighting
- ⑨ Wi-Fi capability and a SmartHQ™ app connectivity for remote control and notifications
- ⑩ 4.5 star energy and 5.5 star water rating
- ⑪ Quiet 42 dBA performance designed for everyday use in open plan kitchens\*

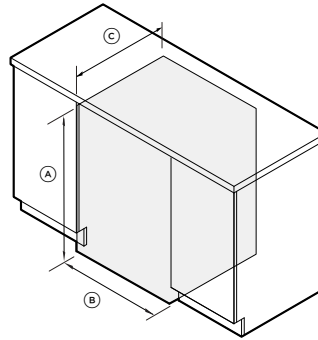
The models shown in this Planning Guide may not be available in all markets and are subject to change at any time. Product specifications may vary from those shown. This Planning Guide should not be used as installation guidance for any product. Further information is required to safely and correctly install the products featured here. Specific installation guidance will be available on our website [fisherpaykel.com](https://fisherpaykel.com)

**PRODUCT DIMENSIONS**



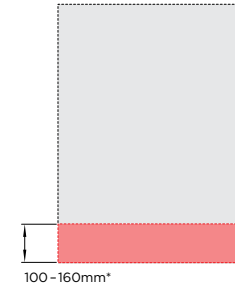
ISO VIEW

**CAVITY DIMENSIONS: STANDARD INSTALLATION**



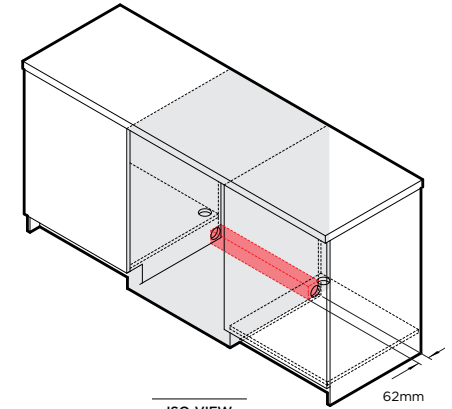
ISO VIEW

**PLUMBING AND ELECTRICAL**



100-160mm\*

REAR VIEW



ISO VIEW

	mm
Ⓐ Overall height*	857-917
Ⓑ Overall width**	598
Ⓒ Overall depth	580
Ⓓ Height from bottom of door to floor**	96 - 156

\* Depending on adjustment of levelling feet

\*\* Excluding side seals

\*\*\*Supplied with black toe kick but dishwasher supports installation with a custom toe kick

	mm
Ⓐ Overall height*	857 - 917
Ⓑ Overall width	min 600
Ⓒ Overall depth of cavity**	min 580

\*Depending on adjustment of levelling feet

\*\*Includes front panels

**PRODUCT SPECIFICATIONS**

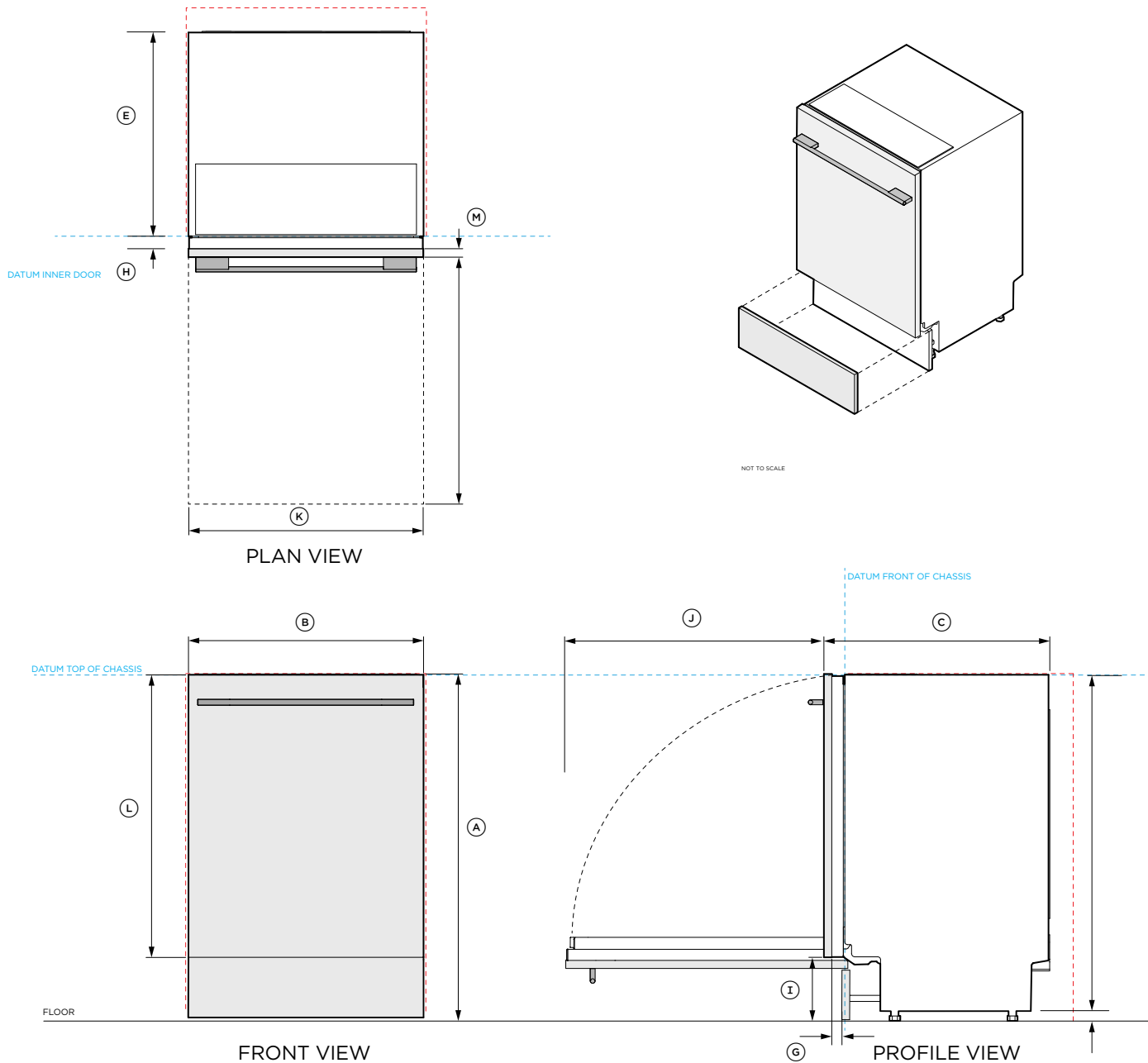
<b>Model No.</b>	DW60UZT4B2, DW60UNT4B2, DW60UNT4X2
<b>Dimensions</b>	H 857-917mm W 598mm D 580mm
<b>Weight</b>	54 kg
<b>Packaged Weight</b>	62 kg
<b>Packaged dimensions</b>	H 890 x W 700 x D 660
<b>Electrical</b>	
Dedicated Service (A)	10
Rated Power (W)	2400
Supply (Hz)	50
Voltage (V)	220-240
Connection	Hard wired
<b>Plumbing</b>	
Supply	3/4" (20mm) BSP connector water inlet hose with
Pressure	Min 0.03 Mpa (4.35psi), Max 1 Mpa (145psi)

Service outlet at rear extends both sides, hoses and cords can be routed to either or both sides.

\*Depending on adjustment of levelling feet.

The models shown in this Planning Guide may not be available in all markets and are subject to change at any time. Product specifications may vary from those shown. This Planning Guide should not be used as installation guidance for any product. Further information is required to safely and correctly install the products featured here. Specific installation guidance will be available on our website [fisherpaykel.com](http://fisherpaykel.com)

## DATA SHEETS



**Model nos:**  
DW60UDT4X4

Product Dimensions	mm
Ⓐ Overall height of product*	857 - 917
Ⓑ Overall width of product**	598
Ⓒ Overall depth of product (excl. handle)	580
Ⓓ Height of chassis	857
Ⓔ Depth of chassis (excl. inner door)	521
Ⓕ Height of feet*	0 - 60
Ⓖ Depth of toe kick recess	45 - 120
Ⓜ Depth of inner door	28
Ⓜ Height from bottom of door to floor*	96 - 156
Ⓜ Depth of open door	Min 673
Ⓧ Width of custom door panel	595
Ⓛ Height of door panel	714
Ⓜ Thickness door panel	20

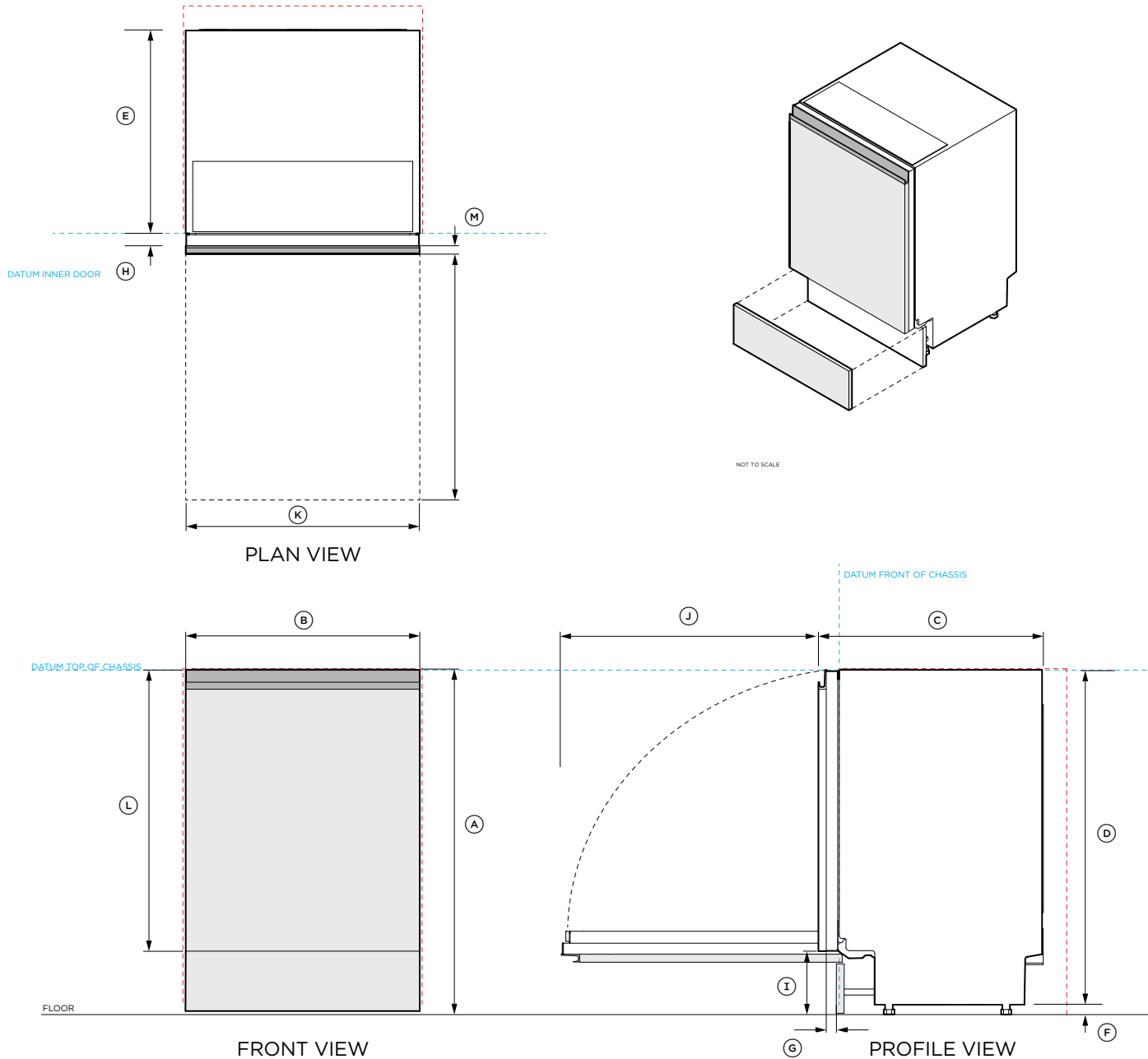
\*Depending on adjustment of levelling feet  
\*\*Excluding side seals

Minimum Clearances	mm
Inside height of cavity*	857 - 917
Minimum inside width of cavity	600
Minimum overall depth of cavity	580
Minimum clearance to corner cupboard	13
Height of toe kick area*	96 - 156
Minimum clearance to adjacent cupboard door	2

\*Depending on adjustment of levelling feet

PRODUCT DATUM -----  
INDICATES CABINETRY CLEARANCES -----

**IMPORTANT NOTE:** Throughout this guide, dimensions may vary by ±2mm (1/16"). Please read the Installation Guide for detailed information on installing the product. For full installation instructions visit [fisherpaykel.com](http://fisherpaykel.com)



**Model nos:**  
DW60UZH4B2, DW60UNT4B2, DW60UNT4X2

Product Dimensions	mm
Ⓐ Overall height of product*	857 - 917
Ⓑ Overall width of product**	598
Ⓒ Overall depth of product (excl. handle)	580
Ⓓ Height of chassis	857
Ⓔ Depth of chassis (excl. inner door)	521
Ⓕ Height of feet*	0 - 60
Ⓖ Depth of toe kick recess	45 - 120
Ⓜ Depth of inner door	28
Ⓜ Height from bottom of door to floor*	96 - 156
Ⓜ Depth of open door	Min 673
Ⓧ Width of custom door panel	595
Ⓦ Height of door panel	714
Ⓨ Thickness door panel	20

\*Depending on adjustment of levelling feet  
\*\*Excluding side seals

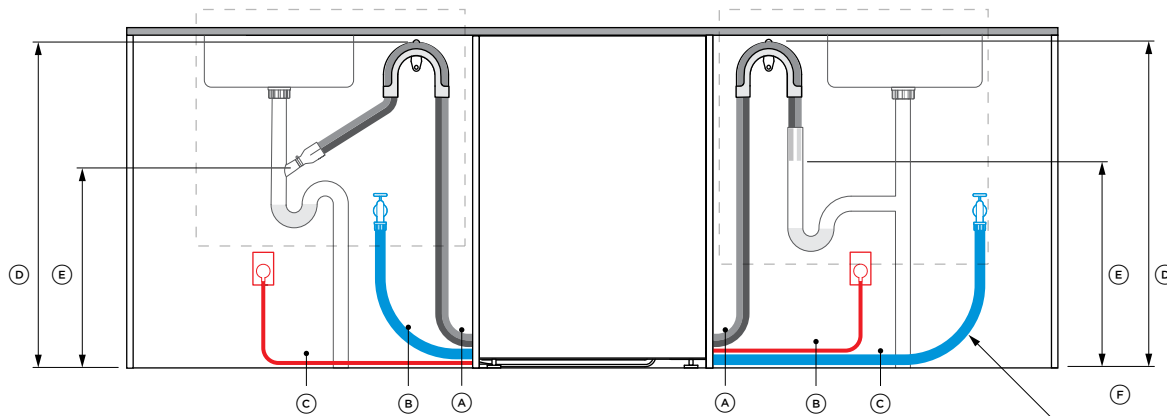
Minimum Clearances	mm
Inside height of cavity*	857 - 917
Minimum inside width of cavity	600
Minimum overall depth of cavity	580
Minimum clearance to corner cupboard	13
Height of toe kick area*	96 - 156
Minimum clearance to adjacent cupboard door	2

\*Depending on adjustment of levelling feet

PRODUCT DATUM -----  
INDICATES CABINETRY CLEARANCES -----

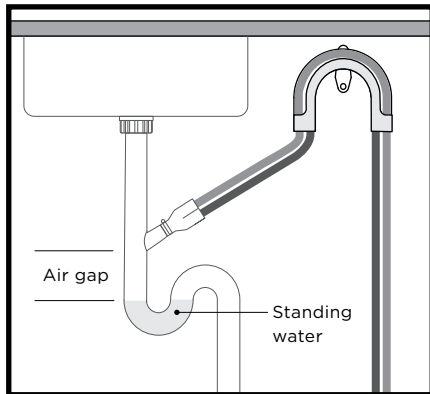
**IMPORTANT NOTE:** Throughout this guide, dimensions may vary by ±2mm (1/16"). Please read the Installation Guide for detailed information on installing the product. For full installation instructions visit [fisherpaykel.com](http://fisherpaykel.com)

## SERVICES

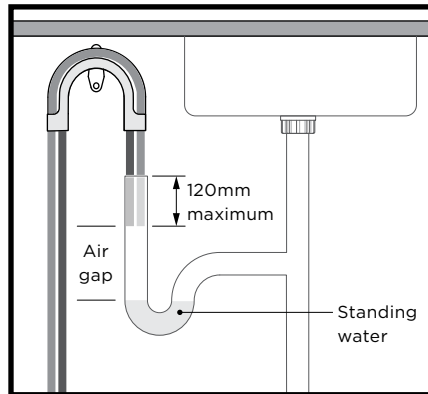


**FRONT VIEW**  
SPIGOT INSTALLATION

**FRONT VIEW**  
STANDPIPE INSTALLATION



**DETAIL VIEW**  
SPIGOT INSTALLATION



**DETAIL VIEW**  
STANDPIPE INSTALLATION

**SERVICE REQUIREMENTS**

Services can be routed to the left or right.

All connections, electrical and plumbing, **MUST** be made in adjacent cabinets.

Ensure electrical connections comply with all local standards.

**SERVICE DIMENSIONS**

	LEFT SIDE	RIGHT SIDE
<b>A</b> Length of drain hose	1980	1650
<b>B</b> Length of power cord*	950	1450
<b>C</b> Length of inlet hose	1450	1300
<b>D</b> Distance from floor to top of hose support	750 - 883	750 - 883
<b>E</b> Distance from floor to end of drain hoses**	min 500	min 500
<b>F</b> Inlet hose radius	min 200	min 200

\* Excluding plug

\*\* Standpipe and spigot installation

The models shown in this Planning Guide may not be available in all markets and are subject to change at any time. Product specifications may vary from those shown. This Planning Guide should not be used as installation guidance for any product. Further information is required to safely and correctly install the products featured here. Specific installation guidance will be available with the product on delivery and on our website [fisherpaykel.com](http://fisherpaykel.com)

