

FISHER & PAYKEL

BUILT-UNDER DISHWASHER

CONTEMPORARY

DW60U4EI3 model

INSTALLATION GUIDE

NZ AU

⚠ WARNING!



Electric Shock Hazard

Failure to follow this advice may result in electrical shock or death.

- This appliance must be earthed. This appliance has a cord with an equipment-earthing conductor and an earthing plug. The plug must be plugged into an appropriate outlet that is installed and earthed in accordance with all local regulations.
- **WARNING** – Improper connection of the equipment-earthing conductor can result in a risk of electric shock. Check with a qualified electrician or service technician if you are unsure if the appliance is properly earthed.
- Do not modify the power supply plug provided with the appliance. If a different outlet is required have it installed by a qualified electrician. Do not use an extension cord, adapter plug or multi-box.

⚠ WARNING!



This appliance contains flammable refrigerant isobutane (R290).

⚠ WARNING!



The service guide and installation guide must be read together.

⚠ WARNING!



Cut Hazard

Failure to use caution could result in injury.

- Take care – panel edges are sharp.

⚠ WARNING!



Weight Hazard

Failure to follow this advice may result in damage or personal injury.

- Do not attempt to lift this product unassisted.

SAFETY AND WARNINGS

WARNING!

To reduce the risk of fire, injury to persons or damage when using the appliance, follow the important safety instructions listed below. Read all the guidance before using the appliance.

Servicing

- Do not repair or replace any part of the appliance unless specifically recommended in this guide. All other servicing should be undertaken by a Fisher & Paykel trained and supported service technician or qualified person.

Installation

- Ensure all water connections are turned OFF. It is the responsibility of the plumber and electrician to ensure that each installation complies with all Codes and Regulations.
- The dishwasher MUST be installed to allow for future removal of the toe kick and from the enclosure if service is required.
- The switched power outlet must be outside the dishwasher cavity, so that it is accessible after installation.
- This dishwasher is manufactured for indoor use only.
- Care should be taken when the appliance is installed or removed to reduce the likelihood of damage to the power supply cord and hoses.
- If the dishwasher is to be relocated from one installation to another it must be kept upright to avoid damage from water spillage.
- Make sure only new hoses are used for connection (supplied with the dishwasher). Old hoses should not be reused.
- Failure to install the dishwasher correctly could invalidate any warranty or liability claims.
- Ensure the dishwasher is placed between cabinetry. Failure to do so may result in an unstable product, which may cause damage or injury.
- Do not operate this appliance if it is damaged, malfunctioning, partially disassembled or has missing or broken parts, including a damaged power supply cord or plug.
- Do not store or use petrol, or other flammable vapours and liquids in the vicinity of the dishwasher.
- Connect to a properly rated, protected and sized power supply circuit to avoid electrical overload.
- Make sure that the power supply cord is located so that it will not be stepped on, tripped over or otherwise subject to damage or stress.
- Do not install or store the dishwasher where it will be exposed to temperatures below freezing or exposed to weather.
- Do not use an extension cord or a portable electrical outlet device (e.g. multi-socket outlet box) to connect the dishwasher to the power supply.
- This appliance must be earthed. In the event of a malfunction or breakdown, earthing will reduce the risk of electric shock by providing a path of least resistance for electric current.
- This appliance is equipped with a cord having an equipment-earthing conductor and an earthing plug. The plug must be plugged into an appropriate outlet that is installed and earthed in accordance with all local codes and ordinances.
- Ensure the product is not plugged in when fitting custom panels.
- Installation of custom panels requires basic mechanical and electrical skills.
- Installation must comply with your local building and electricity regulations.
- Failure to install the custom panels correctly could invalidate any warranty or liability claims.
- Be sure to leave these Instructions with the Customer.

- At the completion of the dishwasher installation, the Installer must perform the Final Checklist.
- If the product is installed in a motor vehicle, boat or similar mobile facility, you must bring the vehicle, boat or mobile facility containing the product to the service shop at your expense or pay the service technician's travel to the location of the product.
- Take care during installation to ensure that the product is not exposed to excessive vibration or pulsation. This may cause damage to internal piping.
- Product must be protected as far as possible against adverse environmental effects, for example the danger of water collecting and freezing or the accumulation of dirt and debris;
- Electrical components must only be replaced with official Fisher & Paykel replacement parts. Replacement with other parts may result in the ignition of refrigerant in the event of a leak.
- The appliance must be connected to water mains with detachable hose-set supplied with the product. Old hose-sets should not be reused.

Flammable refrigerants

- The appliance shall be stored in a room without continuously operating ignition sources (for example: open flames, an operating gas appliance or an operating electric heater).
- Do not pierce or burn the appliance or its components.
- Be aware that refrigerants might not contain an odour.
- No field-installed refrigerant pipes are allowed.
- To prevent refrigerant leakage, store appliance carefully and avoid mechanical damage during transport and handling.
- Installation must be carried out by an approved provider with a relevant qualification certificate, as per national laws and regulations. Every working procedure that affects safety shall only be carried out by competent persons. Examples for such working procedures are:
 - breaking into the heat pump circuit;
 - opening of sealed components;
 - opening of ventilated enclosures.
- Check that cabling will not be subject to wear, corrosion, excessive pressure, vibration, sharp edges or any other adverse environmental effects. Remember to take into account the effects of aging or continual vibration from sources such as compressors or fans.
- Under no circumstances shall potential sources of ignition be used in the searching for or detection of refrigerant leaks. A halide torch (or any other detector using a naked flame) shall not be used.

Leak detection

The following leak detection methods are deemed acceptable for all refrigerant systems.

- Electronic leak detectors may be used, but for flammable refrigerants, sensitivity may be inadequate or require re-calibration. (Calibrate detection equipment in a refrigerant-free area.)
- Ensure the detector is non-igniting and suitable for the refrigerant used.
- Leak detection equipment shall be set at a percentage of the LFL of the refrigerant and shall be calibrated to the refrigerant employed, and the appropriate percentage of gas (25% maximum) is confirmed.
- Leak detection fluids are also suitable for use with most refrigerants but the use of detergents containing chlorine shall be avoided as the chlorine can react with the refrigerant and corrode the copper pipe-work. Examples of leak detection methods are:
 - bubble method,
 - fluorescent agent method.

SAFETY AND WARNINGS

- If a leak is suspected, all naked flames shall be removed/extinguished.
- If a refrigerant leak requiring brazing is found, recover all refrigerant or isolate it in a remote section using shut-off valves. Follow the safety procedures in the Repair Manual and Decommissioning section.

COMPONENTS REQUIRED

PARTS

- Keep all packing materials until the unit has been inspected.
- Inspect the product to ensure there is no shipping damage. If any damage is detected contact the dealer or retailer you bought the product from to report the damage.
- Fisher & Paykel is not responsible for shipping damage.

Supplied and required

- 4x Spacers
- 1x Waterproof adhesive tape
- 4x 4x25 Phillips head screws
- 9x 4x13 Phillips head screws
- 6x 3.9x38 Phillips head screws
- 2x Kickstrip brackets
- 1x Door panel sliding door adjustment bracket
- 1x Door panel template
- 1x Drain hose support
- 1x Drain hose joiner
- Foam insulation sheets

Supplied

- 4x Spacer sets

Not supplied

- Hose clamp

TOOLS

Supplied

- 1x Foot adjusting tool
- 4mm / 6mm Allen Key
- 4mm / Phillips Allen Key

Not supplied

- Box cutter
- Phillips screwdriver
- Flat blade screw driver
- Drill
- 1x 13mm Drill bit
- 1x 2.5mm Drill bit
- Level
- Pliers
- Pencil

SAVE THESE INSTRUCTIONS

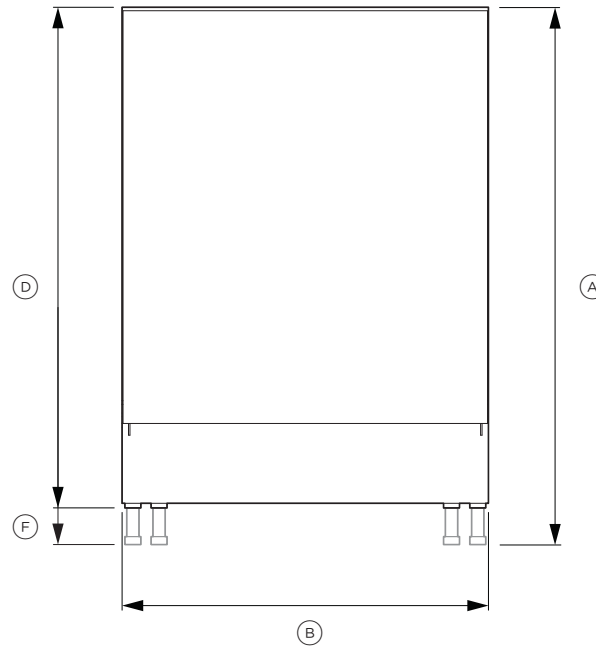
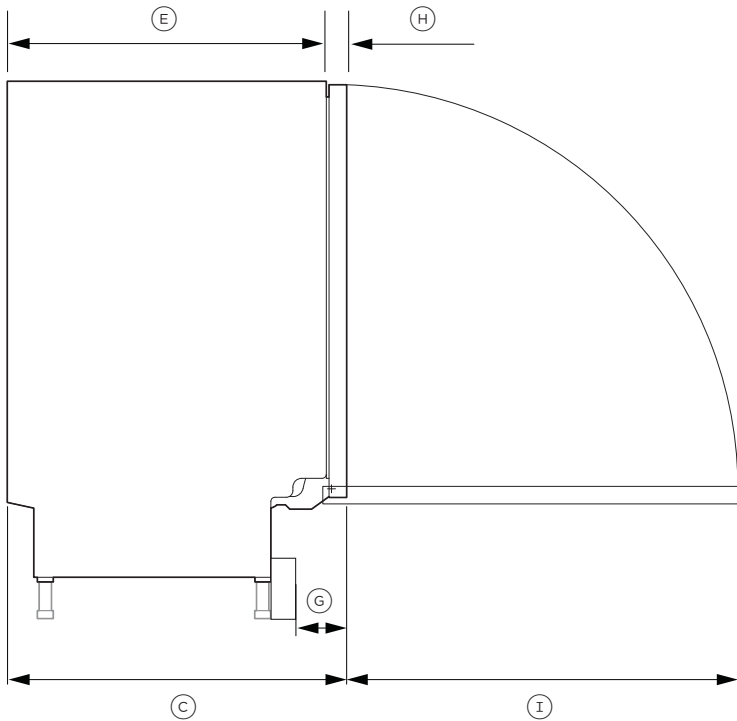
The models shown in this installation guide may not be available in all markets and are subject to change at any time. For current details about model and specification availability in your country, please go to our website www.fisherpaykel.com or contact your local Fisher & Paykel dealer.

PRODUCT DIMENSIONS



For full product, cabinetry and service specifications, refer to the Planning Guide. To access the Planning Guide, scan the QR code or visit fisherpaykel.com/specify. Search by appliance type, product name or model code.

For installation support please contact the Fisher & Paykel design support team at design.support@fisherpaykel.com



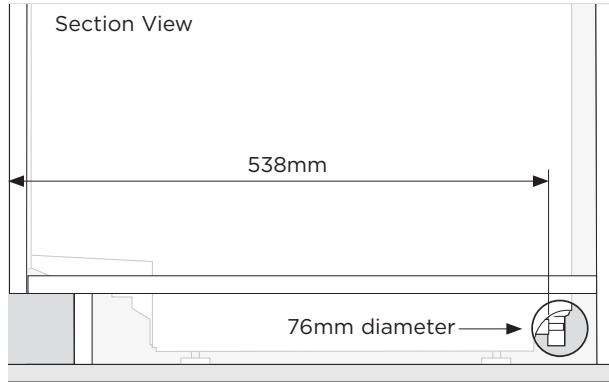
PRODUCT DIMENSIONS		MM
(A)	Overall height*	820-880
(B)	Overall width	598
(C)	Overall depth	560
(D)	Height of chassis	820
(E)	Depth of chassis	520
(F)	Height of feet*	0-60
(G)	Depth of toe kick recess**	80
(H)	Depth of door panel	25
(I)	Depth of door opening	638

*Depending on adjustment of levelling feet.

**Excluding toe kick foam.

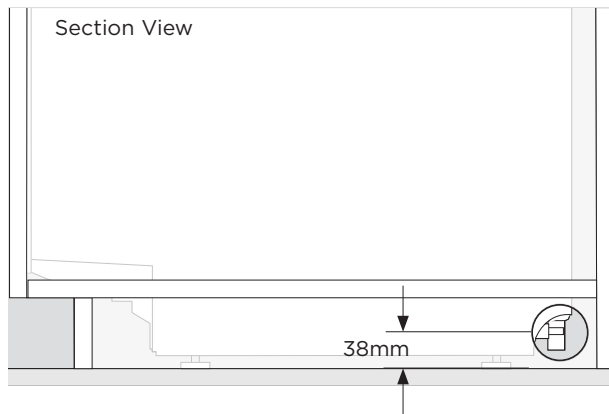
PRIOR TO INSTALLATION - SERVICES

Refer to the Planning Guide at fisherpaykel.com for service options.

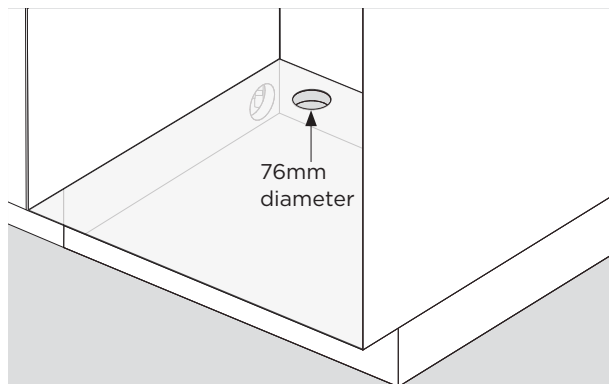


1. A minimum 76mm diameter service hole is required in the cabinet side.

The centre of the hole should be a minimum of 538mm from the front of the cabinet.



2. The centre of the hole should be a maximum of 38mm from the floor or the bottom of dishwasher feet.

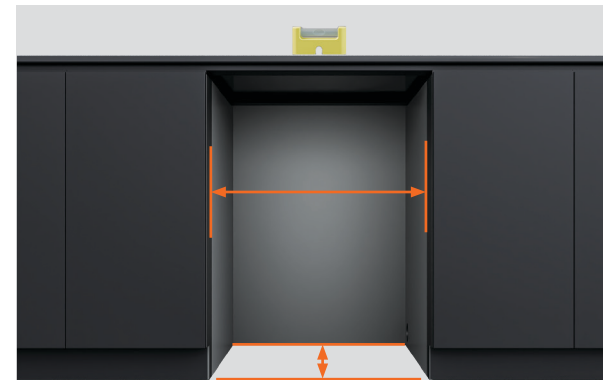


3. A 76mm diameter service hole is required in the adjacent cabinet shelf.

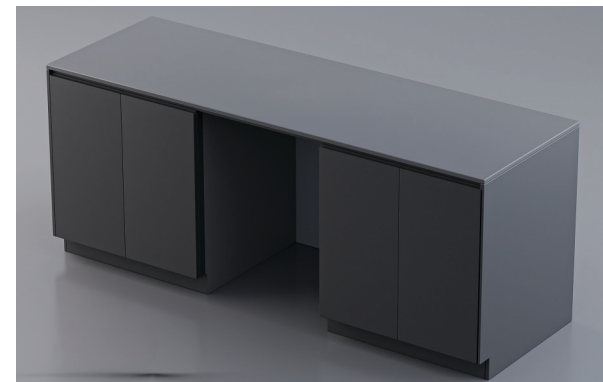
CABINETY PREPARATION



1. Refer to the Planning Guide for cabinetry, cavity, panel and service specifications.



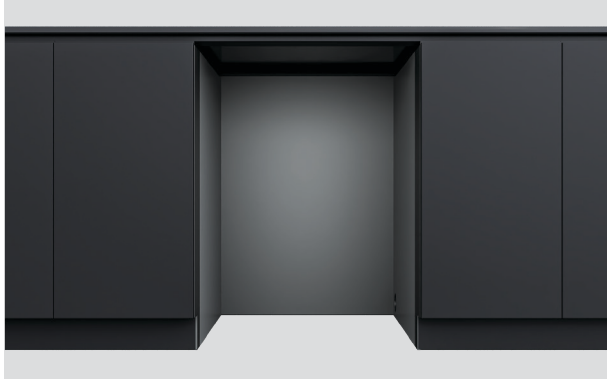
2. Ensure the cabinet is level, and the sides are square. Ensure the cabinetry meets the minimum cavity specifications required.



3. It is recommended that cabinetry substrates, including the floor are moisture resistant, painted or sealed.

Ensure that all substrates including the floor are free from bumps and obstructions that could prevent the Dishwasher from sliding into the cavity.

CABINETRY PREPARATION



4. Ensure back wall of cabinetry is clean, in good order and sealed for moisture protection.

Ensure no electrical wiring or sockets are passing through the cavity.

WARNING!
Dishwasher is unable to be installed if electrical wiring or sockets are passing through the cavity.

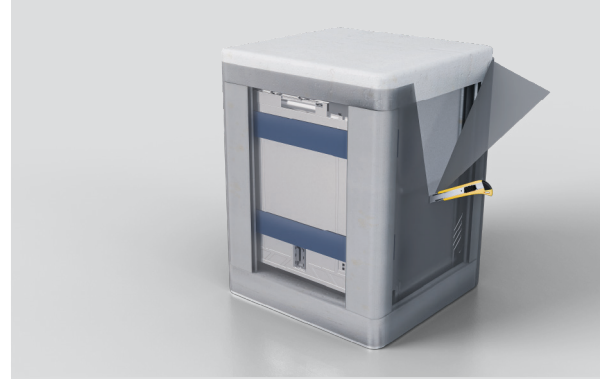


5. Cables and hoses can be routed from the dishwasher cavity, into the toe kick space. Then through to the adjacent cavity.

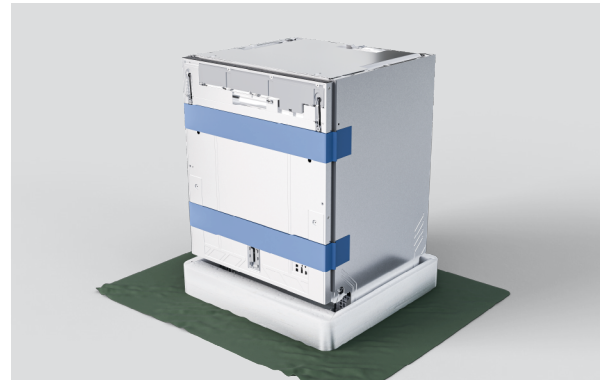


6. The power plug should be accessible after installation for maintenance.

UNPACK PRODUCTS



1. Remove the packaging and plastic wrap.

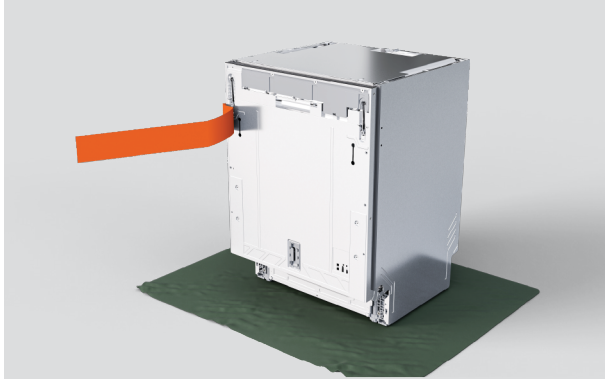


2. Protect flooring before removing the packing base.



3. To detach the base, use a trolley to lift the dishwasher from the rear, then pull the base off.

UNPACK PRODUCTS



4. Remove exterior tape, accessories, and installation packages from inside the dishwasher.

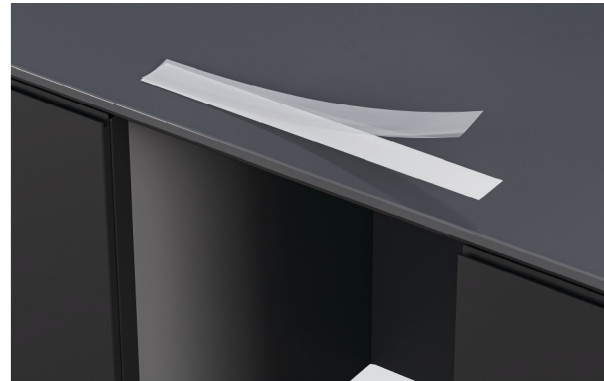


5. Dispose of packaging responsibly.

APPLY SEALING TAPE



1. Ensure underside of countertop is clean and free of dust.



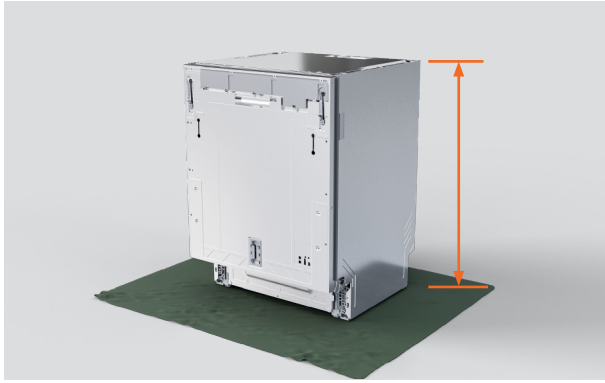
2. Remove backing from water proof adhesive tape.



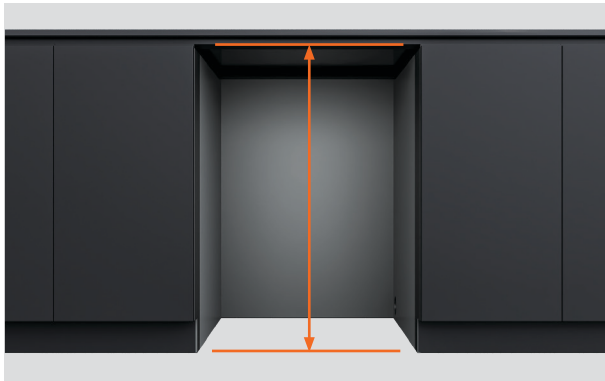
3. Apply tape to top edge of cabinet ensuring it is centred and set back 10mm from the front edge.

ADJUST DISHWASHER HEIGHT

Take care not to bend the feet when tilting the dishwasher. Further adjustments will be made once the dishwasher is inside the cavity.



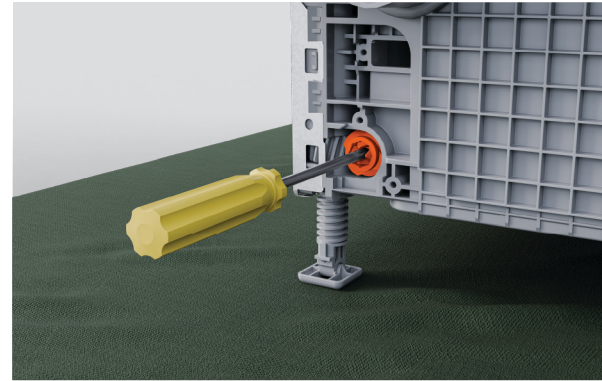
1. Measure the height of the dishwasher from the feet to the top of the chassis.



2. Measure the distance from the floor to the underside of the countertop or cavity frame.



3. Adjust the dishwasher height to 3-5mm below the cavity height.



4. Remove tape from the dishwasher feet.
Raise the rear feet of the product by turning the feet screws with a 6mm Allen key.
Left-side foot screw counter-clockwise.
Right-side foot screw clockwise.



5. Raise the front feet by twisting the foot.
Check dishwasher is square and level.
Adjust feet if required.

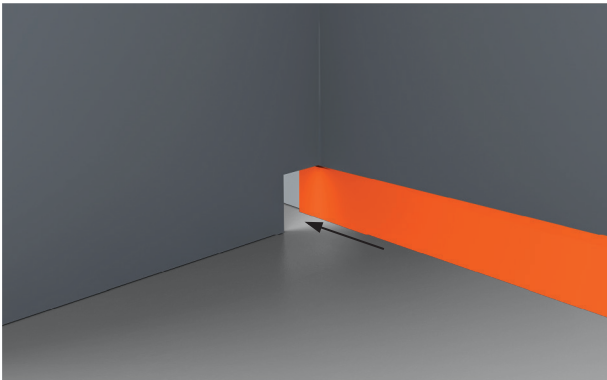
FOAM INSTALLATION

IMPORTANT! Foam must be installed; failure to do so will void the warranty.

For cabinetry that is less than 565mm deep (excluding door panel).

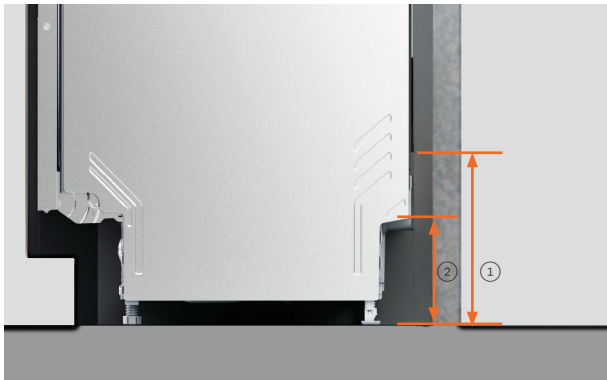


1. Ensure backside of cabinetry is clean and free of dust.

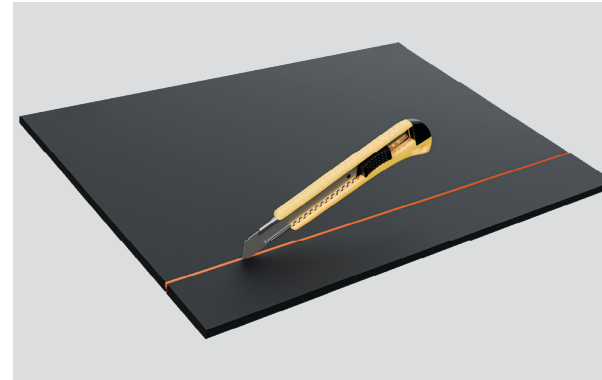


2. If possible, cut a piece of foam to line the back wall adjacent to the dishwasher.
Refer to steps 5 for sticking foam to the wall.

WARNING! Cut foam on a hard, protective surface to avoid damaging or scratching the floor.

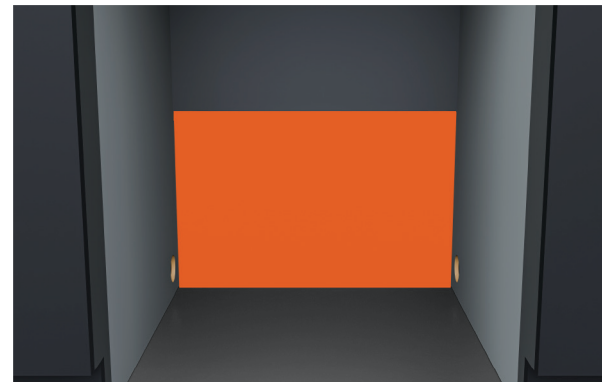


3. Measure the distance from the bottom edge of the black backing to the floor ① and subtract 5mm from the measurement. Then measure the distance from the recess to the floor ②.



4. Cut the first foam piece to Measurement ①. For the second foam piece, add 25mm to Measurement ② and cut accordingly.

WARNING! Cut foam on a hard, protective surface to avoid damaging or scratching flooring.



5. Peel back half of the backing from the first foam piece. Press the foam firmly against the floor and wall, gradually removing the remaining backing as you adhere the foam to the wall.
Ensure the foam forms a seal between the floor and the cabinetry.



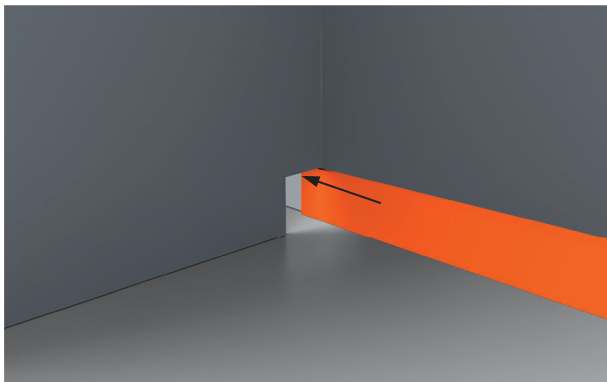
6. Peel away half of the backing from the second foam piece. Begin 30mm from the wall and stick the foam to the floor, gradually peeling off the remaining backing as you secure the foam in place and move up the wall.

FOAM INSTALLATION

For cabinetry greater than 565mm deep.



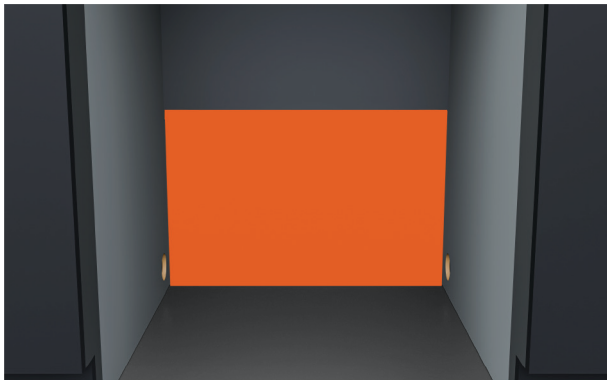
1. Ensure backside of cabinetry is clean and free of dust.



2. If possible, cut a piece of foam to line the back wall adjacent to the dishwasher.

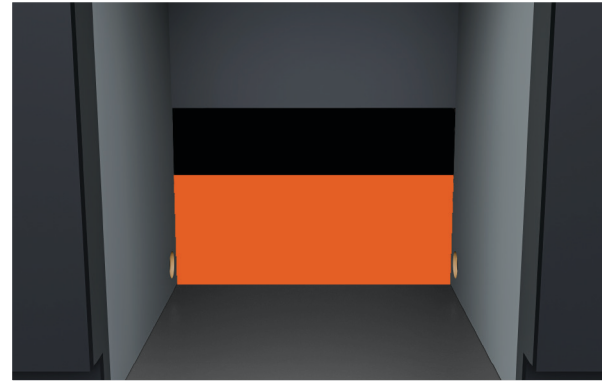
Refer to steps 3 for sticking foam to the wall.

WARNING! Cut foam on a hard, protective surface to avoid damaging or scratching the floor.



3. Peel half of the backing off at the bottom of the foam. Start at the bottom where the wall meets the floor and continue to peel the backing off as you move upwards.

Ensure the foam forms a seal between the floor and the cabinetry.

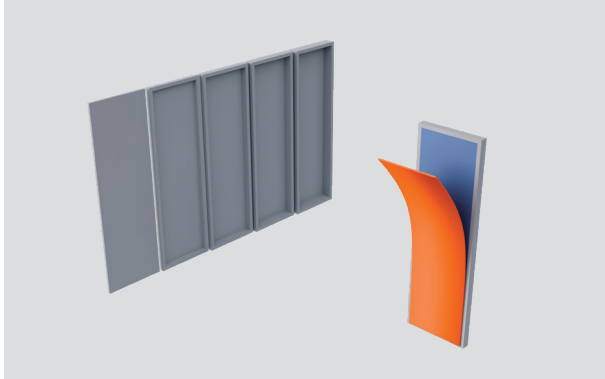


4. Cut the last piece of foam to 325mm high.



5. Peel away half of the backing from the second foam piece. Begin 30mm from the wall and stick the foam to the floor, gradually peeling off the remaining backing as you secure the foam in place and move up the wall.

ATTACH SPACERS



1. Snap off the four spacers with adhesive strip.



2. Place spacers on each side of the dishwasher just below the hole at the top side of the dishwasher.



3. If required a larger spacer segment can be added to adjust the thickness.

PLACE IN CAVITY



1. Place the hoses and cords through the service holes and into the adjacent cabinetry. Ensure that the electrical cord is pulled through first followed by the hoses.

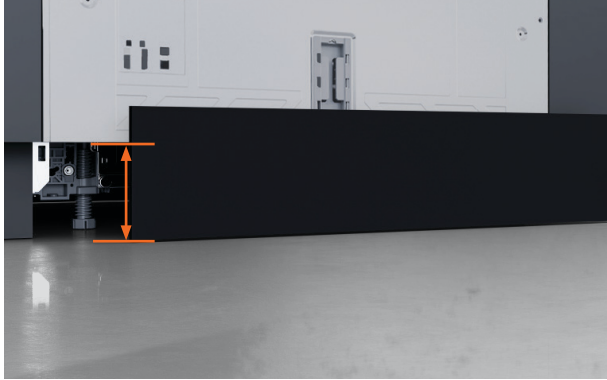


2. Carefully push the product into the cavity, feeding the hoses through the service holes as you go. Avoid crushing, twisting or kinking the hoses.

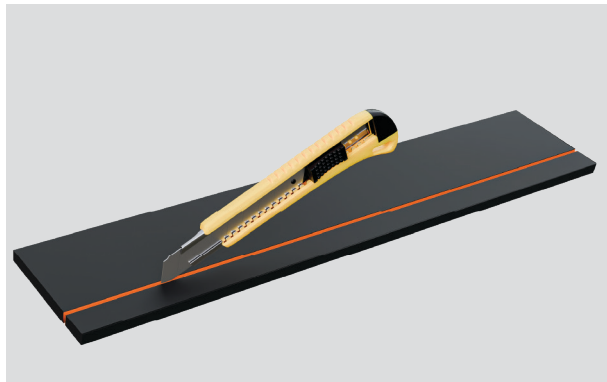


3. Check the product sits level and square within the cavity. If required, adjust feet.

TOE KICK FOAM



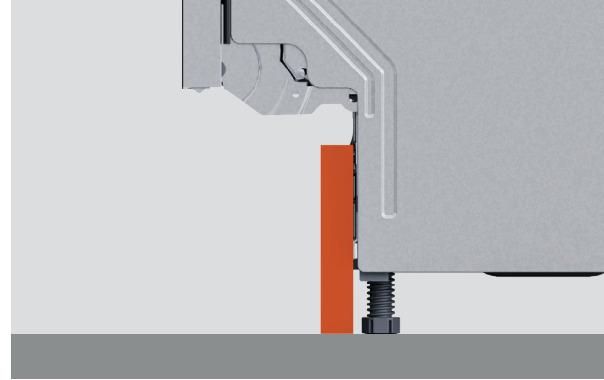
1. Turn the kick strip foam upside down and measure from the bottom of the floor to the underside of the dishwasher.



2. Cut off the excess foam and check it fits under the machine. Adjust if necessary.



3. Peel off the backing from the double-sided tape. Place the brackets through the large foam holes, use them to guide the foam into the correct position within the bracket slots under the dishwasher.

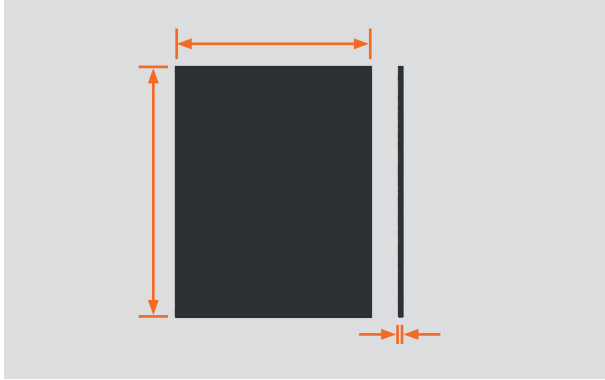


4. Firmly press the rubber side of the foam strip against the toe kick area, ensuring the foam forms a seal between the floor and the product.

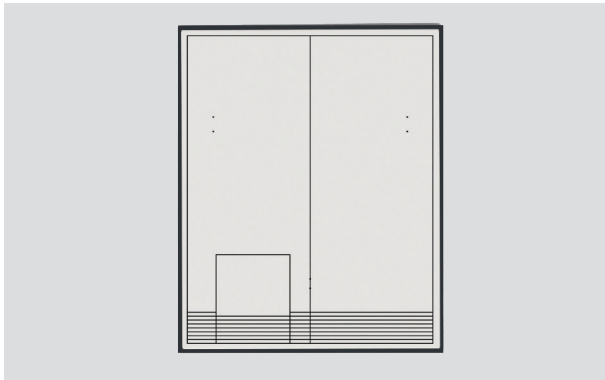


5. Remove brackets from the foam and store for later.

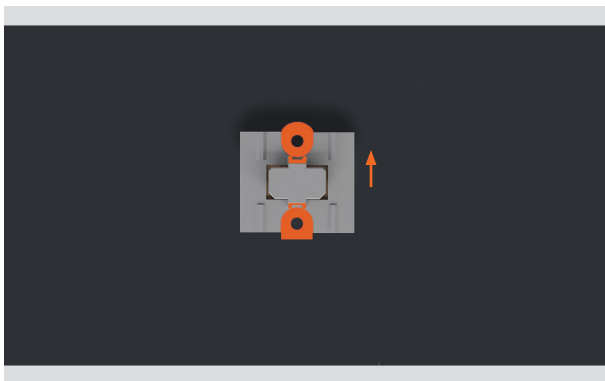
FITTING THE DOOR



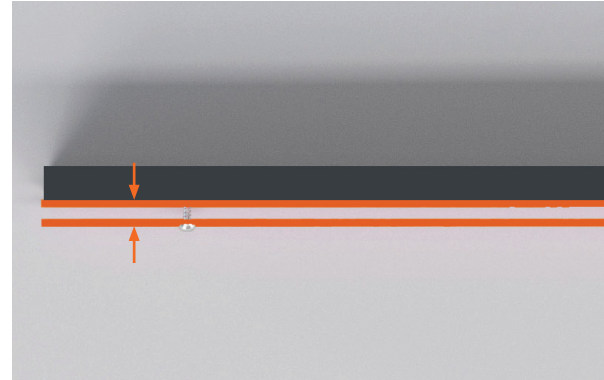
1. Ensure door panel meets all specifications.



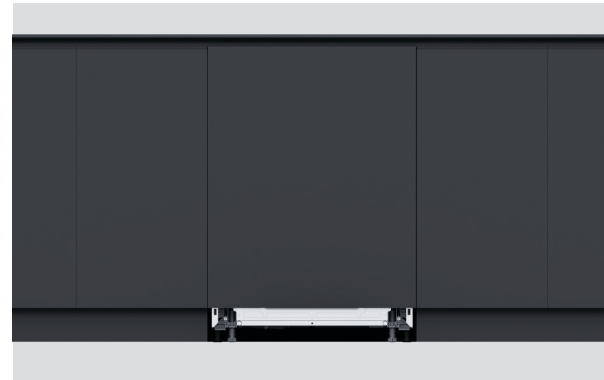
2. Using the door template as a guide, pre-drill all holes into the door panel.
Fit the sliding brackets onto the door panel.



3. Ensure the sliding bracket is oriented correctly before securing it to the panel with 2x 4x13mm screws.



4. Fit 2x 4x13mm screws into the pre-drilled holes. Ensure there is a minimum space of 3mm between the screw-head and the panel.

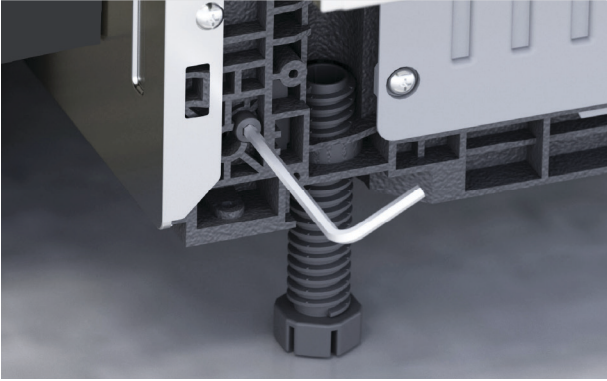


5. Slot the upper screws into place and slide until the door panel aligns with adjacent cabinetry.



6. Remove the top and bottom screws from either side of the dishwasher door, and replace with 6x 3.9x38mm screws.

FITTING THE DOOR



7. Use a 4mm Allen key to adjust the door tension. Rotate clockwise to increase tension, rotate counter-clockwise to decrease tension.

Ensure both sides are adjusted evenly.



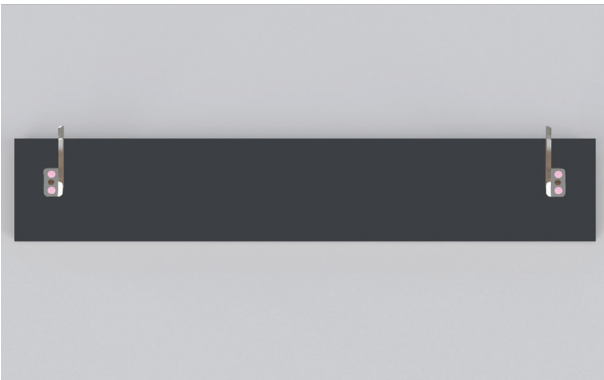
8. Open the door at a 45° angle and ensure it holds and will not interfere with the toe kick. If the door does not stay open or hits the toe kick, repeat the above step.

INSTALL CUSTOM TOE KICK

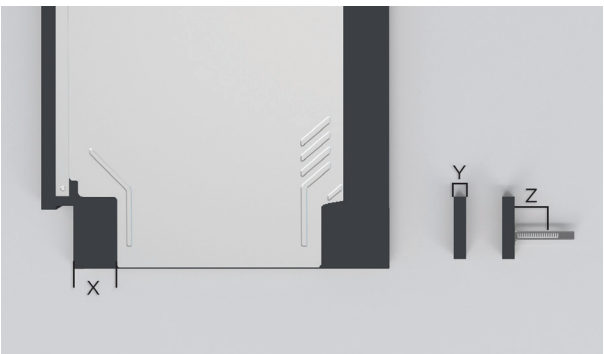


1. Mark the pilot hole locations for each bracket. Measure the centre of the panel and mark 257mm to each side.

To determine the height of the brackets, measure the height of the lowest bracket hole against the toe kick panel.



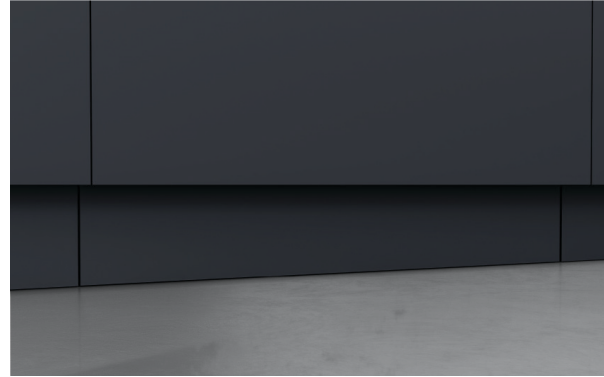
2. Ensure brackets are orientated correctly before fitting to the panel using 2x 4x13mm screws per bracket.



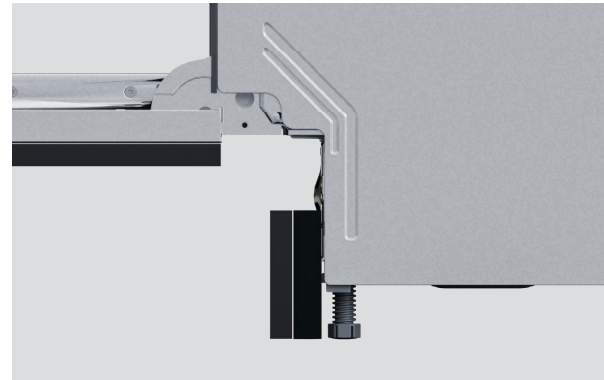
3. Measure the toe kick depth:

Use \textcircled{Z} to determine which tooth to bend back on each toe kick bracket.

$$\textcircled{X} - \textcircled{Y} = \textcircled{Z}$$



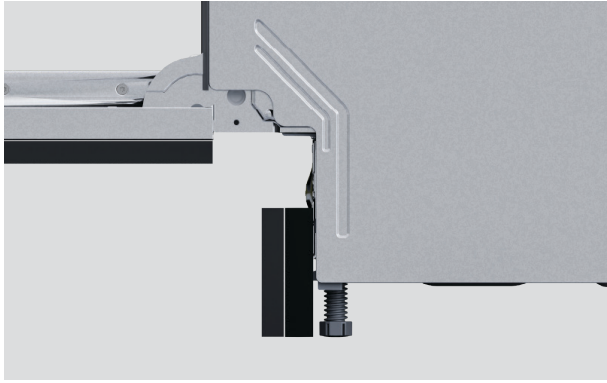
4. Align the brackets to the slots on the product and slide into place.



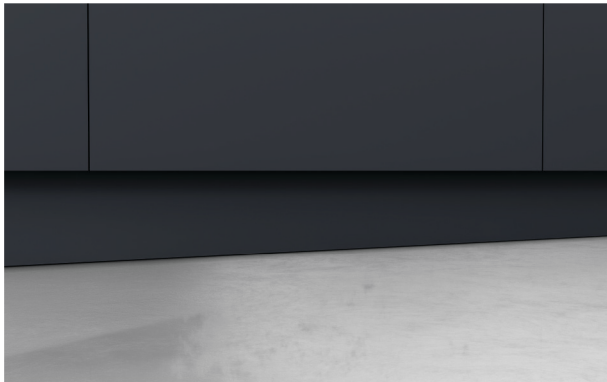
5. Ensure the foam and kick strip allow door to open fully.

INSTALL FULL LENGTH TOE KICK

IMPORTANT! The toe kick must be easily removable to allow access to the product for servicing.



1. Align toe kick to product and ensure all door swing clearances have been met.



2. Fit panel to surrounding cabinetry.

SECURE IN CAVITY



1. Remove upper dishwasher basket to allow access to screw covers on either side of the dishwasher.

Using a small flat bladed screw driver, carefully remove both screw covers.



2. Do a final door panel level check, then fasten product into adjacent cabinet using 4x 4x25mm screws. Place screw covers back on.

INSTALL DRAIN

Ensure the drain hose support is properly installed and the hose is correctly threaded through to prevent damage and drainage issues.

The dishwasher must not be drained into standing water.

If the drain hoses supplied are not long enough to reach your services, a 3.6m drain hose extension kit is available at fisherpaykel.com

Appliances connected to water mains.

Max. inlet water pressure	1MPa
Min. inlet water pressure	0.03MPa



1. Install the drain hose support using 1x 4x13mm screw as close to the countertop as possible, with a minimum distance of 750mm from the floor.

Thread the hoses through the support.



2. For connection to waste tee:

To avoid shavings entering the plumbing system, remove the waste tee before drilling.

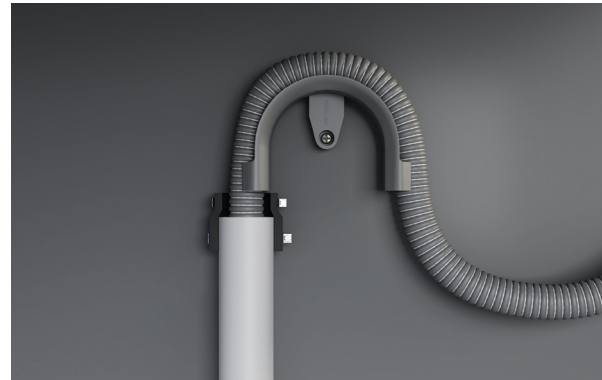
Unplug or drill out the waste tee minimum 13mm in diameter before securing joiner.



3. Thread the hose clamp (not supplied) onto the hose.

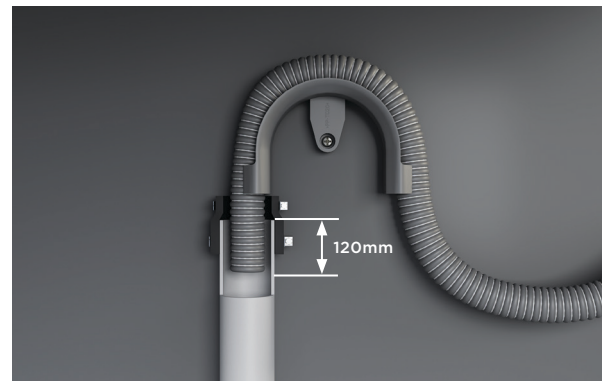
Fit the hose to the hose joiner and secure using the hose clamp.

Ensure hose is routed straight to the joiner to avoid kinks that can restrict drainage.



4. For connection to standpipe:

Pull the drain hose through the support guide and rest in standpipe.



5. Ensure the hose does not extend more than 120mm into the standpipe to prevent wastewater siphoning back into the tub.

Hose can be trimmed if necessary.

CONNECT POWER

Electrical requirements: 230V, 50Hz, minimum 10A

The power plug should be accessible after installation for maintenance.



1. Connect power.



2. Check the water connections.
Turn on the water supply and
check for leaks.

CONNECT WATER INLET

IMPORTANT! Do not turn water supply on before power has been connected. The dishwasher must be powered on for flood protection to be enabled. If power is to be disconnected, ensure water supply is turned off.

Isolation taps are required to allow the water supply to be shut off.



1. Check that the supplied rubber
washer is inserted into the
coupling.



2. Connect the inlet hose to the
tap.
Ensure the inlet hose is not kinked
and the tap is not pulled under
pressure.
Do not shorten the inlet hose.



3. Hand-tighten into place. Using
a spanner or pliers, turn a further
180° to secure. Avoid over-
tightening.

DECOMMISSIONING YOUR DISHWASHER

Decommissioning must be done by an approved, qualified provider in accordance with national regulations. Only competent persons may perform safety-related tasks such as:

- breaking into the refrigerant circuit
- opening sealed
- ventilated components.

Flammable refrigerants.

Prior to beginning work on systems containing flammable refrigerants. Safety checks are necessary to ensure that the risk of ignition is minimised.

For repair to the refrigerating system, the below points shall be completed prior to conducting work on the system.

- Work shall be undertaken under a controlled procedure so as to minimise the risk of a flammable gas or vapour being present while the work is being performed.
- No person carrying out work in relation to a refrigerating system which involves exposing any pipe work shall use any sources of ignition in such a manner that it can lead to the risk of fire or explosion.
- All possible ignition sources, including cigarette smoking, should be kept sufficiently far away from the site of installation, repairing, removing and disposal, during which refrigerant can possibly be released to the surrounding space.
- Prior to work taking place, the area around the equipment is to be surveyed to make sure that there are no flammable hazards or ignition risks. "No Smoking" signs shall be displayed.
- All maintenance staff and others working in the local area shall be instructed on the nature of work being carried out. Work in confined spaces shall be avoided.
- Before and during work, check the area with a suitable refrigerant detector to identify any toxic or flammable atmospheres. Use leak detection equipment that is non-sparking, sealed, or intrinsically safe for all applicable refrigerants.
- If any hot work is to be conducted on the refrigerating equipment or any associated parts, appropriate fire extinguishing equipment shall be available to hand. Have a dry powder or CO2 fire extinguisher adjacent to the charging area.

Refrigerant leaks.

- When breaking into the refrigerant circuit to make repairs – or for any other purpose – conventional procedures shall be used. However, for flammable refrigerants it is important that best practice is followed since flammability is a consideration. The following procedure shall be adhered to:
 - safely remove refrigerant following local and national regulations;
 - evacuate;
 - purge the circuit with inert gas;
 - evacuate;
 - continuously flush with inert gas when using flame to open circuit;
 - open the circuit.
- The refrigerant charge shall be recovered into the correct recovery cylinders.
- The manufacturer shall specify the inert gases that can be used. Compressed air or oxygen shall not be used for purging refrigerant systems. Note an example of an inert gas is dry nitrogen.
- Purge the system by breaking the vacuum with inert gas, filling to working pressure, venting, and re-evacuating. Repeat until all refrigerant is removed, then vent to atmospheric pressure before working.
- Ensure that the outlet of the vacuum pump is not close to any potential ignition sources

and that ventilation is available.

- Before carrying out this procedure, it is essential that the technician is completely familiar with the equipment and all its detail. It is recommended good practice that all refrigerants are recovered safely. Prior to the task being carried out, an oil and refrigerant sample shall be taken in case analysis is required prior to re-use of recovered refrigerant. It is essential that electrical power is available before the task is commenced.
 - Become familiar with the equipment and its operation.
 - Isolate system electrically.
 - Before attempting the procedure, ensure that:
 - mechanical handling equipment is available, if required, for handling refrigerant cylinders;
 - all personal protective equipment is available and being used correctly;
 - the recovery process is supervised at all times by a competent person;
 - recovery equipment and cylinders conform to the appropriate standards.
 - Pump down refrigerant system, if possible.
 - If a vacuum is not possible, make a manifold so that refrigerant can be removed from various parts of the system.
 - Make sure that the cylinder is situated on the scales before recovery takes place.
 - Start the recovery machine and operate in accordance with instructions.
 - Do not overfill cylinders (no more than 80 % volume liquid charge).
 - Do not exceed the maximum working pressure of the cylinder, even temporarily.
 - When the cylinders have been filled correctly and the process completed, make sure that the cylinders and the equipment are removed from site promptly and all isolation valves on the equipment are closed off.
 - Recovered refrigerant shall not be charged into another refrigerating system unless it has been cleaned and checked.
 - Label equipment as decommissioned and refrigerant-free, including date and signature. For flammable refrigerants, attach labels indicating flammable contents.
- When removing refrigerant from a system, either for servicing or decommissioning, it is required to follow good practice so that all refrigerants are removed safely.
- Use only approved, labelled recovery cylinders with working pressure-relief and shut-off valves. Ensure enough cylinders for the full system charge, and evacuate and cool them before recovery.
- Ensure recovery equipment and weighing scales are in good condition and suitable for flammable refrigerants. Consult the manufacturer if unsure. Use leak-free hoses with proper couplings.
- Process recovered refrigerant per local laws in the correct cylinder with a waste transfer note. Never mix refrigerants.
- Before removing compressors or oil, evacuate to remove flammable refrigerant. Do not use open flames, and drain oil safely.

INSTALLER CHECKLIST

TO BE COMPLETED BY THE INSTALLER

Installation

- If power is disconnected, ensure water supply is turned off to prevent flooding.
- Check all parts are installed correctly and are secure.
- Ensure all clearance gaps have been maintained.
- Ensure dishwasher is secure and drawer opens and closes freely with no resistance.
- Ensure panel is fitted correctly to the dishwasher.
- Ensure any packaging or tap securing the racks and spray arm is removed.
- Check the spray arm is in place, mounted correctly and rotate freely.

Plumbing

- Ensure any knock-outs or plugs in drain connection have been drilled out and drain connection has been made.
- The drain hose joiner must not support the weight of excess hose material. Keep drain hose as fully extended as possible to prevent sagging. Any excess length of drain hose should be kept on the dishwasher side of the drain hose support.
- Ensure inlet hose has supplied rubber washer fitted, and that it is tightened.
- If connecting the drain hose to the sink trap, ensure the high loop is a minimum 150mm higher than the drain hose joiner or as close as possible to the underside of the benchtop.
- Water softener models: adjust the water softener setting from the default setting to suit the water hardness of the area. Refer to your user guide.
- Ensure water supply is turned off until power is connected and turned on. The Dishwasher must be powered on for the flood protection feature to be enabled.

Electrical

- Ensure all electrical tests have been conducted in accordance with local regulations.

Test operation

- Turn on the power and water supplies, then open the door. You should hear a beep and see a program indicator light up on the control panel.
- Add three cups of water into the dishwasher.
- Navigate to RINSE and start the program.
- After the rinse cycle has finished, ensure the dishwasher has run and drained correctly.
- Check drainage connections for leaks.
- If site is left without power after installation is complete, ensure water supply is turned off to prevent flooding.**

FISHERPAYKEL.COM

© Fisher & Paykel Appliances 2026. All rights reserved.

The models shown in this guide may not be available in all markets
and are subject to change at any time.

The product specifications in this guide apply to the specific products and
models described at the date of issue. Under our policy of continuous product
improvement, these specifications may change at any time.

For current details about model and specification availability in your country,
please go to our website or contact your local Fisher & Paykel dealer.

433448C 02.26