

24" CONTEMPORARY OVENS AND COMPANIONS

PLANNING GUIDE

SERIES 9 SELF-CLEANING OVEN | OB24SACPUDX5

SERIES 9 COMPACT COMBI-STEAM OVEN | OS24NACVUDX5

SERIES 9 COMPACT CONVECTION-SPEED OVEN | OM24NCUDX5

SERIES 9 WARMING DRAWER | WB24SCX3

CONTENTS | 24" OVENS AND COMPANIONS

INTRODUCTION

This comprehensive planning guide provides you with the framework and tools to achieve your desired design outcome with Fisher & Paykel appliances. In this guide, you will find a range of conceptual, detailed, and dimensional product information to bring your ideas to life and create spaces that truly reflect your vision.

SUPPORT

For additional design planning and installation support please contact the Fisher & Paykel design support team.

designsupport@fisherpaykel.com

NOTES

The models shown in this Planning Guide may not be available in all markets and are subject to change at any time. Refer to our website fisherpaykel.com for the latest document version. Product specifications may vary from those shown.

This Planning Guide should not be used as installation guidance for any product. Specific installation guidance will be available with the product on delivery and on our website.

CONCEPT DESIGN	PAGE	DEVELOPED AND DETAILED DESIGN	PAGE	DEVELOPED AND DETAILED DESIGN	PAGE
DESIGN CHOICE		DATA SHEETS		PLANNING CONSIDERATIONS	
Styles	4	Self-Cleaning Oven	16	Cabinetry Preparation	21
Contemporary Style	5	Compact Combi-Steam Oven	17	Ventilation	22
Installation Options	6	Compact Convection-Speed Oven	18	Stack Height	23
Overview	7	Warming Drawer	19	SERVICES	
SPECIFICATION GUIDE				Power Connection and Electrical	25
Self-Cleaning Oven	9				
Compact Combi-Steam Oven	10				
Compact Convection-Speed Oven	11				
Warming Drawer	12				
Dimensions	13				
Services	14				

DESIGN CHOICE



MINIMAL STYLE - HANDLELESS

MINIMAL STYLE

CONTEMPORARY STYLE

Celebrating a singular aesthetic to blend seamlessly into the kitchen, Minimal style ovens feature subtle textural and tonal contrasts for a sense of refinement and purity.

Defined by clean lines and timeless design cues, Contemporary style ovens bring a sense of balance and refinement. A versatile aesthetic that complements a range of kitchen styles.

This Planning Guide is for the Contemporary Style featuring 24" Ovens and Companions. For information on other styles, please visit the Fisher and Paykel website. To see what models are available, head to the 'Overview' section in this Planning Guide.

The models shown in this Planning Guide may not be available in all markets and are subject to change at any time. Product specifications may vary from those shown. This Planning Guide should not be used as installation guidance for any product. Further information is required to safely and correctly install the products featured here. Specific installation guidance will be available with the product on delivery and on our website fisherpaykel.com

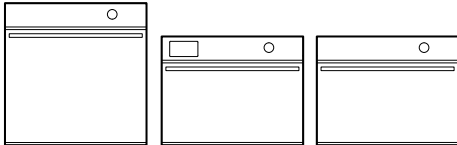
FINISH



Brushed
Silver Glass

OVENS

SELF-CLEANING COMBI-STEAM CONVECTION-SPEED

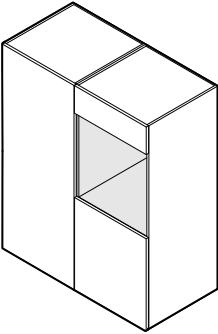


COMPANIONS

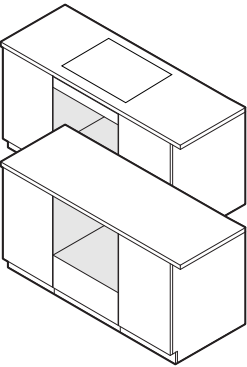
WARMING DRAWER



INSTALLATION OPTIONS



Installation in wall



Installation under-bench

The models shown in this Planning Guide may not be available in all markets and are subject to change at any time. Product specifications may vary from those shown. This Planning Guide should not be used as installation guidance for any product. Further information is required to safely and correctly install the products featured here. Specific installation guidance will be available with the product on delivery and on our website fisherpaykel.com

CONSIDERATIONS

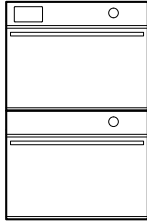
Different configurations possible, consider heights for grid and row installations.

STACK HEIGHT

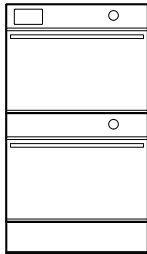
Stack Height is overall product height with minimum clearance above appliance front panel to upper cabinetry front panel or appliance.

STACKED INSTALLATION

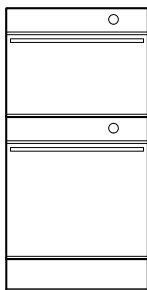
Stack Height
36 7/32" (920mm)



Stack Height
41 3/4" (1060mm)

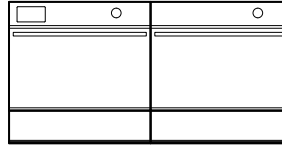


Stack Height
47 1/4" (1200mm)

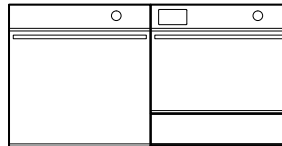


GRID INSTALLATION

Stack Height
23 5/8" (600mm)

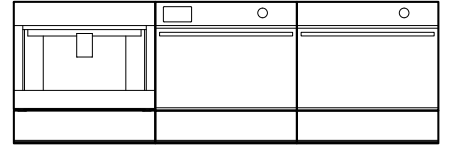


Stack Height
23 5/8" (600mm)

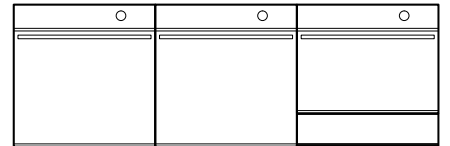


ROW INSTALLATION

Stack Height
23 5/8" (600mm)

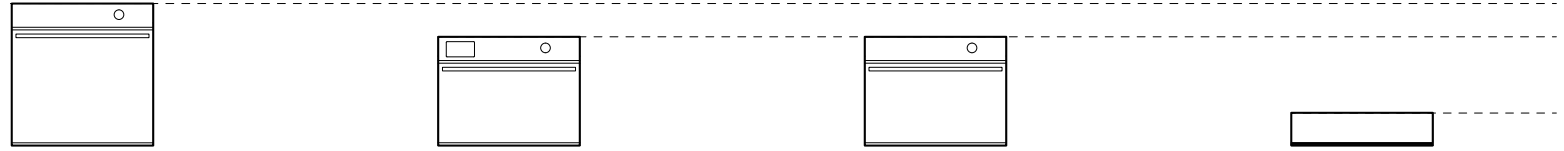


Stack Height
23 5/8" (600mm)

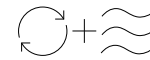
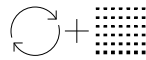


The models shown in this Planning Guide may not be available in all markets and are subject to change at any time. Product specifications may vary from those shown. This Planning Guide should not be used as installation guidance for any product. Further information is required to safely and correctly install the products featured here. Specific installation guidance will be available with the product on delivery and on our website fisherpaykel.com

FRONT ELEVATION



SIDE ELEVATION



Series	
Brushed Silver Glass Models	
Interface	
Overall Height	
Overall Width	
Control Panel/Front Panel Thickness	

	SELF-CLEANING OVEN
Series	Series 9
Brushed Silver Glass Models	OB24SACPUDX5
Interface	6.8" Touchscreen
Overall Height	23 9/16" (598mm)
Overall Width	23 7/16" (596mm)
Control Panel/Front Panel Thickness	13/16" (20mm)

	COMPACT COMBI-STEAM OVEN
Series	Series 9
Brushed Silver Glass Models	OS24NACVUDX5
Interface	6.8" Touchscreen
Overall Height	18" (458mm)
Overall Width	23 7/16" (596mm)
Control Panel/Front Panel Thickness	13/16" (20mm)

	COMPACT CONVECTION-SPEED OVEN
Series	Series 9
Brushed Silver Glass Models	OM24NCUDX5
Interface	6.8" Touchscreen
Overall Height	18" (458mm)
Overall Width	23 7/16" (596mm)
Control Panel/Front Panel Thickness	13/16" (20mm)

	WARMING DRAWER
Series	Series 9
Brushed Silver Glass Models	WB24SCX3
Interface	-
Overall Height	5 1/2" (140mm)
Overall Width	23 7/16" (596mm)
Control Panel/Front Panel Thickness	13/16" (20mm)

The models shown in this Planning Guide may not be available in all markets and are subject to change at any time. Product specifications may vary from those shown. This Planning Guide should not be used as installation guidance for any product. Further information is required to safely and correctly install the products featured here. Specific installation guidance will be available with the product on delivery and on our website fisherpaykel.com

SPECIFICATION GUIDE

SERIES 9

**OVERVIEW**

Designed to be distinctive and timeless, this Contemporary oven matches with our Contemporary style family of appliances. The pyrolytic self-cleaning function breaks down food residue for an easy clean, while precise cooking methods with temperature and heat type recommendations for a wide range of food types are easily accessed via the large touch screen and SmartHQ™.

PRODUCTS

OB24SACPUDX5
24" Series 9 Contemporary Self-Cleaning Oven

SERIES & STYLE

Series 9
Contemporary

**FEATURES**

- 1** Contemporary style is distinctive and timeless. Designed to match with our Contemporary style family of appliances
- 2** Self-cleaning pyrolytic function breaks down food residue for an easy clean
- 3** Premium soft open and close door
- 4** Generous 2.5 cu ft useable capacity
- 5** Large 6.8" touchscreen is intuitive and easy to use
- 6** Create perfect results with precise cooking methods, with temperature and heat type recommendations for your food type
- 7** Moisture control and even heat distribution thanks to ActiveVent™ and AeroTech™ technology
- 8** Includes a wired temperature sensor for real-time monitoring of cooking temperatures
- 9** Connected capability via the SmartHQ™ app gives control & visibility from anywhere at anytime

ACCESSORIES

- 1** Self-cleaning Proof Side Ladders
- 2** Full Extension Sliding Shelf (x2)
- 3** Multi-functional Air Fry Tray
- 4** Roasting Dish
- 5** Wired Temperature Sensor

The models shown in this Planning Guide may not be available in all markets and are subject to change at any time. Product specifications may vary from those shown. This Planning Guide should not be used as installation guidance for any product. Further information is required to safely and correctly install the products featured here. Specific installation guidance will be available with the product on delivery and on our website fisherpaykel.com



OVERVIEW

Designed to be distinctive and timeless, this Combi-Steam oven matches with our Contemporary style family of appliances. With versatile cooking options including steam or convection, plus a Steam Clean function for easy maintenance. Precise cooking methods with temperature and heat type recommendations for a wide range of food types are easily accessed via the large touch screen and SmartHQ™.

PRODUCTS

OS24NACVUDX5
24" Series 9 Contemporary Compact Combi-Steam Oven

SERIES & STYLE

Series 9
Contemporary

ACCESSORIES

- 1 Chrome Side Ladders
- 2 Full Extension Sliding Shelf
- 3 Wire Shelf
- 4 Multi-functional Air Fry Tray
- 5 Roasting Dish

FEATURES

- 1 Contemporary style is distinctive and timeless. Designed to match with our Contemporary style family of appliances
- 2 Versatile cooking options with steam or convection heat for optimal results
- 3 Premium soft open and close door
- 4 Compact 1.6 cu ft useable capacity
- 5 Large 6.8" touchscreen is intuitive and easy to use
- 6 Create perfect results with precise cooking methods, with temperature and heat type recommendations for your food type
- 7 Moisture control and even heat distribution thanks to ActiveVent™ and AeroTech™ technology
- 8 Steam Clean function ensures a spotless oven with minimal effort
- 9 Includes a wired temperature sensor for real-time monitoring of cooking temperatures
- 10 Connected capability via the SmartHQ™ app gives control & visibility from anywhere at anytime

ACCESSORIES

- 6 Large Perforated Steam Dish
- 7 Small Perforated Steam Dish
- 8 Large Steam Dish
- 9 Wired Temperature Sensor
- 10 Descale Solution x2 sachets (Part 580295)



The models shown in this Planning Guide may not be available in all markets and are subject to change at any time. Product specifications may vary from those shown. This Planning Guide should not be used as installation guidance for any product. Further information is required to safely and correctly install the products featured here. Specific installation guidance will be available with the product on delivery and on our website fisherpaykel.com

**OVERVIEW**

Designed to be distinctive and timeless, this Convection-Speed oven matches with our Contemporary style family of appliances. Versatile cooking options including microwave or convection offer efficient heating across a variety of dishes. Precise cooking methods with temperature and heat type recommendations for a wide range of food types are easily accessed via the large touch screen and SmarHq™.

PRODUCTS

OM24NCUDX5
24" Series 9 Contemporary Compact Convection-Speed Oven

SERIES & STYLE

Series 9
Contemporary

FEATURES

- 1** Contemporary style is distinctive and timeless. Designed to match with our Contemporary style family of appliances
- 2** Combines fast microwave cooking with even convection heat for versatile, efficient heating across a variety of dishes
- 3** Premium soft open and close door
- 4** Compact 1.3 cu ft useable capacity
- 5** Large 6.8" touchscreen is intuitive and easy to use
- 6** Create perfect results with precise cooking methods, with temperature and heat type recommendations for your food type
- 7** Versatile microwave only, convection only or combi-microwave functions to suit a range of cooking styles
- 8** Includes a wired temperature sensor for real-time monitoring of cooking temperatures
- 9** Connected capability via the SmarHq™ app gives control & visibility from anywhere at anytime

ACCESSORIES

- 1** Chrome Side Ladders
- 2** Wire Shelf
- 3** Step Down Wire Shelf
- 4** Glass Tray
- 5** Broil Rack
- 6** Wired Temperature Sensor



The models shown in this Planning Guide may not be available in all markets and are subject to change at any time. Product specifications may vary from those shown. This Planning Guide should not be used as installation guidance for any product. Further information is required to safely and correctly install the products featured here. Specific installation guidance will be available with the product on delivery and on our website fisherpaykel.com



OVERVIEW

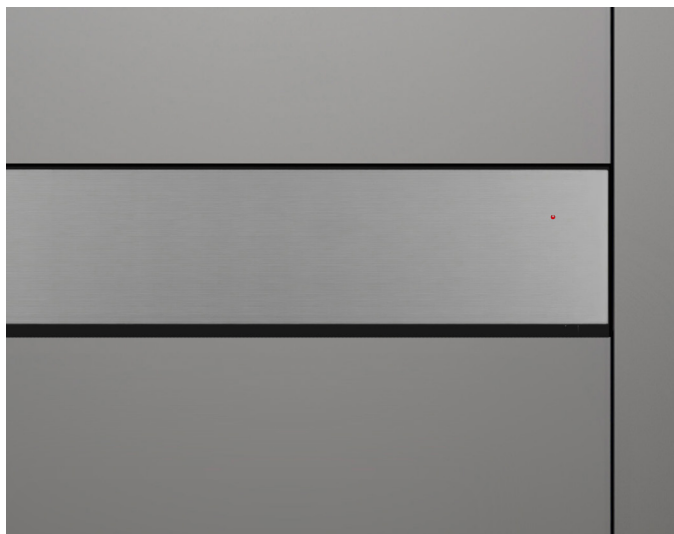
Designed to be distinctive and timeless, this Warming Drawer matches with our Contemporary style family of appliances. Featuring a push-to-open mechanism, intuitive touch controls, and a smooth glass base for easy cleaning. With six tailored programmes and space for 6 place settings, it keeps meals ready to serve.

PRODUCTS

WB24SCX3
24" Series 9 Contemporary Warming Drawer

FEATURES

- 1** Contemporary style is distinctive and timeless. Designed to match with our Contemporary style family of appliances
- 2** Push-to-open drawer, designed for added convenience
- 3** Simple and intuitive touch controls for effortless operation
- 4** Easy-to-clean glass base
- 5** Automatic switch-off and delayed start functionality to help keep dishes warm until it is time to serve
- 6** Room for 6 standard-sized place settings
- 7** Six tailored programmes including Warming, Proofing, Dehydrating, and Slow Cooking offer convenience and flexibility

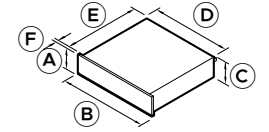
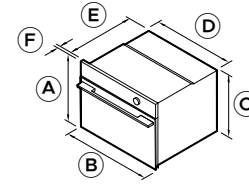
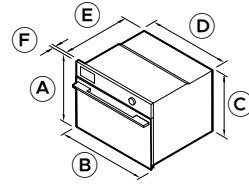
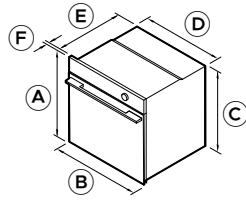


SERIES & STYLE

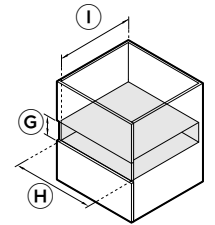
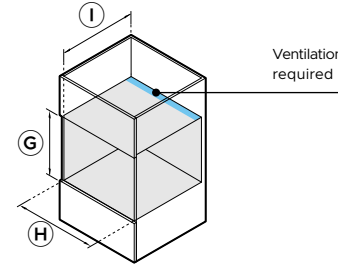
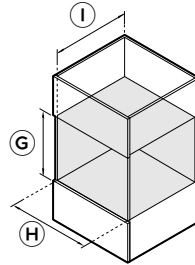
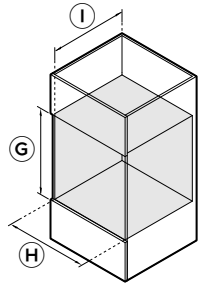
Series 9
Contemporary

The models shown in this Planning Guide may not be available in all markets and are subject to change at any time. Product specifications may vary from those shown. This Planning Guide should not be used as installation guidance for any product. Further information is required to safely and correctly install the products featured here. Specific installation guidance will be available with the product on delivery and on our website fisherpaykel.com

PRODUCT DIMENSIONS



CAVITY DIMENSIONS



SELF-CLEANING OVEN
OB24SACPUDX5

COMPACT COMBI-STEAM OVEN
OS24NACVUDX5

COMPACT CONVECTION-SPEED OVEN
OM24NCUDX5

WARMING DRAWER
WB24SCX3

PRODUCT DIMENSIONS

A	Overall product height
B	Overall product width
C	Chassis height
D	Chassis width
E	Chassis depth
F	Front frame depth (excludes handle)
	Front panel height
	Front panel width
	Door open depth at 90° (from product front)
	Drawer extension

	inch	mm
A	23 9/16	598
B	23 7/16	596
C	22 5/8	575
D	21 7/8	556
E	21 7/16	545
F	13/16	20
	-	-
	-	-
	18 1/4	463
	-	-

	inch	mm
	18	458
	23 7/16	596
	17 1/8	435
	21 7/8	556
	21 7/16	545
	13/16	20
	-	-
	-	-
	12 3/4	324
	-	-

	inch	mm
	18	458
	23 7/16	596
	17 1/8	435
	21 7/8	556
	21 7/16	545
	13/16	20
	-	-
	-	-
	12 3/4	324
	-	-

	inch	mm
	5 1/2	140
	23 7/16	596
	5 1/2	140
	21 3/8	543
	21 9/17*	547*
	13/16	20
	5 3/8	136
	23 7/16	596
	-	-
	max 16 5/16	max 414

*Including power plug.

CAVITY DIMENSIONS

G	Cavity height
H	Cavity width
I	Cavity depth (from chassis front datum)

	inch	mm
G	min 22 13/16	min 580
H	min 22 1/16	min 560
I	min 21 5/8	min 550

	inch	mm
	min 17 5/16	min 440
	min 22 1/16	min 560
	min 21 5/8	min 550

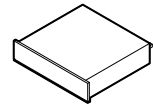
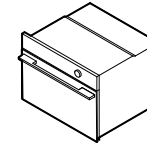
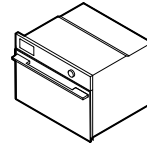
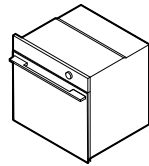
	inch	mm
	min 17 5/16	min 440
	min 22 1/16	min 560
	min 21 5/8*	min 550*

	inch	mm
	min 5 9/16	min 142
	min 22 1/16	min 560
	min 21 5/8	min 550

*Minimum total ventilation area of 43.4in (280cm²) is required. The ventilation opening must be located at the rear of the cavity and may be positioned at the base, sides, or top of the cavity.
Note: 24" Fisher & Paykel ovens can be installed directly onto the drawer. An intermediate shelf is not required.

The models shown in this Planning Guide may not be available in all markets and are subject to change at any time. Product specifications may vary from those shown. This Planning Guide should not be used as installation guidance for any product. Further information is required to safely and correctly install the products featured here. Specific installation guidance will be available with the product on delivery and on our website fisherpaykel.com

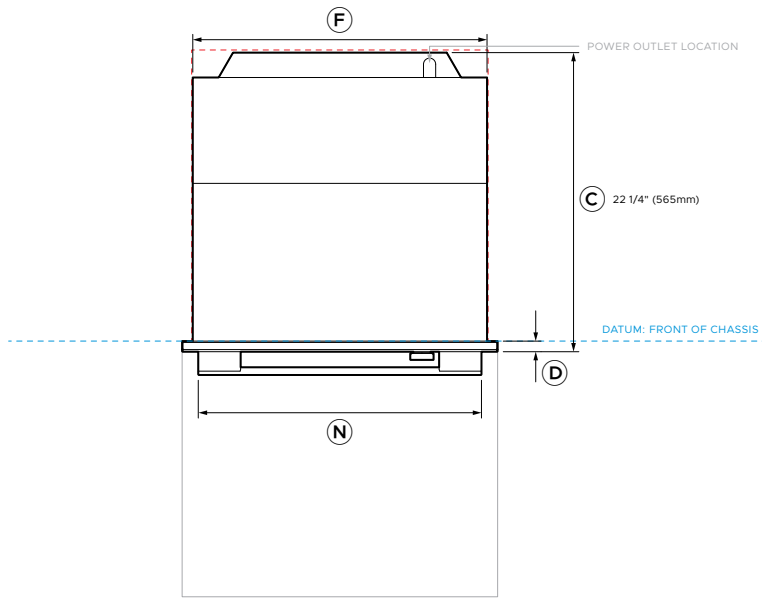
ISOMETRIC VIEW



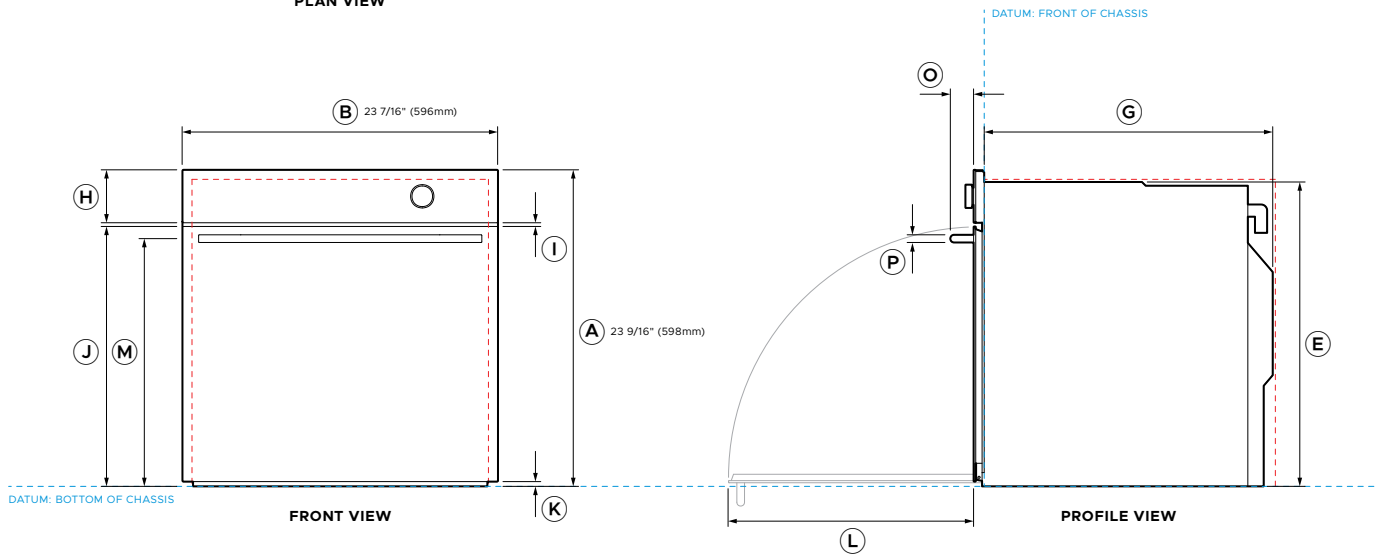
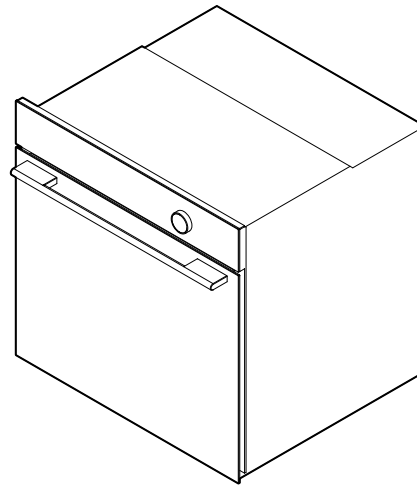
	SELF-CLEANING OVEN OB24SACPUDX5	COMPACT COMBI-STEAM OVEN OS24NACVUDX5	COMPACT CONVECTION-SPEED OVEN OM24NCUDX5	WARMING DRAWER WB24SCX3
PRODUCT REQUIREMENTS				
Dedicated Circuit (A)	20	20	20	15
Rated Power (W)	4200 / 3200	4200 / 3200	3300 / 3900	930
Supply (Hz)	60	60	60	60
Voltage (V)	208 / 240	208 / 240	208 / 240	120
Connection	Hard-wired 48" (1220mm)*	Hard-wired 48" (1220mm)*	Hard-wired 70 7/8" (1800mm)*	Flex cord 70 7/8" (1800mm)*
*Supplied with product. Note: For multi-residential installations, use the Rated Power to calculate the demand.				
CAPACITY				
Total Oven capacity	3cu ft (85L)	1.94cu ft (55L)	1.7cu ft (49L)	-
Total water tank capacity	-	23 fl oz (0.67L)	-	-
Note: All Coffee Makers have internal water tanks which need to be filled manually. No external water supply is required.				
WEIGHTS				
Packaged	115lb (52kg)	106lb (48kg)	106lb (48kg)	40lb (18kg)
Unpackaged	99lb (45kg)	82lb (37kg)	84lb (38kg)	37lb (17kg)

The models shown in this Planning Guide may not be available in all markets and are subject to change at any time. Product specifications may vary from those shown. This Planning Guide should not be used as installation guidance for any product. Further information is required to safely and correctly install the products featured here. Specific installation guidance will be available with the product on delivery and on our website fisherpaykel.com

DATA SHEETS

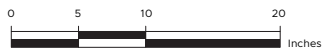


PLAN VIEW



FRONT VIEW

PROFILE VIEW



Model no:

OB24SACPUDX5

24" Series 9 Contemporary Self-Cleaning Oven

Product Dimensions

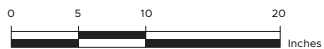
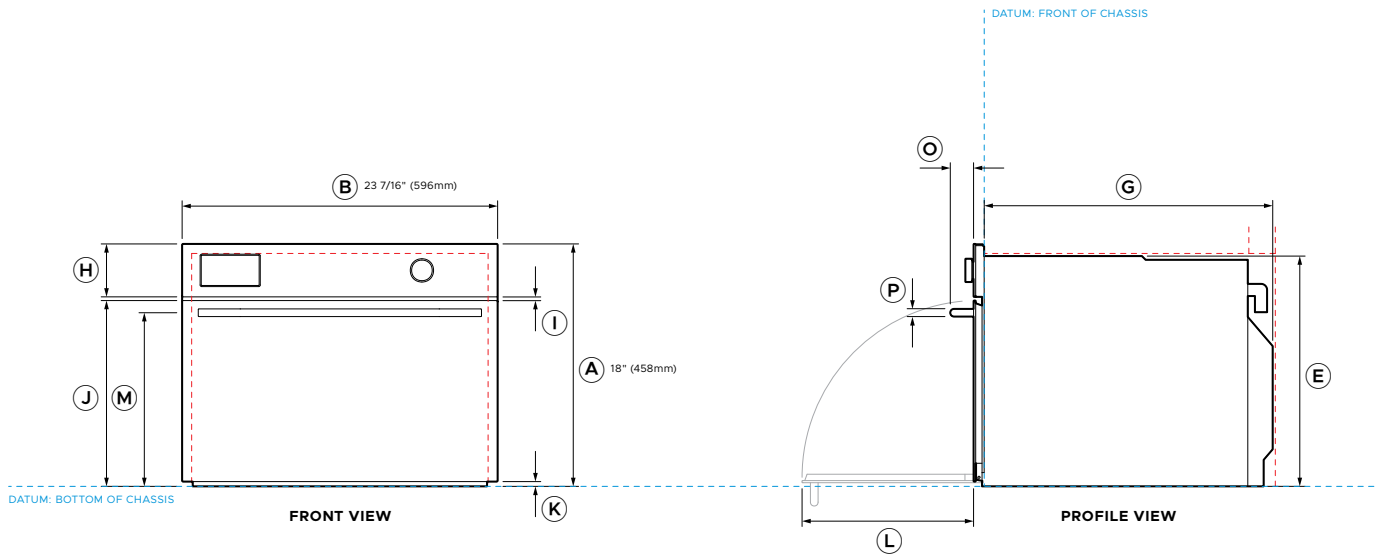
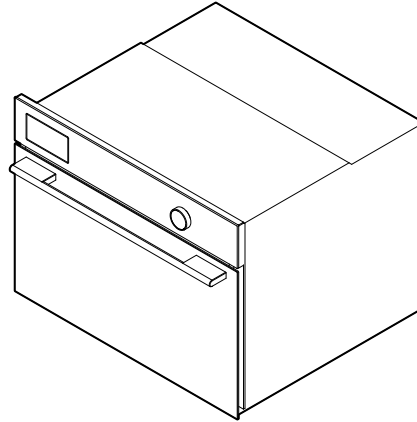
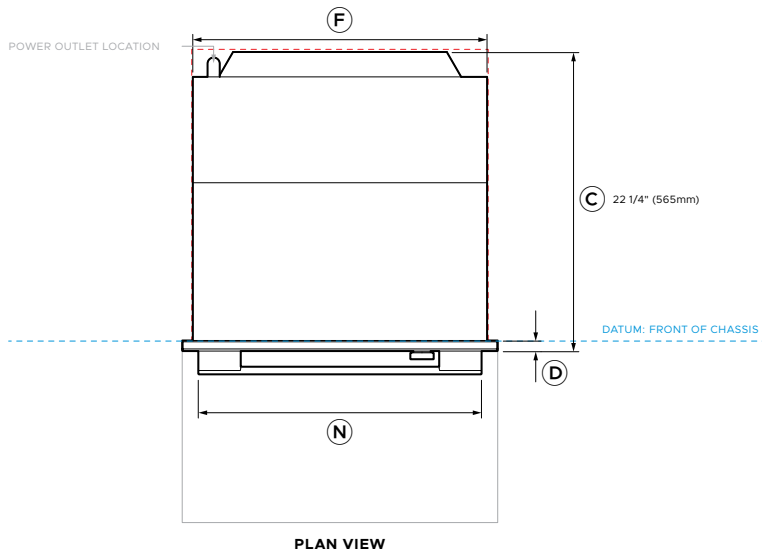
	inch	mm
A Overall product height	23 9/16	598
B Overall product width	23 7/16	596
C Overall product depth (excludes handle)	22 1/4	565
D Front frame depth (excludes handle)	13/16	20
E Chassis height	22 5/8	575
F Chassis width	21 7/8	556
G Chassis depth	21 7/16	545
H Control panel height	3 15/16	100
I Door-to-control panel gap	9/32	7
J Door upper edge height (from chassis base datum)	19 5/16	491
K Door lower edge height (from chassis base datum)	3/8	9
L Door open depth at 90° (from product front)	8 1/4	463
M Handle centreline height (from chassis base datum)	18 7/16	468
N Handle width	21 1/16	535
O Handle depth (projection)	1 3/4	44
P Handle thickness	5/8	15

Minimum Clearances

	inch	mm
Cavity height	min 22 13/16	min 580
Cavity width	min 22 1/16	min 560
Cavity depth (from chassis front datum)	min 21 5/8	min 550
Front frame clearance - top & sides	min 1/16	min 2

----- INDICATES PRODUCT DATUM
 - - - - - INDICATES CABINETRY CLEARANCES

IMPORTANT NOTE: Throughout this guide, dimensions may vary by ±2mm (1/16"). Please read the installation manual for detailed information on installing the product. For full installation instructions & specifications visit fisherpaykel.com



Model no:

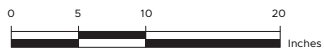
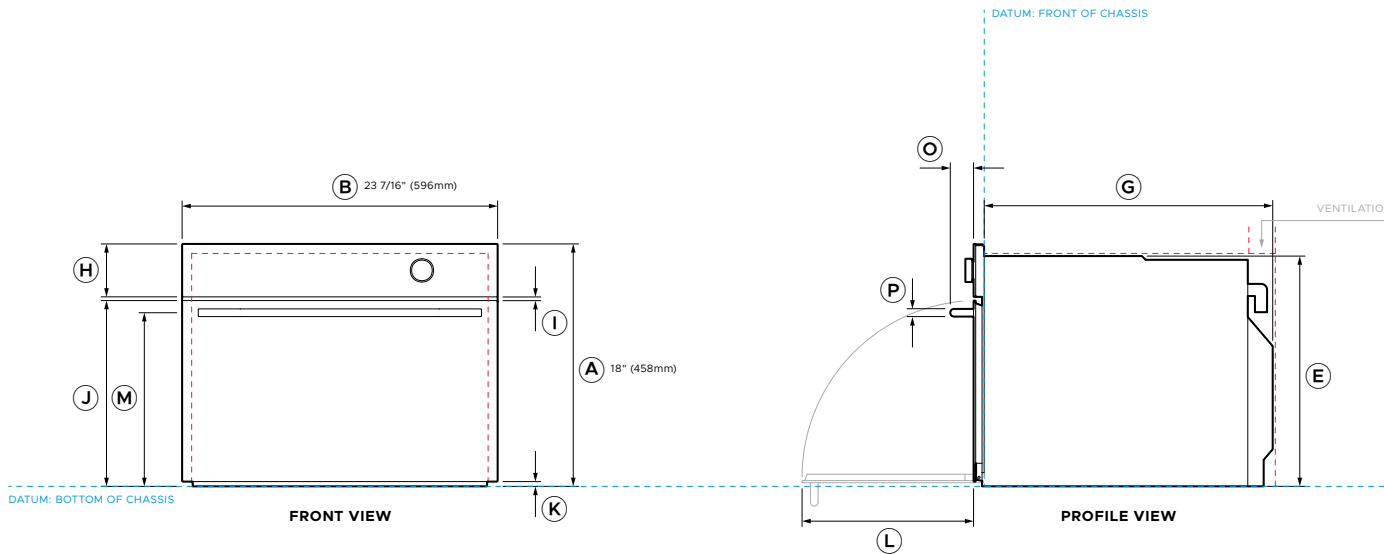
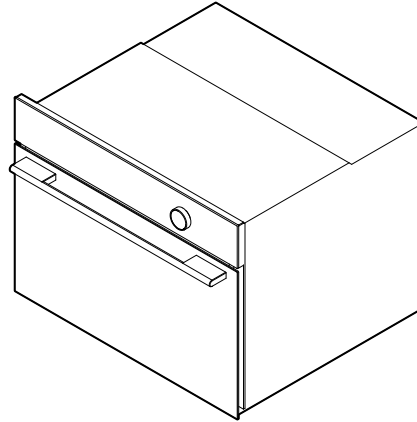
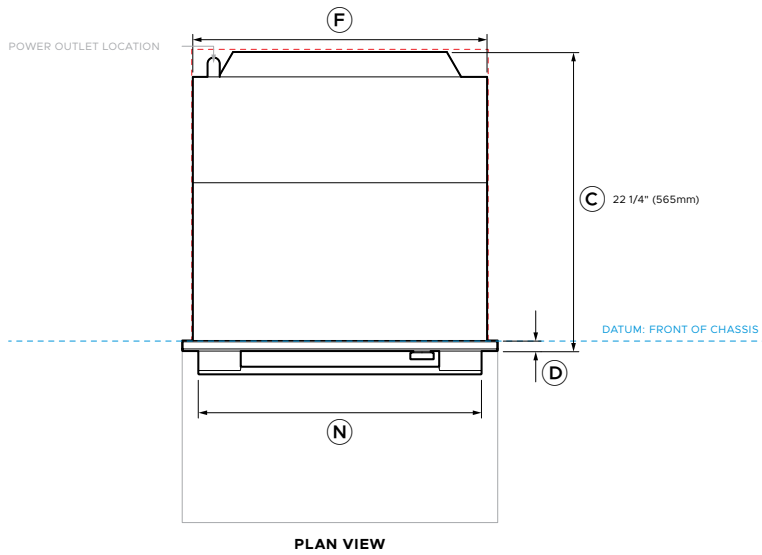
OS24NACVUDX5

24" Series 9 Contemporary Compact Combi-Steam Oven

Product Dimensions		inch	mm
A	Overall product height	18	458
B	Overall product width	23 7/16	596
C	Overall product depth (excludes handle)	22 1/4	565
D	Front frame depth (excludes handle)	13/16	20
E	Chassis height	17 1/8	435
F	Chassis width	21 7/8	556
G	Chassis depth	21 7/16	545
H	Control panel height	3 15/16	100
I	Door-to-control panel gap	9/32	7
J	Door upper edge height (from chassis base datum)	13 13/16	351
K	Door lower edge height (from chassis base datum)	3/8	9
L	Door open depth at 90° (from product front)	12 3/4	324
M	Handle centreline height (from chassis base datum)	12 29/32	328
N	Handle width	21 1/16	535
O	Handle depth (projection)	1 3/4	44
P	Handle thickness	5/8	15
Minimum Clearances		inch	mm
Cavity height		min 17 5/16	min 440
Cavity width		min 22 1/16	min 560
Cavity depth (from chassis front datum)		min 21 5/8	min 550
Front frame clearance - top & sides		min 1/16	min 2

----- INDICATES PRODUCT DATUM
 - - - - - INDICATES CABINETRY CLEARANCES

IMPORTANT NOTE: Throughout this guide, dimensions may vary by ±2mm (1/16"). Please read the installation manual for detailed information on installing the product. For full installation instructions & specifications visit fisherpaykel.com



Model no:

OM24NCUDX5

24" Series 9 Contemporary Compact Convection-Speed Oven

Product Dimensions

	inch	mm
A Overall product height	18	458
B Overall product width	23 7/16	596
C Overall product depth (excludes handle)	22 1/4	565
D Front frame depth (excludes handle)	13/16	20
E Chassis height	17 1/8	435
F Chassis width	21 7/8	556
G Chassis depth	21 7/16	545
H Control panel height	3 15/16	100
I Door-to-control panel gap	9/32	7
J Door upper edge height (from chassis base datum)	13 13/16	351
K Door lower edge height (from chassis base datum)	3/8	9
L Door open depth at 90° (from product front)	12 3/4	324
M Handle centreline height (from chassis base datum)	12 29/32	328
N Handle width	21 1/16	535
O Handle depth (projection)	1 3/4	44
P Handle thickness	5/8	15

Minimum Clearances

	inch	mm
Cavity height	min 17 5/16	min 440
Cavity width	min 22 1/16	min 560
Cavity depth (from chassis front datum)	min 21 5/8	min 550
Front frame clearance - top & sides	min 1/16	min 2

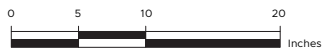
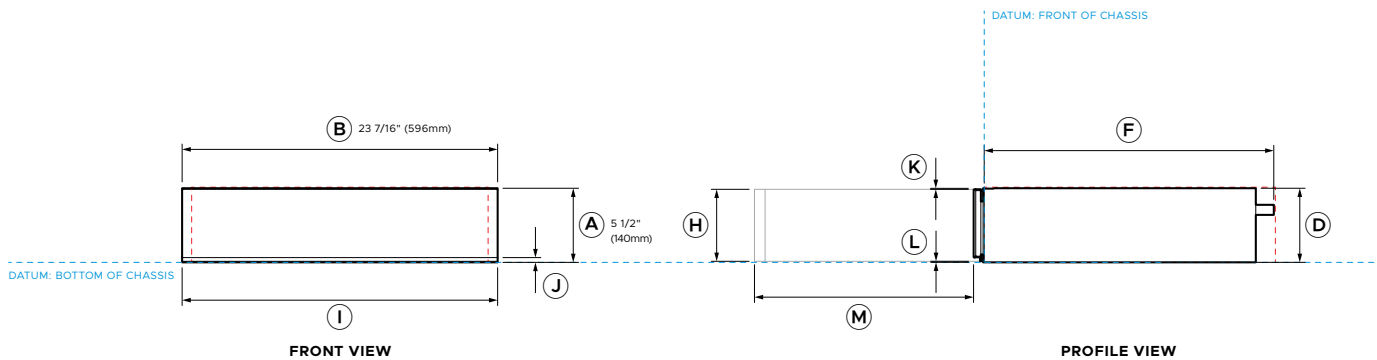
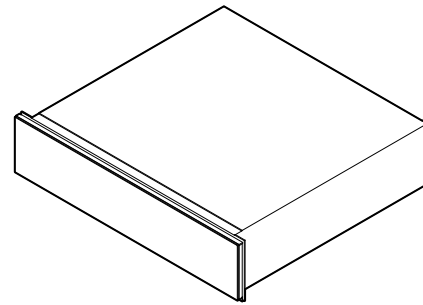
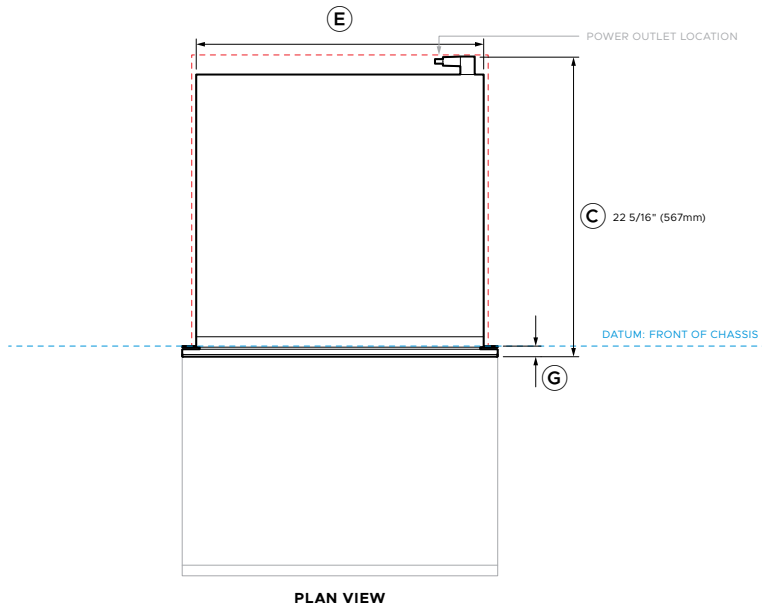
Ventilation Requirements

	inch	mm
Rear ventilation opening height*	min 2	min 50
Rear ventilation opening width*	min 22 1/16	min 560

*Minimum total ventilation area of 43.4in² (280cm²) is required. The ventilation opening must be located at the rear of the cavity and may be positioned at the base, sides, or top of the cavity.

----- INDICATES PRODUCT DATUM
 - - - - - INDICATES CABINETRY CLEARANCES

IMPORTANT NOTE: Throughout this guide, dimensions may vary by ±2mm (1/16"). Please read the installation manual for detailed information on installing the product. For full installation instructions & specifications visit fisherpaykel.com



Model no:
WB24SCX3 24" Series 9 Contemporary Warming Drawer

Product Dimensions		inch	mm
A	Overall product height	5 1/2	140
B	Overall product width	23 7/16	596
C	Overall product depth (includes power plug)	22 5/16	567
D	Chassis height	5 1/2	140
E	Chassis width	21 3/8	543
F	Chassis depth	21 9/17	547
G	Front frame depth (includes flange and front panel)	13/16	20
H	Front panel height	5 3/8	136
I	Front panel width	23 7/16	596
J	Front panel lower visual edge height (from chassis base datum)	3/8	9
K	Front panel upper edge to top of chassis	1/16	2
L	Front panel lower true edge height (from chassis base datum)	1/16	2
M	Drawer extension	max 16 5/16	max 414

Minimum Clearances		inch	mm
Cavity height			
- standalone installation		min 5 9/16	min 142
- stack installation		5 1/2	140
Cavity width		min 22 1/16	min 560
Cavity depth (from chassis front datum)		min 21 5/8	min 550
Front frame clearance - top & sides		min 1/16	min 2

Note: 24" Fisher & Paykel ovens can be installed directly onto the drawer. An intermediate shelf is not required.

----- INDICATES PRODUCT DATUM
----- INDICATES CABINETRY CLEARANCES

IMPORTANT NOTE: Throughout this guide, dimensions may vary by ±2mm (1/16"). Please read the installation manual for detailed information on installing the product. For full installation instructions & specifications visit fisherpaykel.com

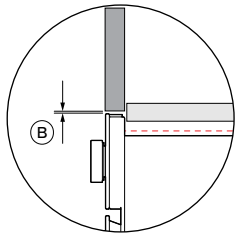
PLANNING CONSIDERATIONS

CABINETS CLEARANCES

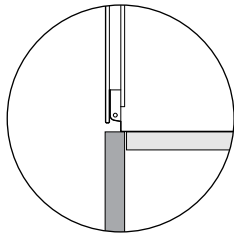
CLEARANCES		inch	mm
A	Front/custom panel clearance - sides	min 1/16	min 2
B	Front/custom panel clearance - top	min 1/16	min 2

UNDERBENCH

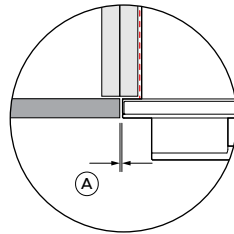
If installing a cooktop above the oven, ensure adequate clearance is provided for the cooktop as per the cooktop manufacturer's instructions.



DETAIL 1
PROFILE VIEW

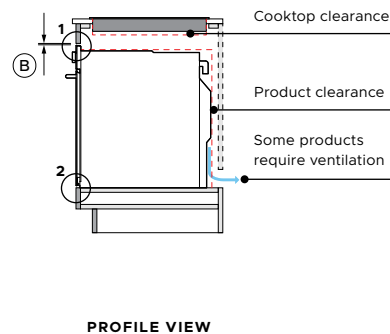
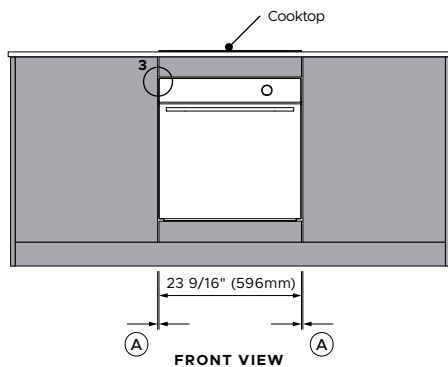


DETAIL 2
PROFILE VIEW



DETAIL 3
PLAN VIEW

Products require no bottom clearance between product to cabinetry front panel or appliance.



INSTALLATION

SINGLE

Head to the 'Data Sheets' section in this Planning Guide for details.

STACKED OR GRID

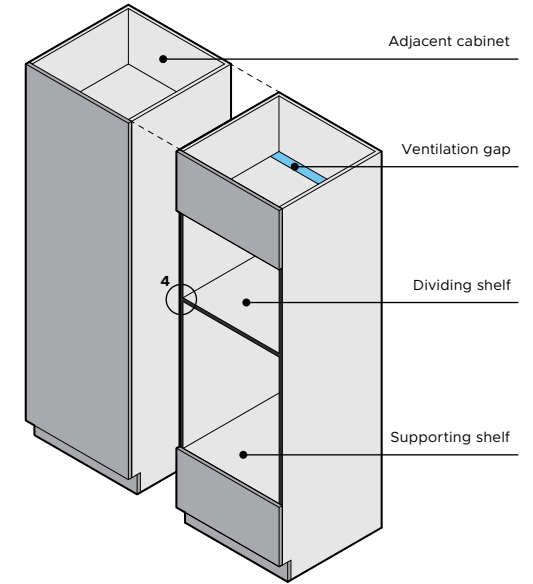
Head to the 'Stack Height' section in this Planning Guide for details.

BLACK CLASHING

Black edge clashing is recommended on all front facing panels and openings at product locations, and on side cabinet panels where a rebated exists.

DIVIDING SHELF

If the appliance front panel is thicker than the cabinetry front panel, adjust the dividing shelf depth to ensure the oven sits flush with the front of the cabinetry.

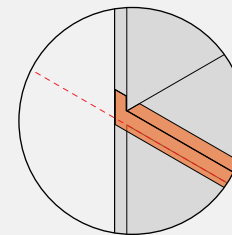


OVEN CABINETS TRIM (OPTIONAL)

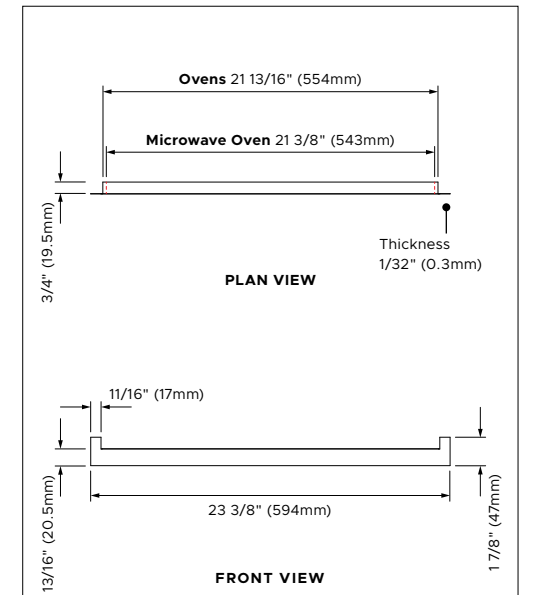
An optional black cabinetry trim is supplied with all ovens.

Prior to installation, check the trim height against dividing or supporting shelves. If required, score and cut the trim to the appropriate height to prevent interference.

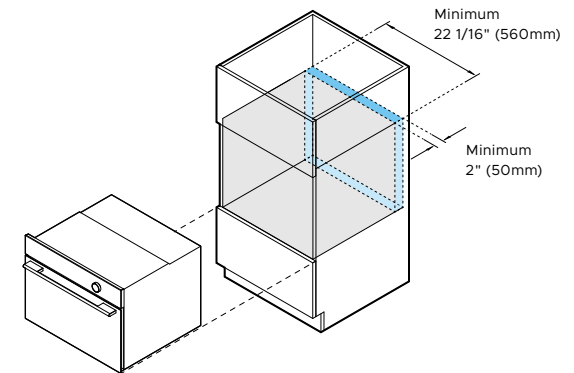
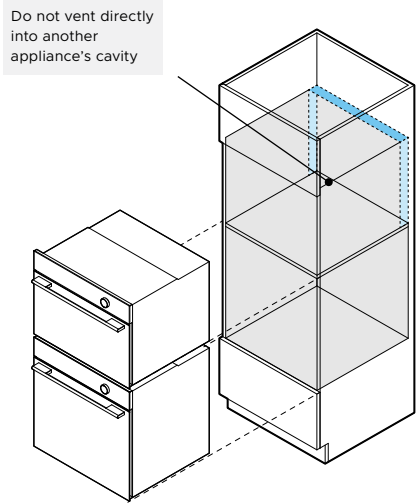
Note: Microwave ovens has a different trim width. Ensure the correct trim is used for each appliance.



DETAIL 4
ISOMETRIC VIEW



The models shown in this Planning Guide may not be available in all markets and are subject to change at any time. Product specifications may vary from those shown. This Planning Guide should not be used as installation guidance for any product. Further information is required to safely and correctly install the products featured here. Specific installation guidance will be available with the product on delivery and on our website fisherpaykel.com



Options for total minimum ventilation area

VENTILATION

Ventilation is required to ensure proper performance of certain products.

Possible Venting Locations:

- Space behind the cabinet
- Upper cavity (not a product cavity)
- Toe kick cavity
- Adjacent cabinetry (not a product cavity)

Cabinet with back panel or installed against a wall:

Select one of the venting locations listed above, providing the required minimum ventilation area.

Cabinet without back panel:

If the cabinet is manufactured without a back panel and is not positioned directly against a wall, the open back will provide sufficient ventilation.

Do not vent directly into another appliance's cavity.

COMPACT CONVECTION-SPEED OVEN

OM24NCUDX5

VENTILATION PLACEMENT

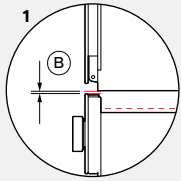
Total minimum ventilation area	43.4in (280cm ²) or 2" x 22 1/16" (50mm x 560mm)
Cavity venting options	base, sides, top or back

The models shown in this Planning Guide may not be available in all markets and are subject to change at any time. Product specifications may vary from those shown. This Planning Guide should not be used as installation guidance for any product. Further information is required to safely and correctly install the products featured here. Specific installation guidance will be available with the product on delivery and on our website fisherpaykel.com

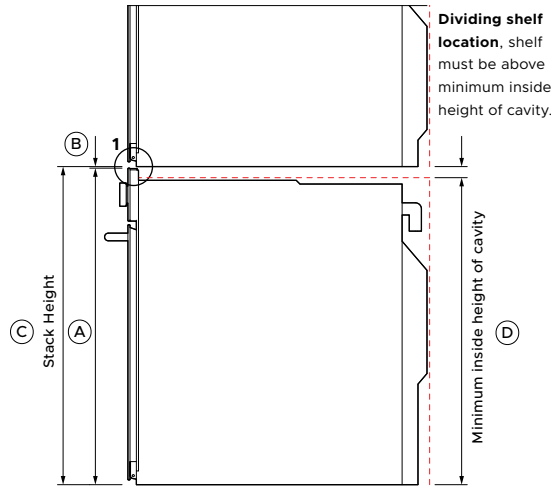
STACK HEIGHT

Stack height is overall product height with minimum clearance above appliance control panel or front panel.

$$\begin{array}{r}
 \text{A Overall product height} \\
 + \\
 \text{B Minimum top clearance above appliance front/custom panel to upper} \\
 \text{appliance} \\
 = \\
 \text{C Stack Height}
 \end{array}$$



DETAIL 1
PROFILE VIEW



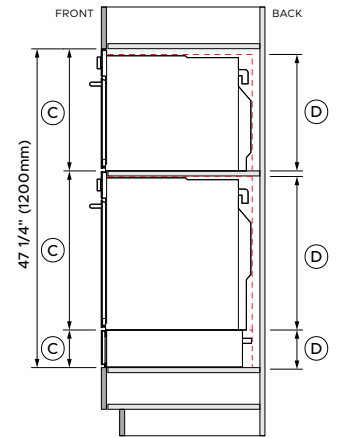
PROFILE VIEW

Ventilation air vent is required at rear of cabinetry for some products.

Dividing shelves are required to support stacked appliances and to achieve correct clearance.

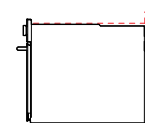
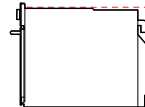
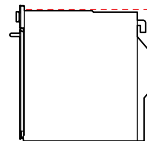
Dividing shelves must be constructed from material that will support the weight of the appliances. Ensure the product is not bearing any weight from cabinetry or products installed above.

Drawers can fully support a 24" Fisher & Paykel ovens. An intermediate shelf is not required.



EXAMPLE
PROFILE VIEW

MINIMUM INSIDE HEIGHT OF CAVITY



SELF-CLEANING OVEN
OB24SACPUDX5

COMPACT COMBI-STEAM OVEN
OS24NACVUDX5

COMPACT CONVECTION-SPEED OVEN
OM24NCUDX5

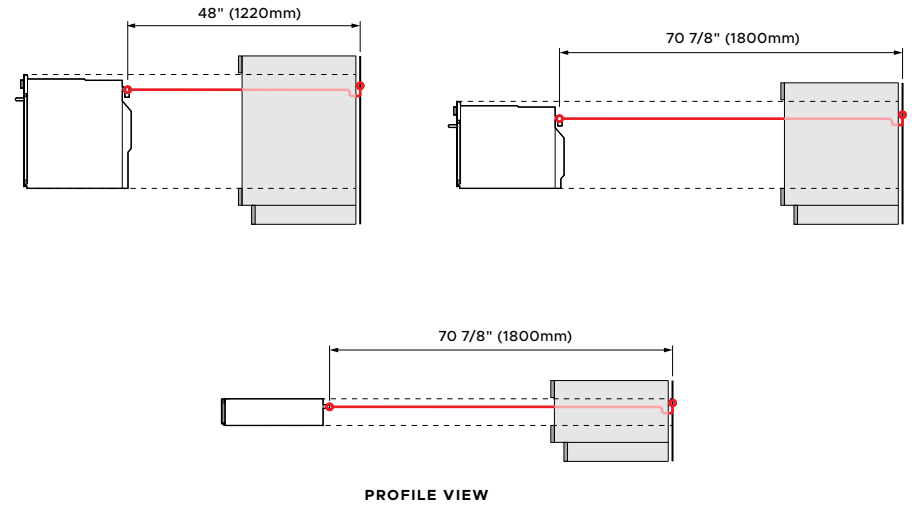
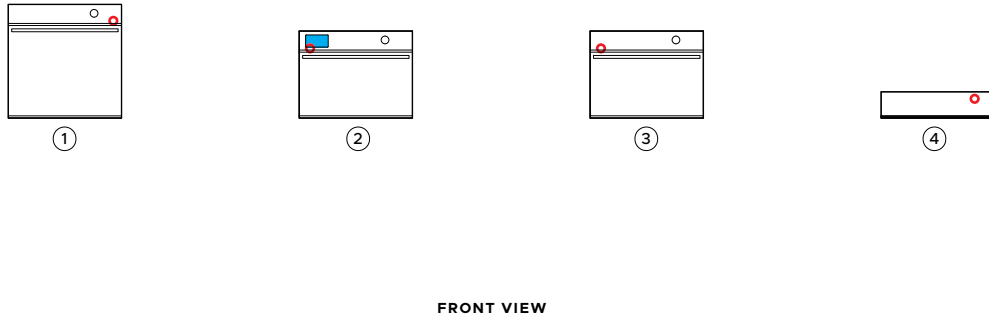
WARMING DRAWER
WB24SCX3

DIMENSIONS	SELF-CLEANING OVEN		COMPACT COMBI-STEAM OVEN		COMPACT CONVECTION-SPEED OVEN		WARMING DRAWER	
	inch	mm	inch	mm	inch	mm	inch	mm
A Overall product height	23 9/16	598	18	458	18	458	5 1/2	140
B Minimum top clearance above appliance front/custom panel	1/16	2	1/16	2	1/16	2	-	-
C Stack height	23 5/8	600	18 1/8	460	18 1/8	460	5 1/2	140*
D Minimum cavity height	22 13/16	580	17 5/16	440	17 5/16	440	5 1/2	140

*24" Fisher & Paykel ovens can be installed directly onto the drawer. An intermediate shelf is not required. Note: Standalone installation of drawers require minimum clearance above, head to 'Data Sheets' section of this Planning Guide for more details.

The models shown in this Planning Guide may not be available in all markets and are subject to change at any time. Product specifications may vary from those shown. This Planning Guide should not be used as installation guidance for any product. Further information is required to safely and correctly install the products featured here. Specific installation guidance will be available with the product on delivery and on our website fisherpaykel.com

SERVICES



CONNECTION

Connections may be located in an adjacent cabinet to either side of the appliance. Ensure power will remain accessible following installation to allow access for any future product maintenance.

POWER CONNECTION WATER TANK LOCATION

HARD-WIRED

For more information on electrical requirements, refer to the Installation Guide.

	SELF-CLEANING OVEN	COMPACT COMBI-STEAM OVEN	COMPACT CONVECTION-SPEED OVEN	WARMING DRAWERS
SERIES 9	1	2	3	4
	OB24SACPUDX5	OS24NACVUDX5	OM24NCUDX5	WB24SCX3
POWER CONNECTION				
Connection	Hard-wired	Hard-wired	Hard-wired	Flex cord
	48" (1220mm)	48" (1220mm)	70 7/8" (1800mm)	70 7/8" (1800mm)
Location	upper right	upper left	upper left	upper right
ELECTRICAL				
Dedicated Circuit (A)	20	20	20	15
Rated Power (W)	4200 / 3200	4200 / 3200	3300 / 3900	930
Supply (Hz)	60	60	60	60
Voltage (V)	208 / 240	208 / 240	208 / 240	120

Note: Multiple product installation requires the design of power outlets according to local regulations.

The models shown in this Planning Guide may not be available in all markets and are subject to change at any time. Product specifications may vary from those shown. This Planning Guide should not be used as installation guidance for any product. Further information is required to safely and correctly install the products featured here. Specific installation guidance will be available with the product on delivery and on our website fisherpaykel.com

