

REFRIGERATOR FREEZERS

PLANNING GUIDE

**SERIES 7 FRENCH DOOR REFRIGERATOR FREEZER
RF505ANUX1**

**SERIES 7 REFRIGERATOR FREEZER
RF505BRNQX1**

INTRODUCTION

This comprehensive planning guide provides you with the framework and tools to achieve your desired design outcome with Fisher & Paykel appliances. In this guide, you will find a range of conceptual, detailed, and dimensional product information to bring your ideas to life and create spaces that truly reflect your vision.

SUPPORT

For additional design planning and installation support please contact the Fisher & Paykel design support team.
designsupport@fisherpaykel.com

NOTES

The models shown in this Planning Guide may not be available in all markets and are subject to change at any time. Refer to our website fisherpaykel.com for the latest document version. Product specifications may vary from those shown. This Planning Guide should not be used as installation guidance for any product. Specific installation guidance will be available with the product on delivery and on our website.

CONTENTS

CONCEPT DESIGN	PAGE	DEVELOPED AND DETAILED DESIGN	PAGE	DEVELOPED AND DETAILED DESIGN	PAGE
Specification guide		Data sheets		Services	
RF505ANUX1	4	RF505ANUX1	9	RF505ANUX1	18
RF505BRNQX1	5	RF505BRNQX1	10	RF505BRNQX1	19
Design choices		Planning considerations			
Product options	7	Cavity specifications	12		
		Cavity width for door opening	13		
		Door opening clearance	14		
		Venting specifications	15		
		Service specifications	16		

SPECIFICATION GUIDE



OVERVIEW

With a sleek stainless or black stainless finish, this 511L French Door fridge is designed for everyday convenience. It offers plenty of fresh food space with a 70:30 split, dual humidity bins, and a slimline dispenser for chilled water and ice - making it a practical, stylish choice for busy households.

PRODUCTS*

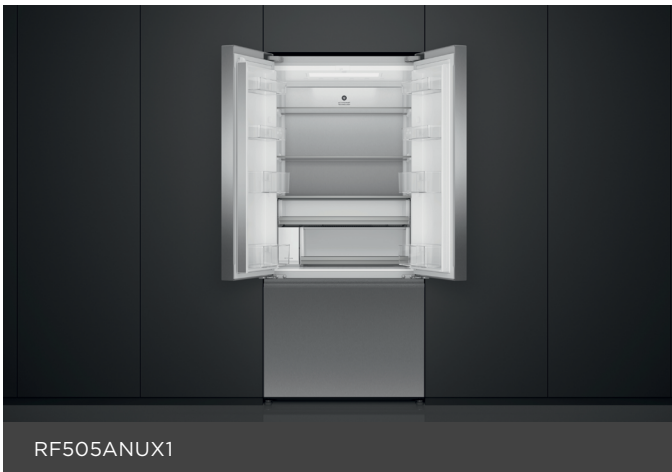
RF505ANUX1

511L Series 7 French Door Refrigerator Freezer, Ice & Water.
Stainless Steel

*Some models may not be available in all markets, please check fisherpaykel.com for more information.

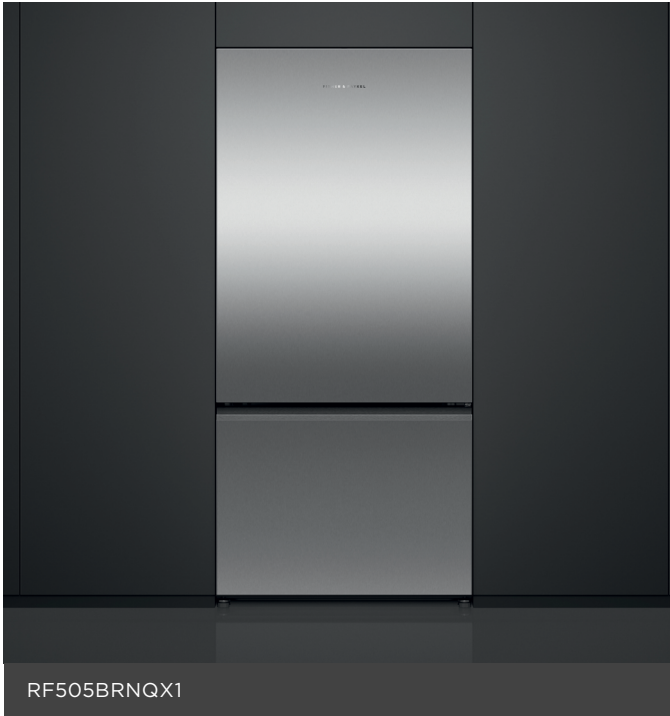
FEATURES

- ① Sleek French Door design with recessed handles for a contemporary look.
- ② Available in stainless steel to complement any kitchen style.
- ③ 70:30 fridge-to-freezer split for generous fresh food capacity.
- ④ Dual humidity bins preserve fruits and vegetables in ideal conditions for lasting freshness.
- ⑤ ActiveSmart™ technology maintains the ideal temperature to help keep food fresher for longer.
- ⑥ Slimline water dispenser and internal ice maker provide chilled water and ice on demand.
- ⑦ Energy-efficient design cools and defrosts only when needed, saving energy without compromise.
- ⑧ Full-width drawers and flexible shelving support easy organisation.
- ⑨ Premium materials including solid glass shelving and stainless detailing.



RF505ANUX1

The models shown in this Planning Guide may not be available in all markets and are subject to change at any time. Product specifications may vary from those shown. This Planning Guide should not be used as installation guidance for any product. Further information is required to safely and correctly install the products featured here. Specific installation guidance will be available with the product on delivery and on our website fisherpaykel.com



OVERVIEW

With a slimline, counter-depth design and recessed handles, this 515L bottom freezer refrigerator offers a streamlined aesthetic and generous fresh food capacity. A 70:30 fridge-freezer split, dual humidity bins, and ActiveSmart™ technology help keep food fresher for longer, while flexible shelving supports easy organisation.

PRODUCTS*

RF505BRNQX1 - Energy Hero

515L Series 7 Refrigerator Freezer, Stainless Steel

*Some models may not be available in all markets, please check fisherpaykel.com for more information.



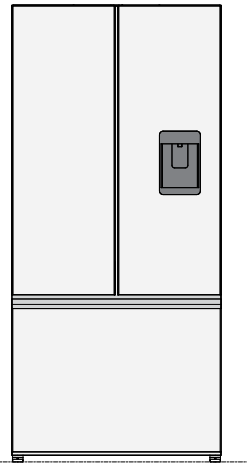
FEATURES

- ① Slimline, counter-depth design with a bottom freezer.
- ② Available in stainless steel to complement any kitchen style.
- ③ 70:30 fridge-to-freezer split for generous fresh food capacity.
- ④ Dual humidity bins preserve fruits and vegetables in ideal conditions for lasting freshness.
- ⑤ ActiveSmart™ technology maintains the ideal temperature to help keep food fresher for longer.
- ⑥ Spacious bottom freezer with full extension drawers gives easy access to frozen goods.
- ⑦ Full-width drawers and flexible shelving support easy organisation.
- ⑧ Premium materials including solid glass shelving and stainless detailing.
- ⑨ Reversible door hinge for flexible installation.

The models shown in this Planning Guide may not be available in all markets and are subject to change at any time. Product specifications may vary from those shown. This Planning Guide should not be used as installation guidance for any product. Further information is required to safely and correctly install the products featured here. Specific installation guidance will be available with the product on delivery and on our website fisherpaykel.com

DESIGN CHOICES

FRENCH DOOR REFRIGERATOR FREEZER



①

Model	Finish
① RF505ANUX1 80cm French Door Refrigerator Freezer with Ice and Water	Stainless Steel

REFRIGERATOR FREEZER

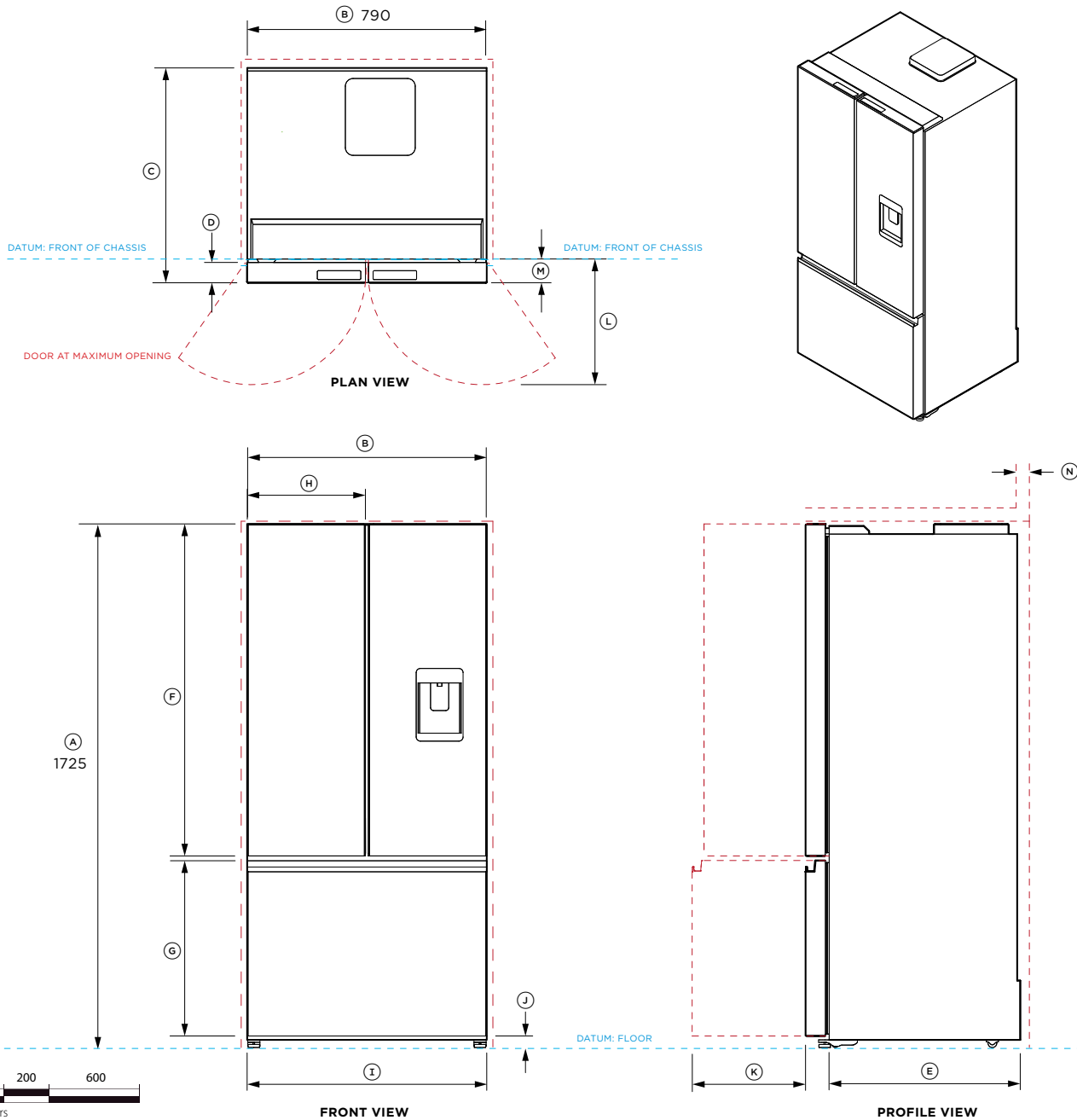


②

Model	Finish
② RF505BRNQX1 80cm Door Refrigerator Freezer - Energy Efficient	Stainless Steel

The models shown in this Planning Guide may not be available in all markets and are subject to change at any time. Product specifications may vary from those shown. This Planning Guide should not be used as installation guidance for any product. Further information is required to safely and correctly install the products featured here. Specific installation guidance will be available with the product on delivery and on our website fisherpaykel.com

DATA SHEETS



Model no:
RF505ANUX1

Product Dimensions	mm
(A) Overall height of product	1725
(B) Overall width of chassis	790
(C) Overall depth of product	707
(D) Overall depth of door	66
(E) Depth of chassis	629

Door Dimensions	mm
(F) Height of door	1095
(G) Height of drawer	578
(H) Width of door	390
(I) Width of drawer	790
(J) Door panel to floor	38

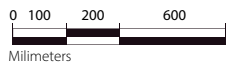
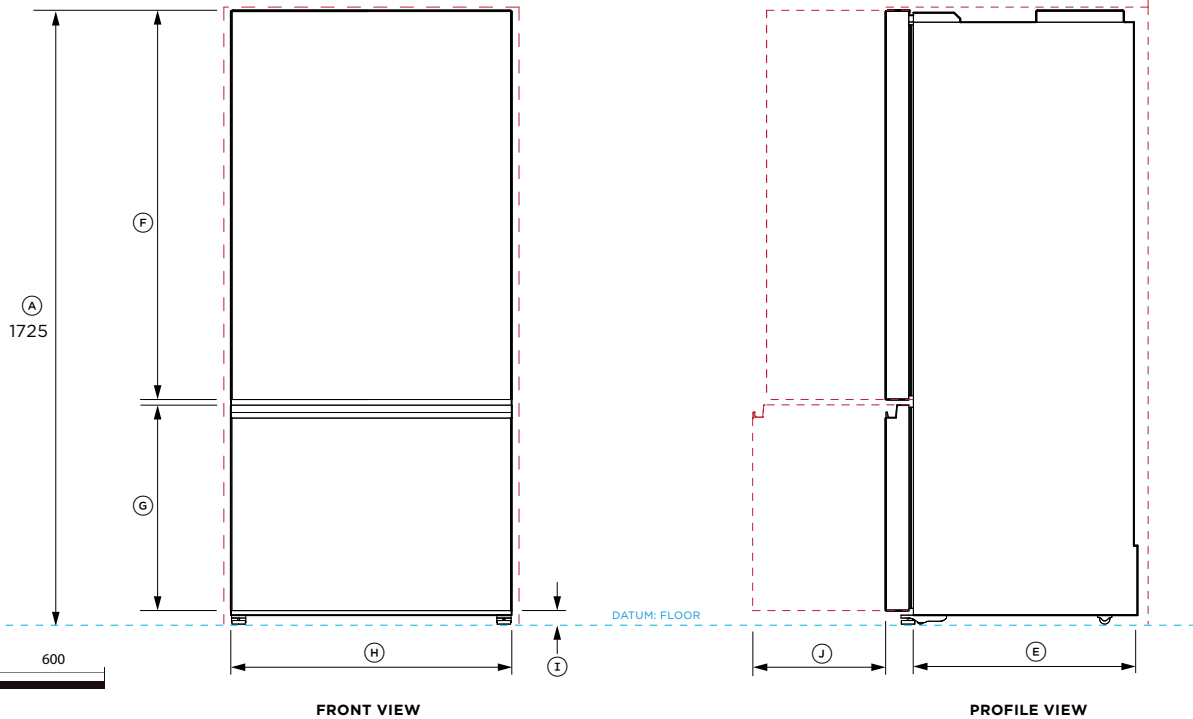
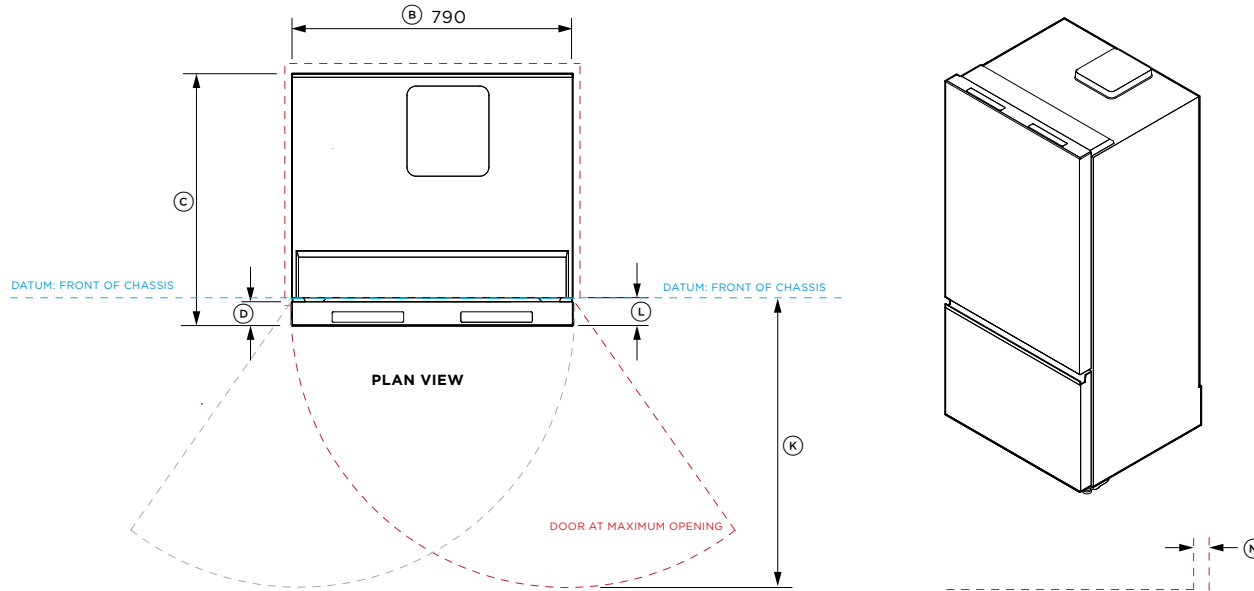
Door/Drawer Opening Dimensions	mm
(K) Depth of drawer (open)	375
(L) Depth of door (max opening) from front of panel**	403
(M) Depth of door to front of chassis	78

Minimum Clearances	mm
(N) Vent cavity*	50
Minimum clearance to chassis side**	20
Minimum rear clearance	30

*Venting cavity must be included either directly over the refrigerator or around an overhead cupboard. Check the Venting Specifications page for details.
 **Does not include door opening.
 ***Assumes minimum side clearance of 20mm.

----- INDICATES CABINETRY / PRODUCT DATUM
 - - - - - INDICATES CABINETRY CLEARANCES
 - · - · - INDICATES CUTOUT

IMPORTANT NOTE: Throughout this guide, dimensions may vary by ±2mm (1/16"). Please read the installation manual for detailed information on installing the product. For full installation instructions & specifications visit fisherpaykel.com



Model no:
RF505BRNQX1

Hinges are reversible for left or right installation

Product Dimensions		mm
Ⓐ	Overall height of product	1725
Ⓑ	Overall width of chassis	790
Ⓒ	Overall depth of product	707
Ⓓ	Overall depth of door	66
Ⓔ	Depth of chassis	629

Door Dimensions		mm
Ⓕ	Height of door	1095
Ⓖ	Height of drawer	578
Ⓗ	Width of door and drawer	790
Ⓘ	Door panel to floor	38

Door/Drawer Opening Dimensions		mm
Ⓙ	Depth of drawer (open)	375
Ⓚ	Depth of door (max opening) from front of panel**	803
Ⓛ	Depth of door to front of chassis	78

Minimum Clearances		mm
Ⓜ	Vent cavity*	50
	Minimum clearance to chassis side**	20
	Minimum rear clearance	30

*Vent cavity must be included either directly over the refrigerator or around an overhead cupboard. Check the Venting Specifications page for details.

**Does not include door opening.

***Assumes minimum side clearance of 20mm.

Note: Door hinges are reversible and allow for either left-hand or right-hand installation. A hinging kit is included.

----- INDICATES CABINETRY / PRODUCT DATUM
 - - - - - INDICATES CABINETRY CLEARANCES
 - · - · - INDICATES CUTOUT

IMPORTANT NOTE: Throughout this guide, dimensions may vary by ±2mm (1/16"). Please read the installation manual for detailed information on installing the product. For full installation instructions & specifications visit fisherpaykel.com

PLANNING CONSIDERATIONS

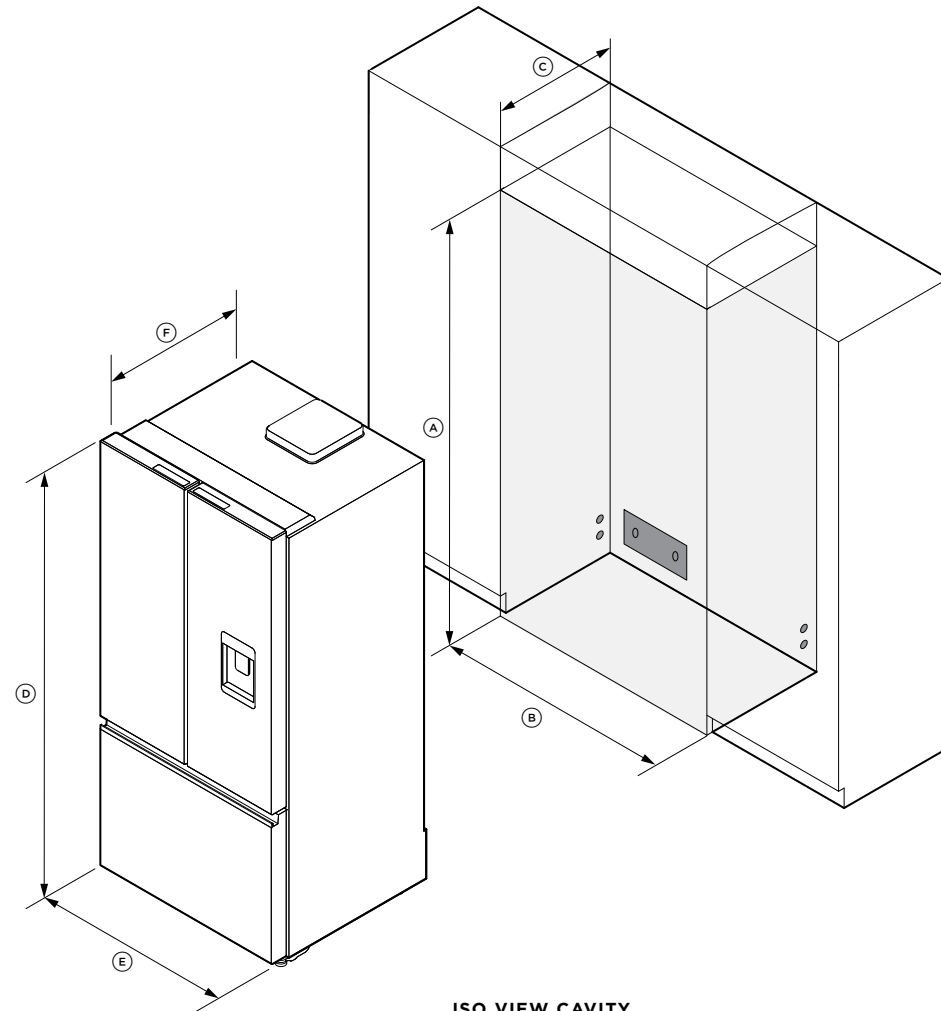
DESIGN PLANNING | CAVITY SPECIFICATIONS

CAVITY SPECIFICATIONS

Dimensions	mm
(A) Minimum cavity height*	1735
(B) Minimum cavity width	
Flush to door - maximum opening	950
Flush to chassis - maximum opening	830
(C) Minimum cavity depth**	
Flush to door - maximum opening	737
Flush to chassis - maximum opening	650
(D) Product height	1725
(E) Product width	790
(F) Product depth	707

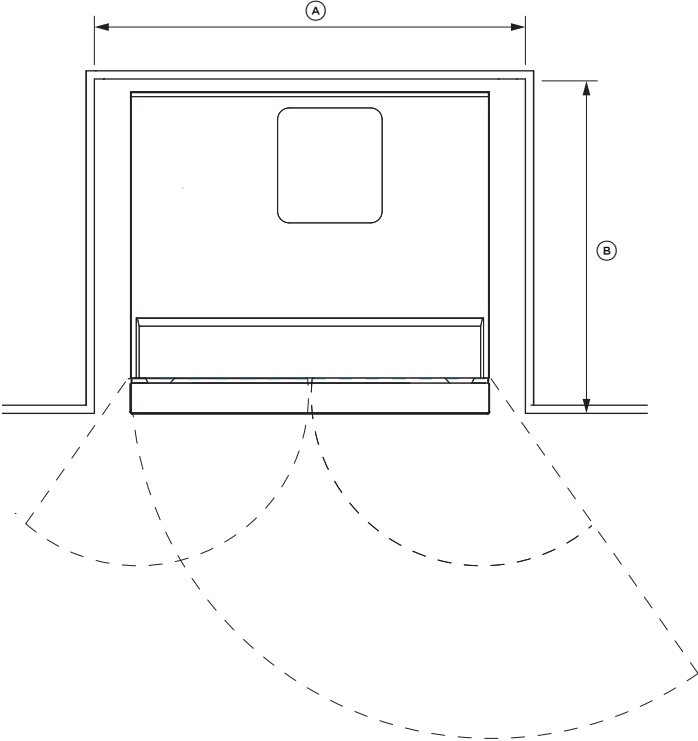
*The minimum cabinet gap above door panels is 10mm

**Water and electrical connections must not protrude from the wall if located behind the refrigerator.



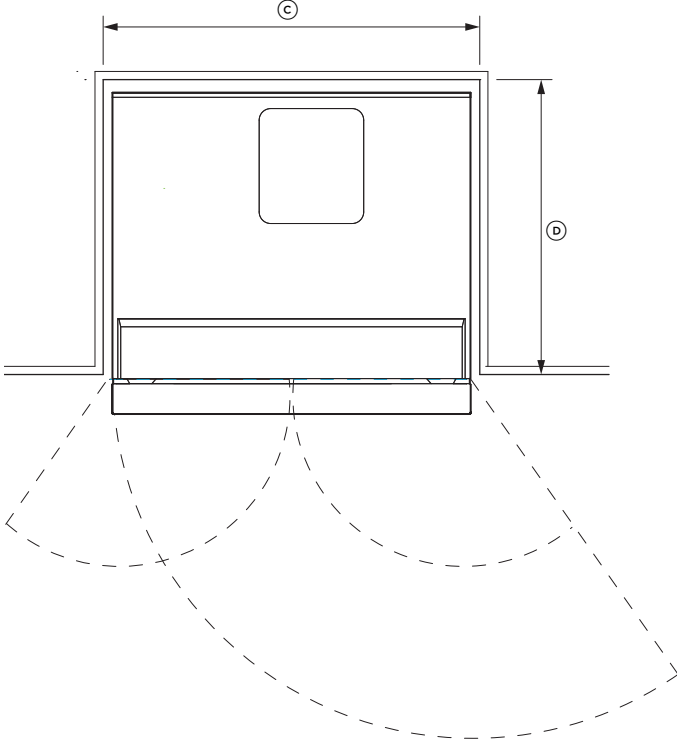
ISO VIEW CAVITY

The models shown in this Planning Guide may not be available in all markets and are subject to change at any time. Product specifications may vary from those shown. This Planning Guide should not be used as installation guidance for any product. Further information is required to safely and correctly install the products featured here. Specific installation guidance will be available with the product on delivery and on our website fisherpaykel.com



FLUSH TO DOOR - MAXIMUM OPENING

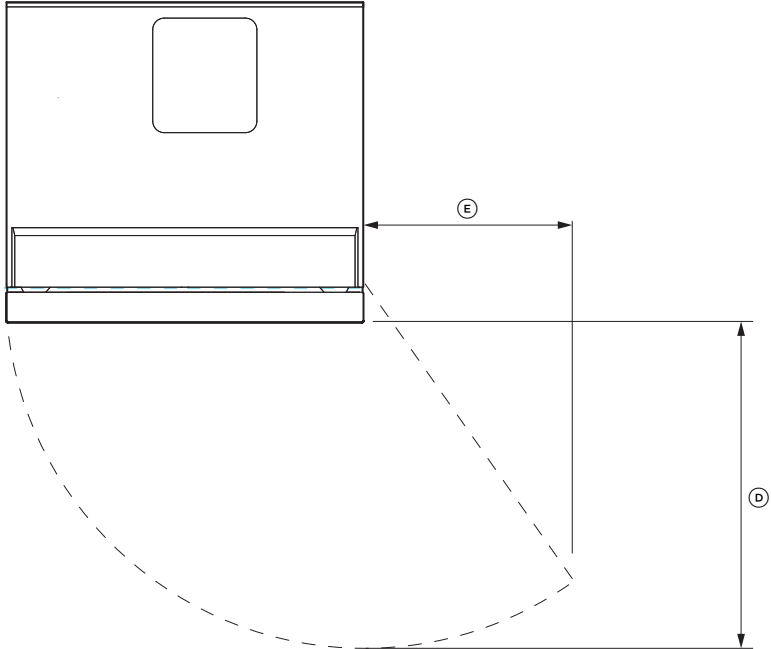
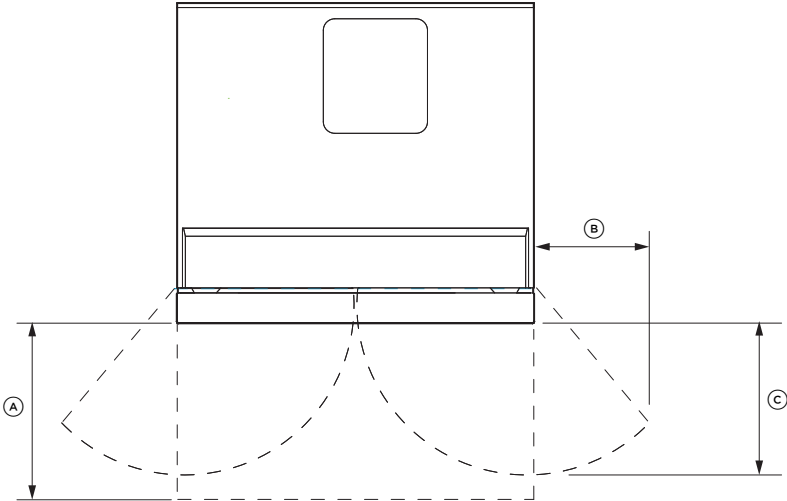
Dimensions	mm
Ⓐ Minimum cavity width	950
Ⓑ Minimum cavity depth	737



FLUSH TO CHASSIS - MAXIMUM OPENING

Dimensions	mm
Ⓒ Minimum cavity width	830
Ⓓ Minimum cavity depth	650

The models shown in this Planning Guide may not be available in all markets and are subject to change at any time. Product specifications may vary from those shown. This Planning Guide should not be used as installation guidance for any product. Further information is required to safely and correctly install the products featured here. Specific installation guidance will be available with the product on delivery and on our website fisherpaykel.com



FRENCH DOOR REFRIGERATOR FREEZER

Dimensions Maximum Opening	mm
Ⓐ Drawer open clearance	375
Ⓑ Door open distance from chassis	255
Ⓒ Door open clearance	341

REFRIGERATOR FREEZER

Dimensions Maximum Opening	mm
Ⓓ Door open clearance	720
Ⓔ Door open distance from chassis	462

The models shown in this Planning Guide may not be available in all markets and are subject to change at any time. Product specifications may vary from those shown. This Planning Guide should not be used as installation guidance for any product. Further information is required to safely and correctly install the products featured here. Specific installation guidance will be available with the product on delivery and on our website fisherpaykel.com

DESIGN PLANNING | VENTING SPECIFICATIONS

VENTING

A 50mm vent is required above the refrigerator or around an upper cupboard.



VENTING ABOVE REFRIGERATOR FREEZER

Dimensions	mm
Ⓐ Minimum cavity height	1735
Ⓑ Minimum vent	50

VENTING ABOVE UPPER CUPBOARD

Dimensions	mm
Ⓒ Minimum cavity height	1735
Ⓓ Minimum vent	50
Ⓔ Minimum vent	50

The models shown in this Planning Guide may not be available in all markets and are subject to change at any time. Product specifications may vary from those shown. This Planning Guide should not be used as installation guidance for any product. Further information is required to safely and correctly install the products featured here. Specific installation guidance will be available with the product on delivery and on our website fisherpaykel.com

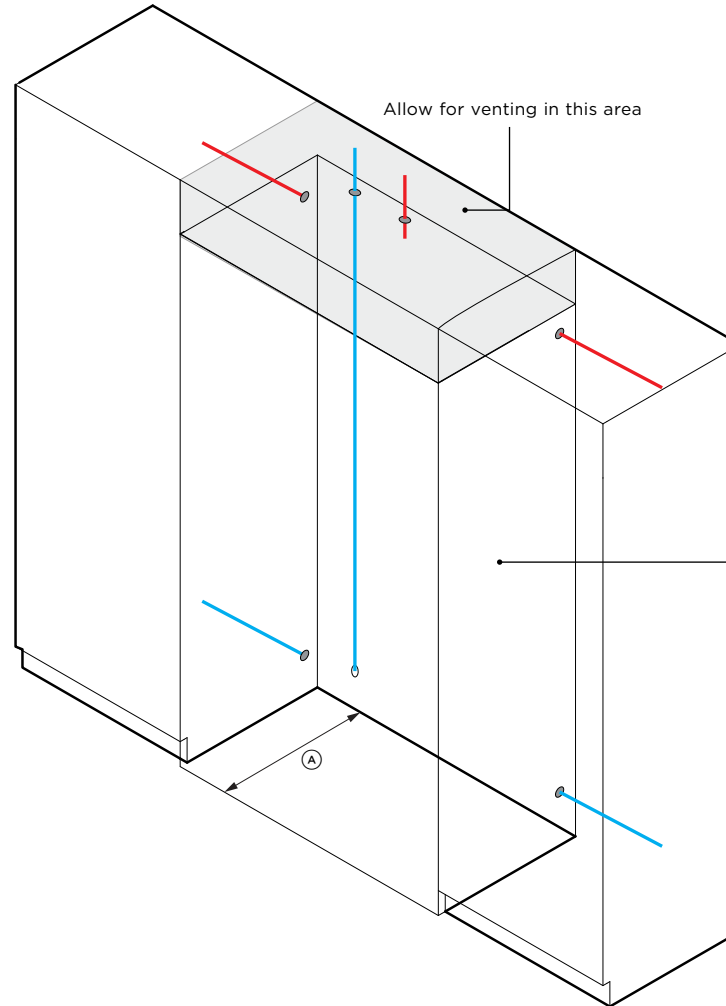
SERVICE SPECIFICATIONS

Electrical and water connections should be located in an adjacent cabinet to either side, or above the refrigerator cavity.

Ensure that the power and water connection is accessible after installation.

Cavity Dimensions		mm
Ⓐ	Minimum cavity depth*	
	Flush to door	737
	Flush to chassis	650

*For minimum cavity depths with surrounding cabinetry, water and electrical connections must not protrude from the wall if located behind the refrigerator.
Allow for an 80mm bend radius for the water hose.



**ISO VIEW - CAVITY
HOSE & ELECTRICAL ROUTING OPTIONS**

The models shown in this Planning Guide may not be available in all markets and are subject to change at any time. Product specifications may vary from those shown. This Planning Guide should not be used as installation guidance for any product. Further information is required to safely and correctly install the products featured here. Specific installation guidance will be available with the product on delivery and on our website fisherpaykel.com

SERVICES

Electrical / Plumbing Specifications

RF505ANUX1 French Door Refrigerator Freezer

Specifications

Electrical

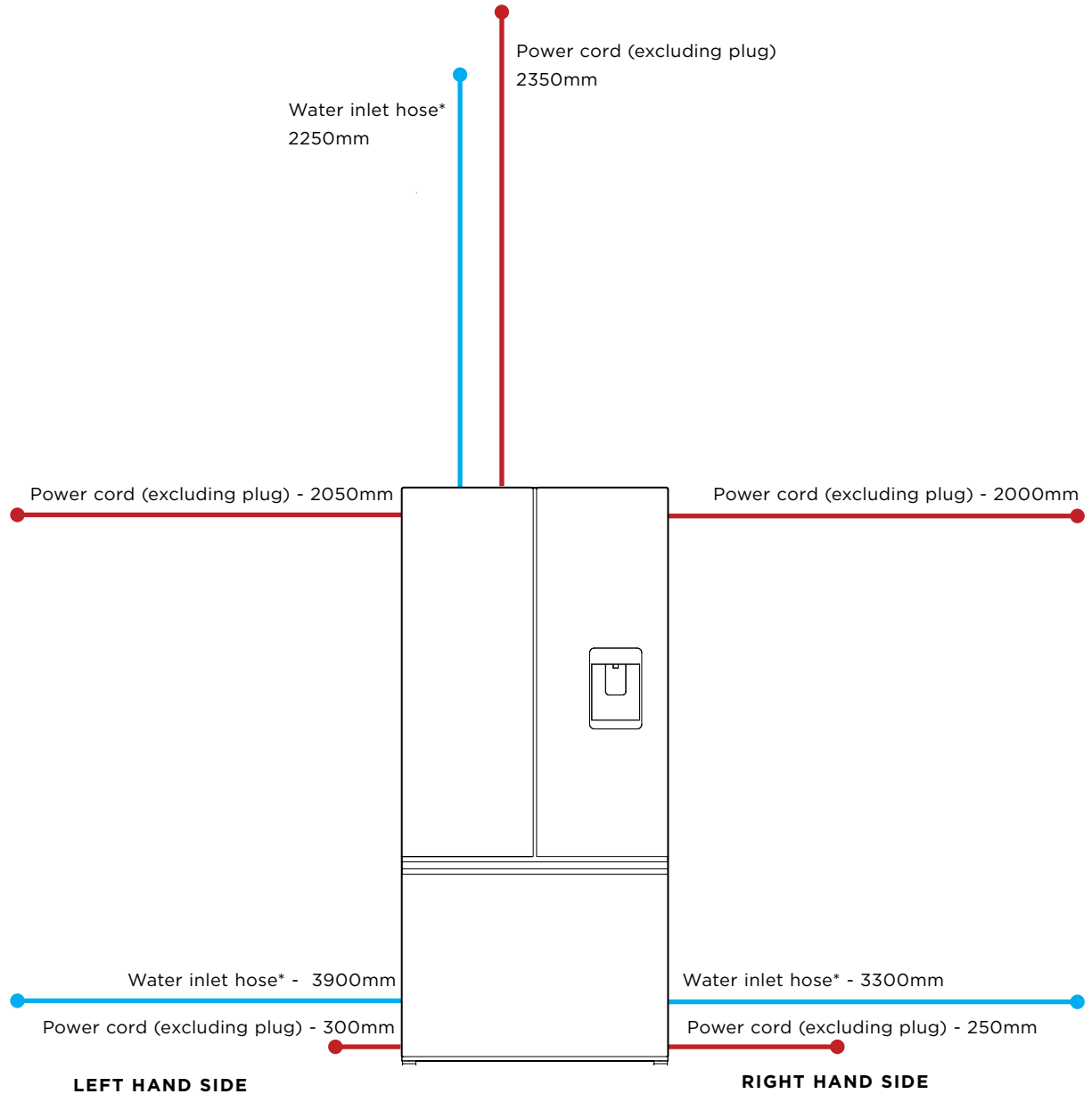
Supply	220V - 240V, 50Hz
Service	10 A circuit

Plumbing

Water Supply	1/4" LLDPE piping
Pressure	Min 150 kPa (22 psi) Max 827 kPa (120 psi) @ 68°F (20°C)

*Water inlet hose dimensions apply to ice and water models only.

Connections may be located in an adjacent cabinet to either side of the fridge or above the fridge cavity.



The models shown in this Planning Guide may not be available in all markets and are subject to change at any time. Product specifications may vary from those shown. This Planning Guide should not be used as installation guidance for any product. Further information is required to safely and correctly install the products featured here. Specific installation guidance will be available with the product on delivery and on our website fisherpaykel.com

Electrical / Plumbing Specifications

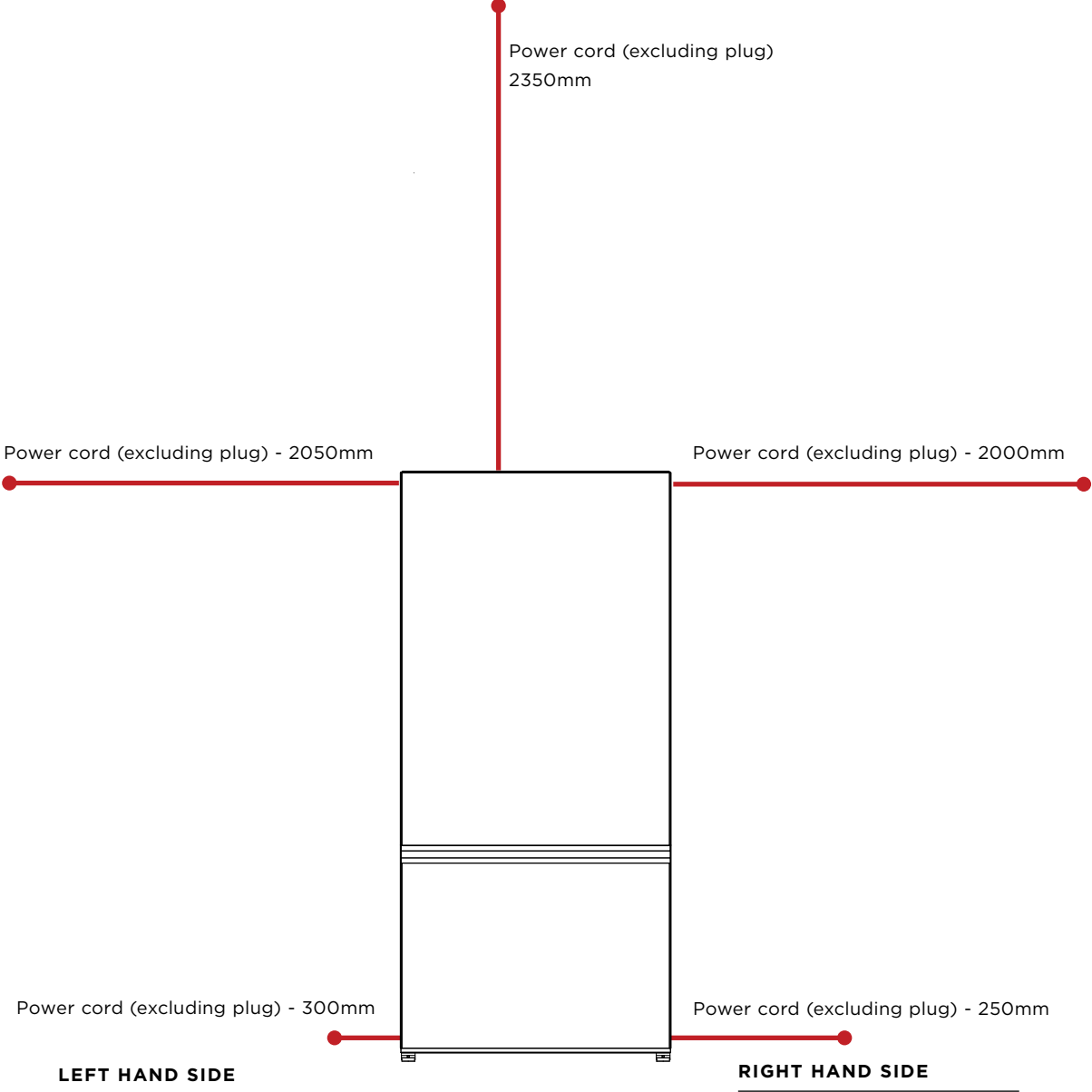
RF505BRNQX1 Refrigerator Freezer

Specifications

Electrical

Supply	220V - 240V, 50Hz
Service	10 A circuit

Connections may be located in an adjacent cabinet to either side of the fridge or above the fridge cavity.



The models shown in this Planning Guide may not be available in all markets and are subject to change at any time. Product specifications may vary from those shown. This Planning Guide should not be used as installation guidance for any product. Further information is required to safely and correctly install the products featured here. Specific installation guidance will be available with the product on delivery and on our website fisherpaykel.com

